

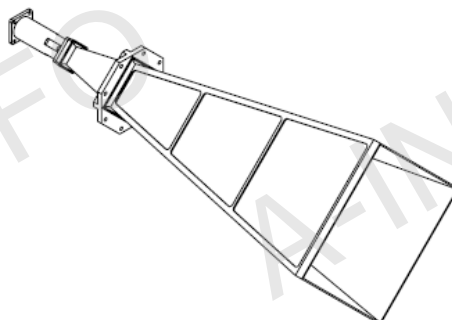
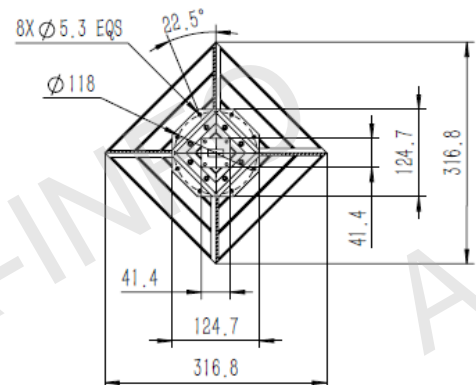
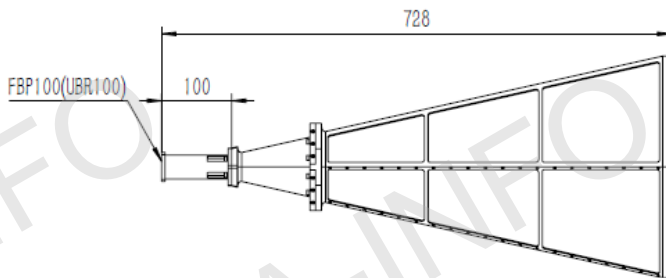
## Technical Specification



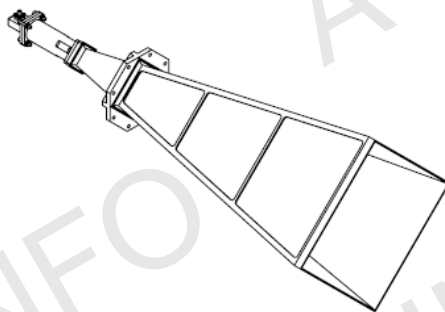
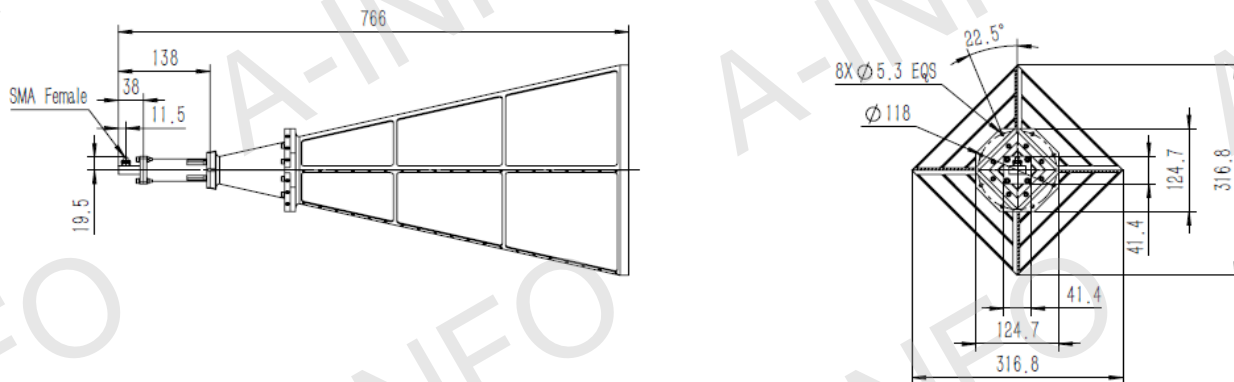
Frequency Range(GHz)	8.2-12.4
Waveguide	WR90
Gain(dBi)	25 Typ.
Polarization	Linear
3dB Beamwidth(deg)	E Plane: 9 Typ.
	H Plane: 9 Typ.
Sidelobe(dB)	E Plane: -35 Max.
	H Plane: -35 Max.
Cross Pol. Isolation(dB)	-40Typ.
VSWR	A Type: 1.2:1 Max.
	C Type: 1.5:1 Max.
Output	A Type: FBP100(UBR100)
	C Type: SMA-Female or N-Female
Material	Al
Size(mm)	A Type: 316.8 x 316.8 x 728
	C Type: 316.8 x 316.8 x 766
Net Weight(Kg)	A Type: 2.44 Around
	C Type: 2.52 Around

## Outline Drawing (Size: mm)

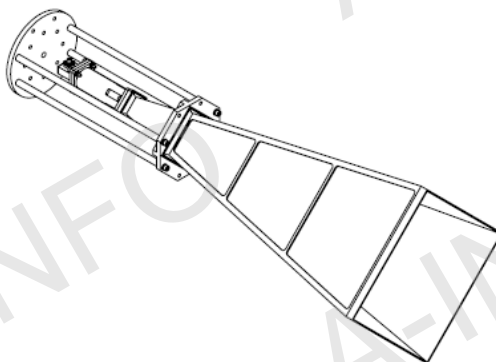
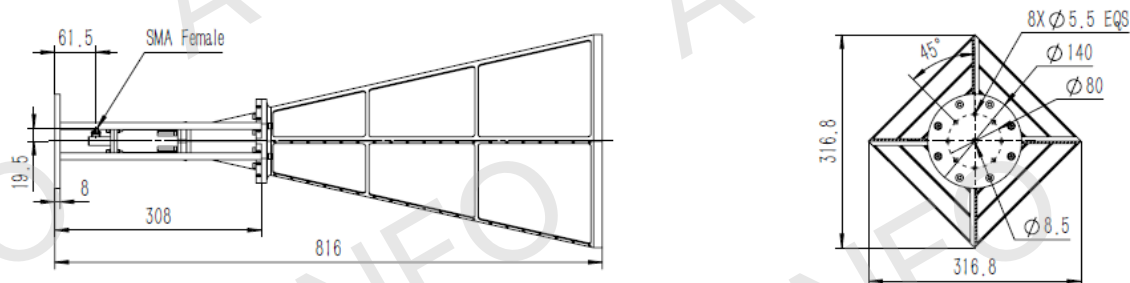
A Type(With FBP100 Output)



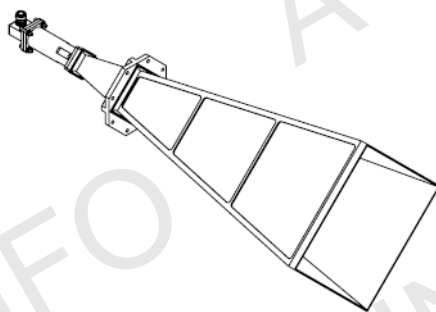
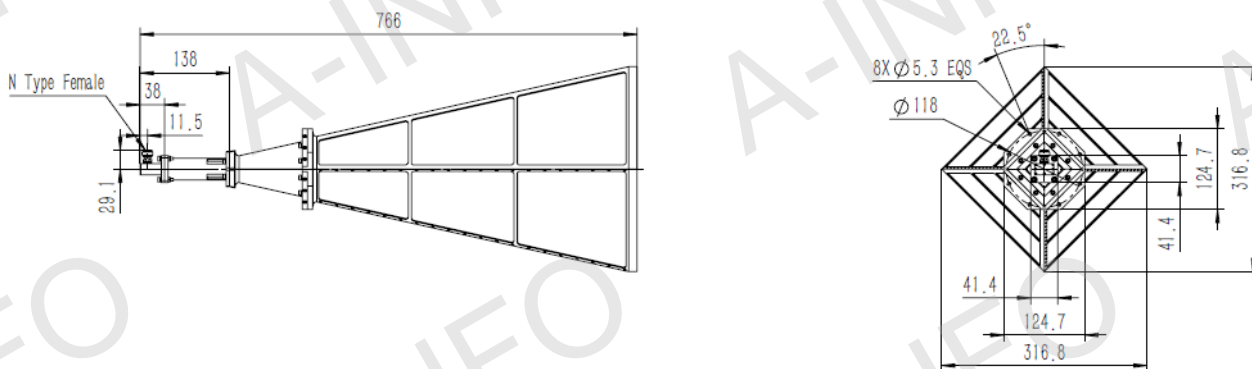
## C Type (With SMA Female Output)



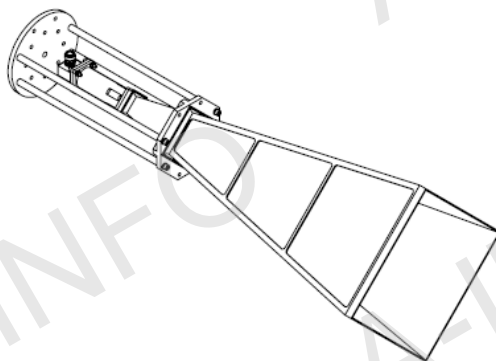
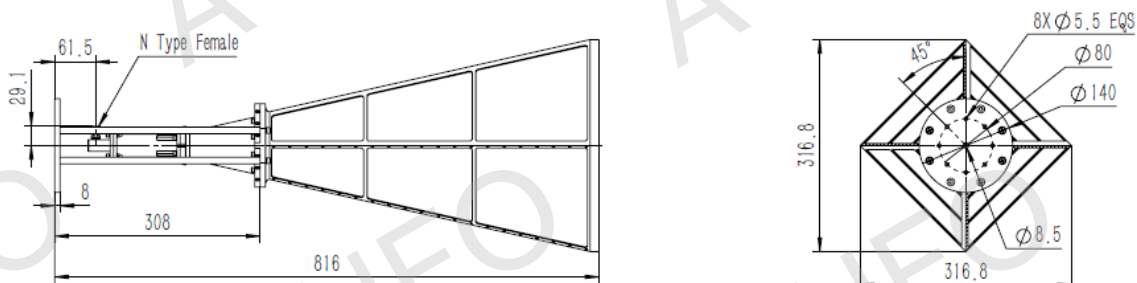
## C Type (With SMA Female Output & Round Mounting Bracket)



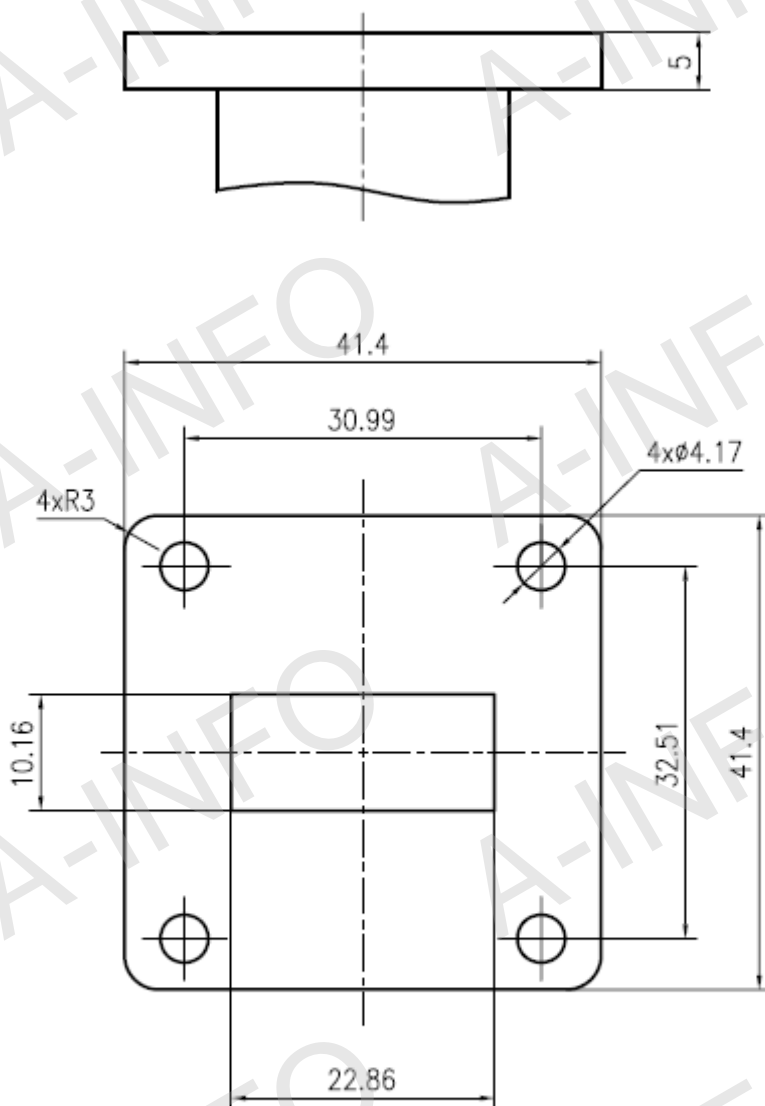
**C Type (With N Type Female Output)**



**C Type (With N Type Female Output & Round Mounting Bracket)**



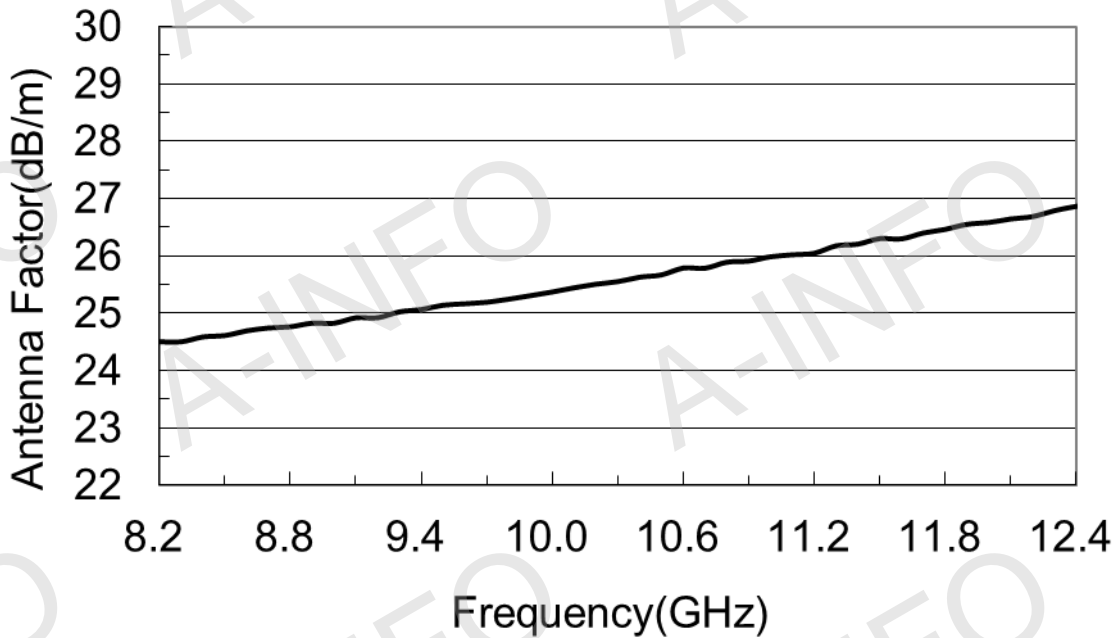
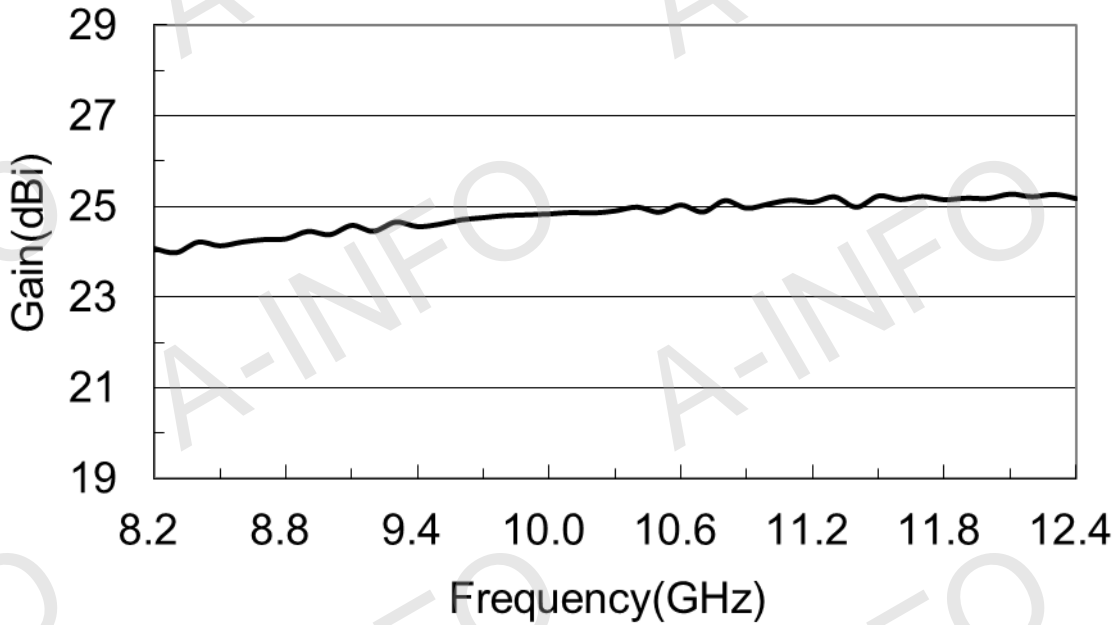
## Flange Drawing (Size: mm)



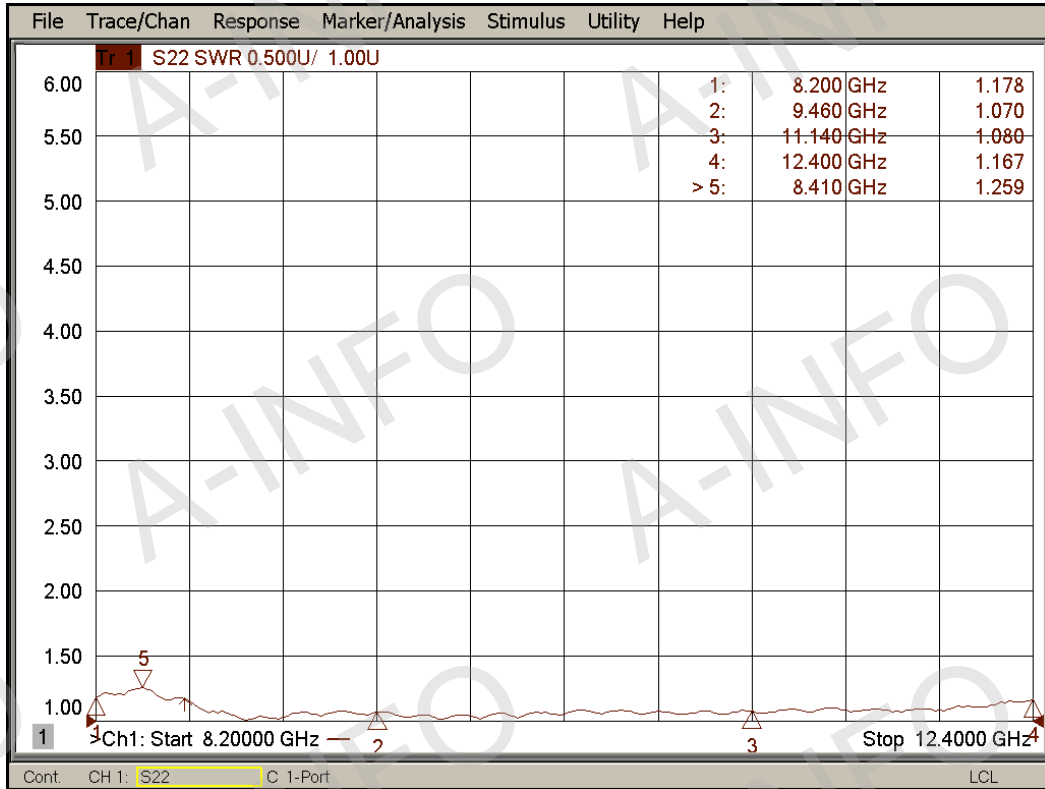
FBP100

## Test Results

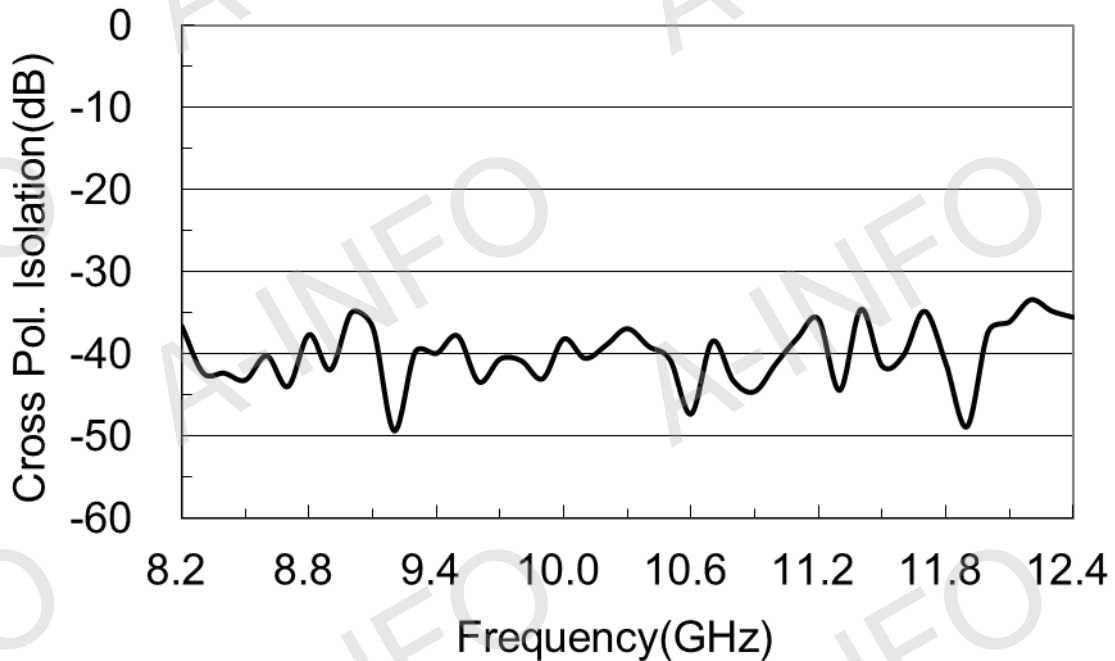
### 1. Gain and Antenna Factor



## 2. VSWR



## 3. Cross Polarization Isolation



## 4. Pattern

