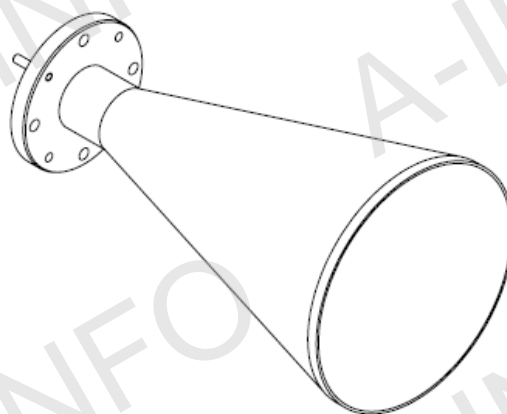
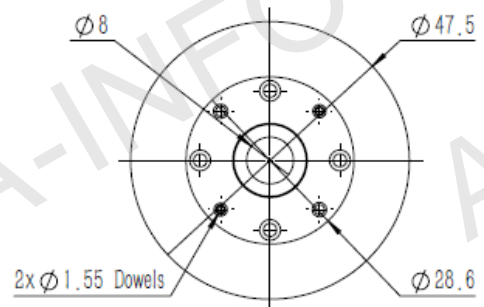
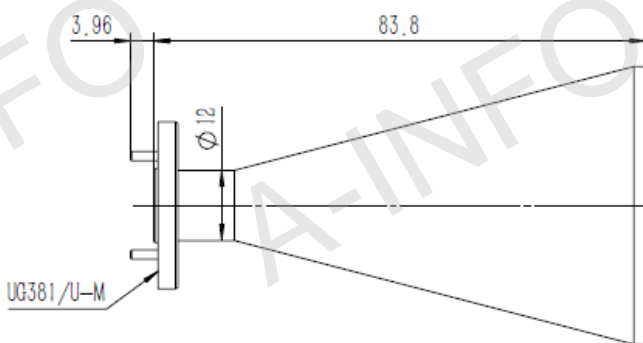


Technical Specification

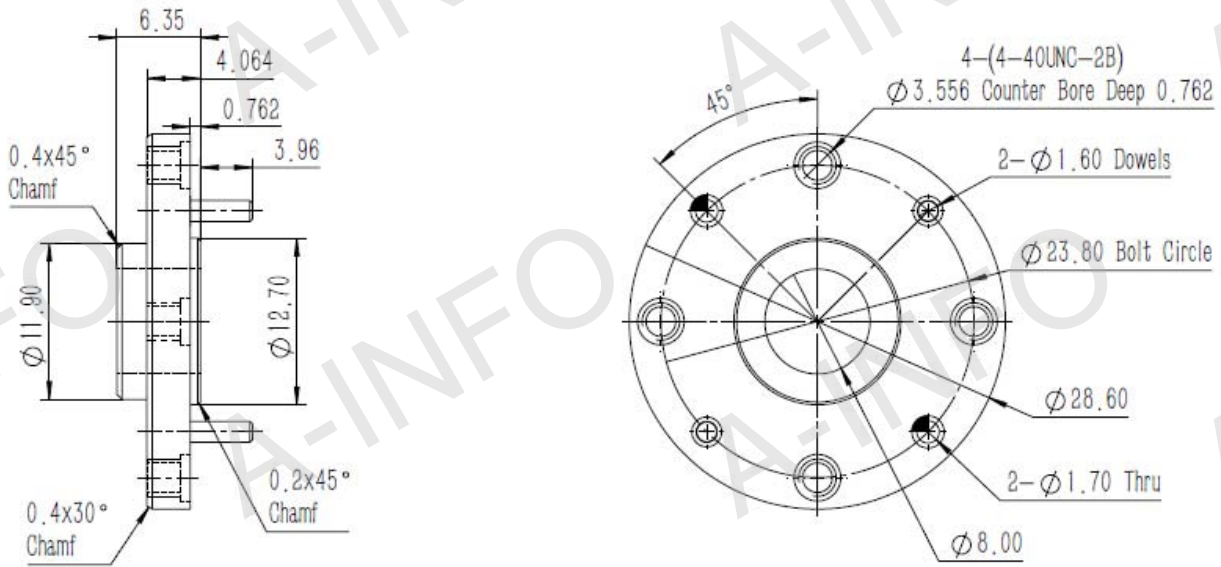


Frequency Range(GHz)	26.0 - 33.0
Circular WG Size (mm/inch)	8.0 / 0.315
Gain(dBi)	20 Typ.
3dB Beamwidth(deg)	E Plane: 15 Typ.
	H Plane: 13 Typ.
Cross Pol. Isolation(dB)	-30 Typ.
VSWR	1.25:1 Max.
Flange	UG-381/U-M
Material	Cu
Size(mm)	Φ47.5 x 83.8
Net Weight(Kg)	0.08 Around

Outline Drawing (Size: mm)



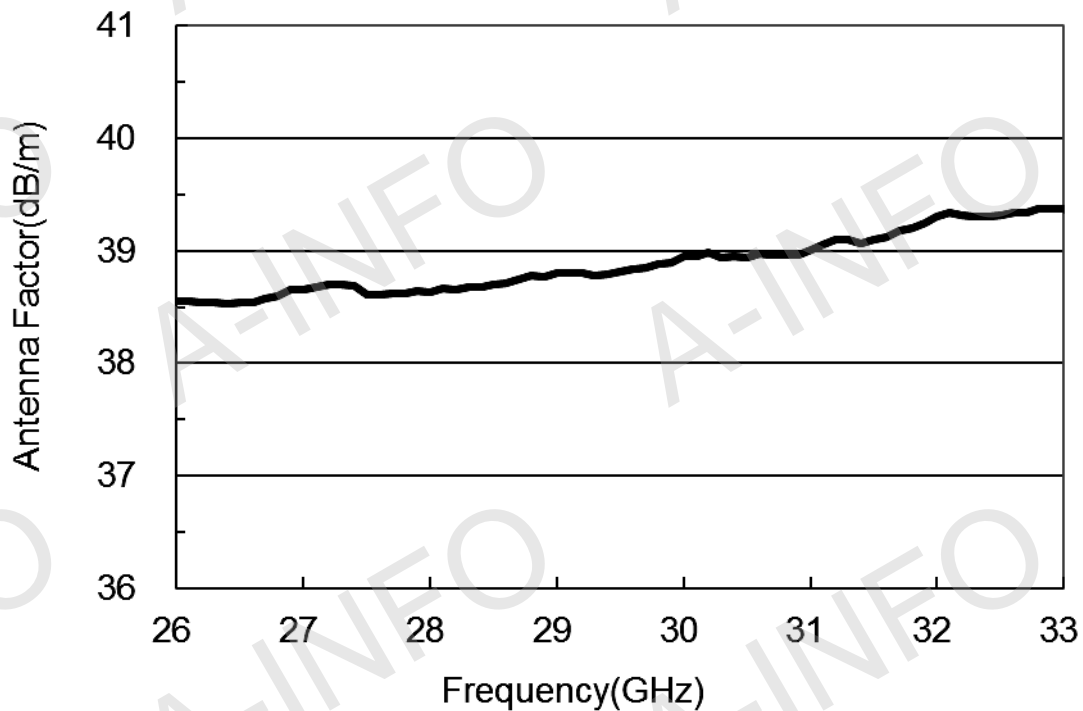
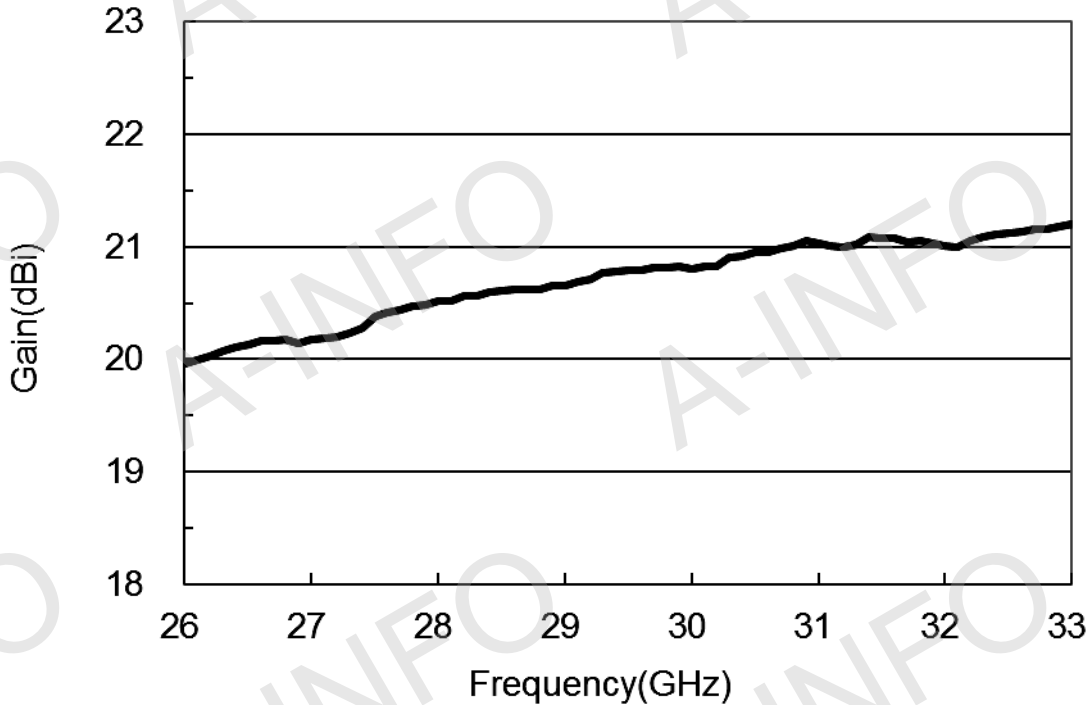
Flange Drawing (Size: mm)



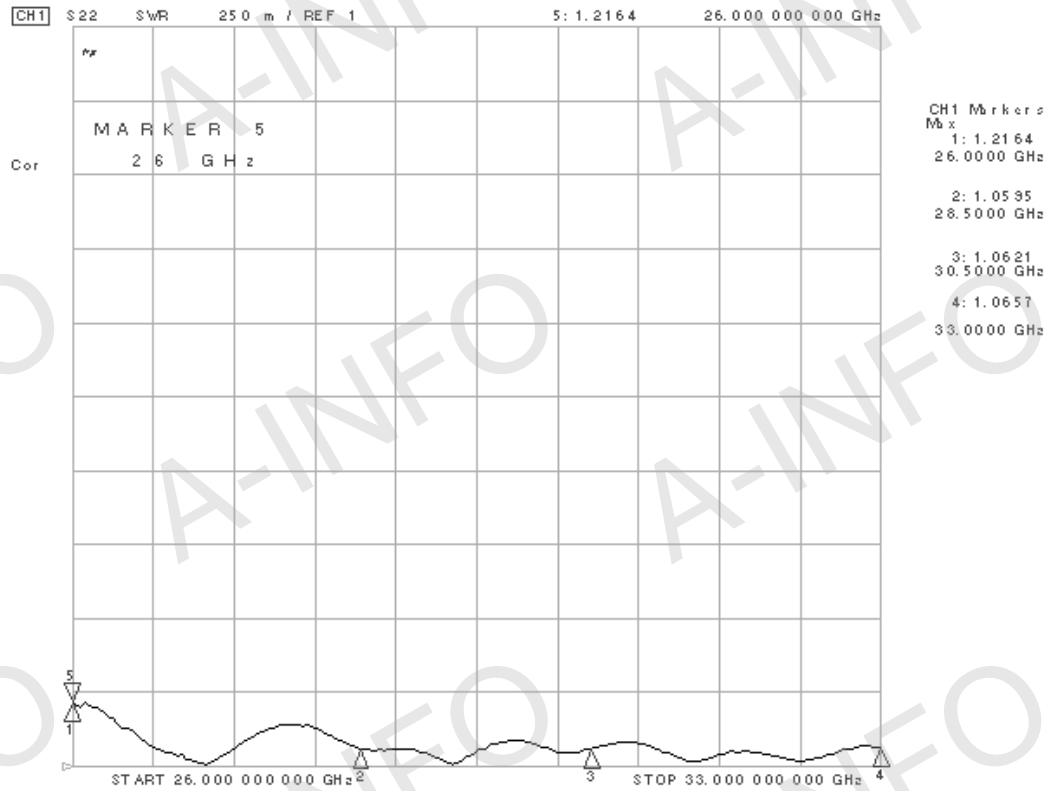
UG381/U-M

Test Results (Including circular to rectangular transition)

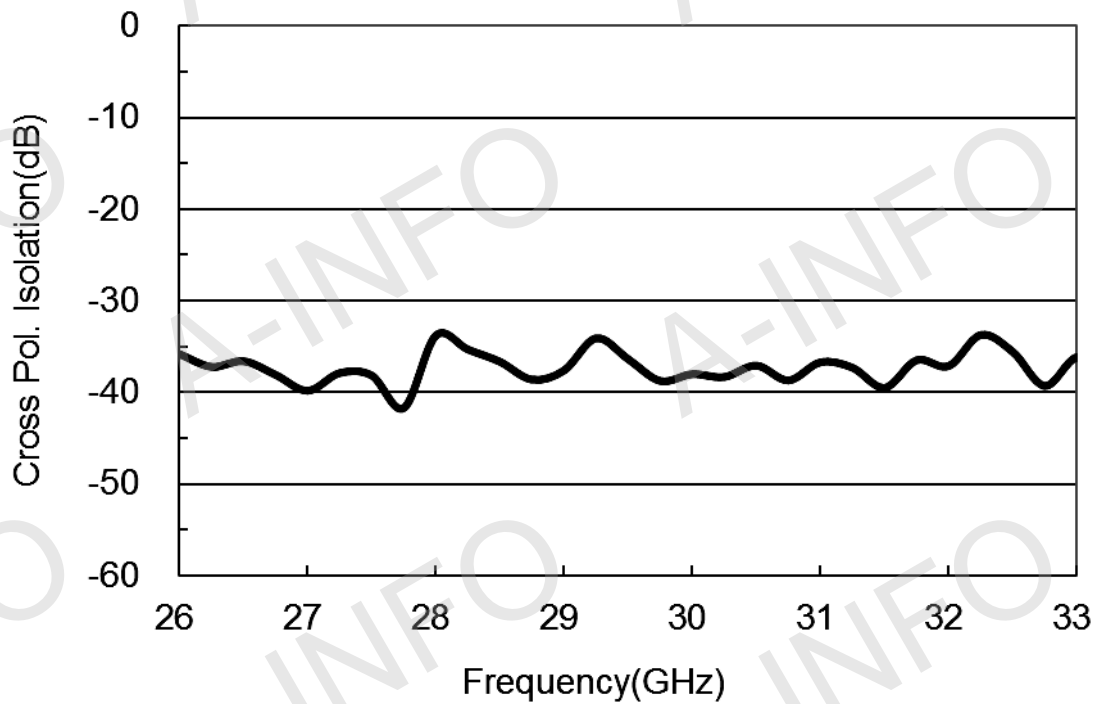
1. Gain and Antenna Factor



2. VSWR



3. Cross Polarization Isolation



4. Pattern

