

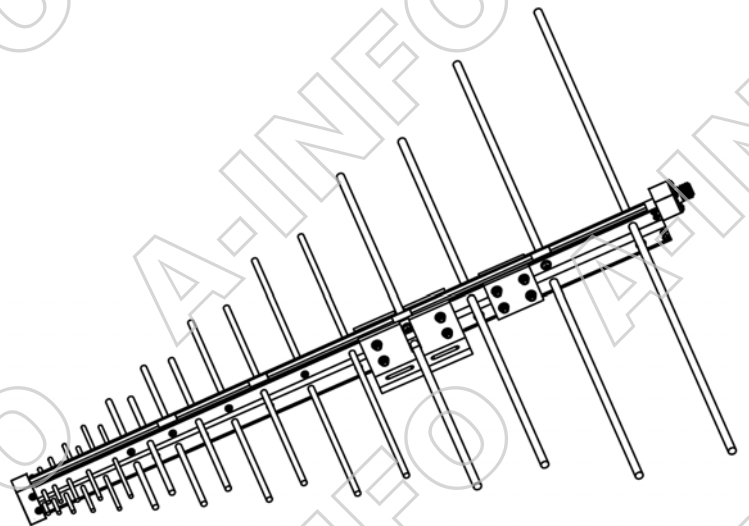
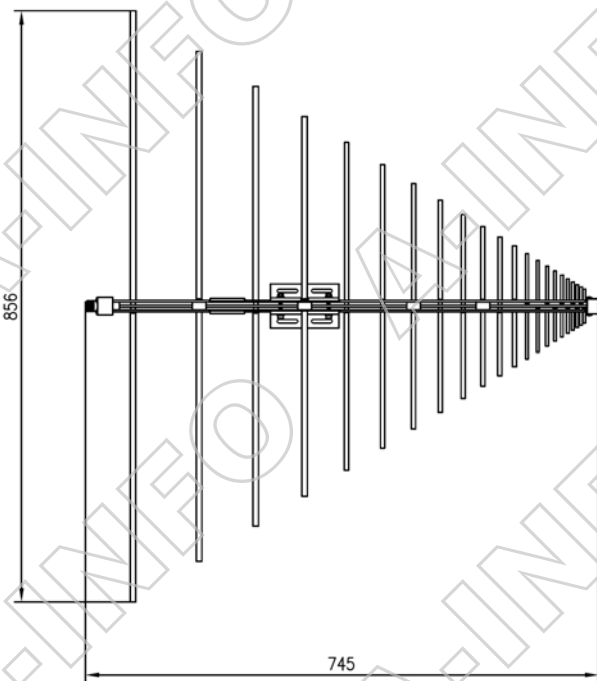
Technical Specification



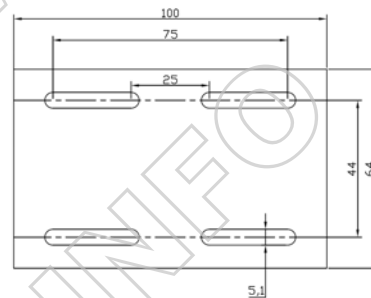
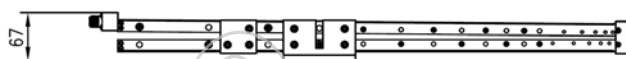
The picture is for reference only.

Frequency Range(GHz)	0.2 - 3.0
Gain(dB)	6 Typ.
Polarization	Linear
VSWR	2.0 Typ.
Connector	N-Female
Size(mm)	856 x 745
Net Weight(Kg)	1.0 Around

Outline Drawing (Size: mm)

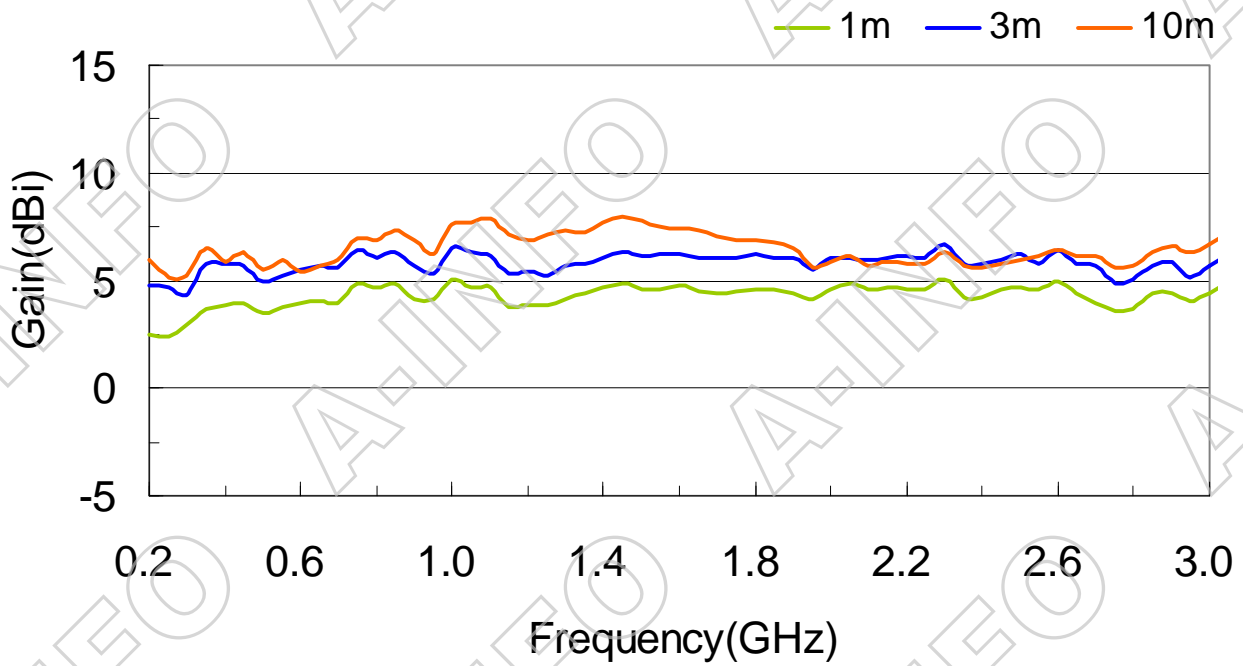


Mounting Bracket

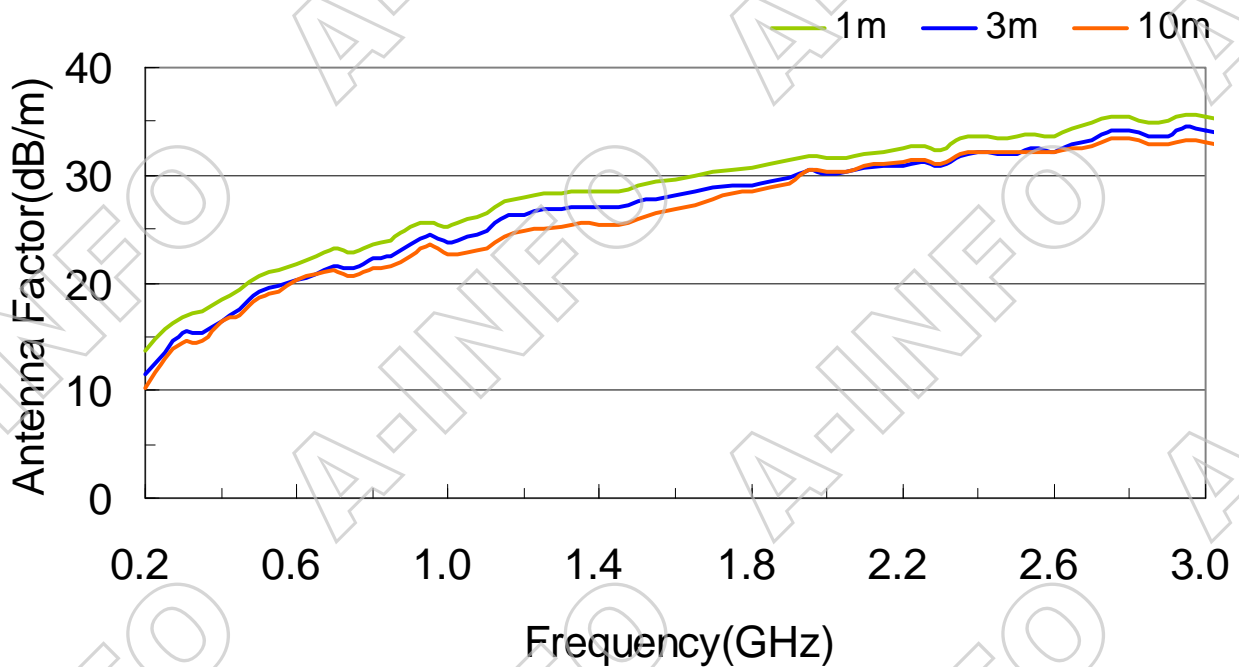


Test Results

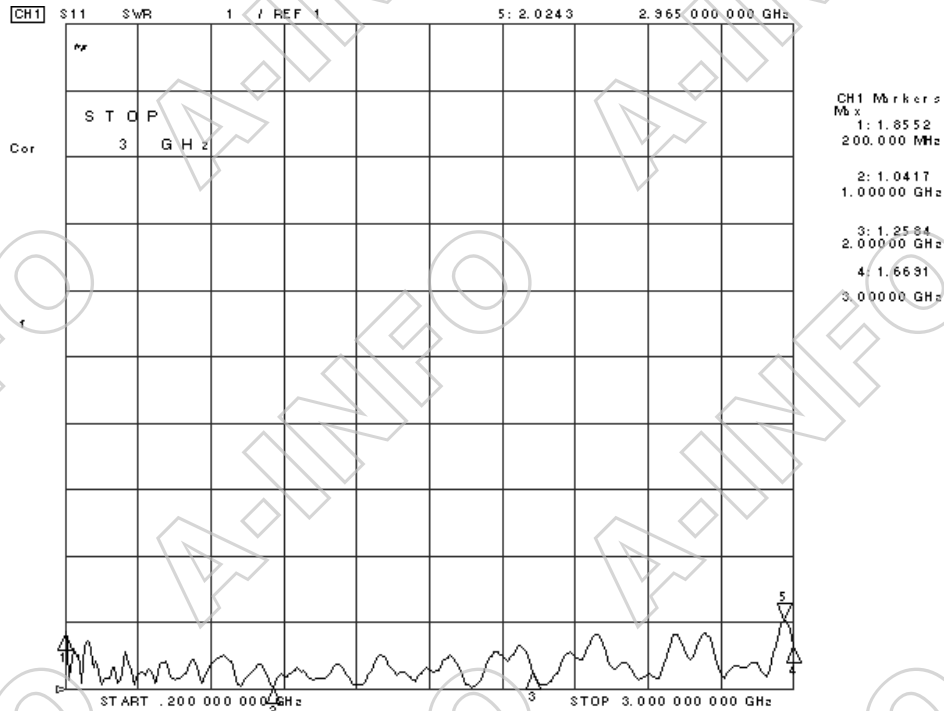
1. Gain



2. Antenna Factor



3. VSWR



4. Pattern

