

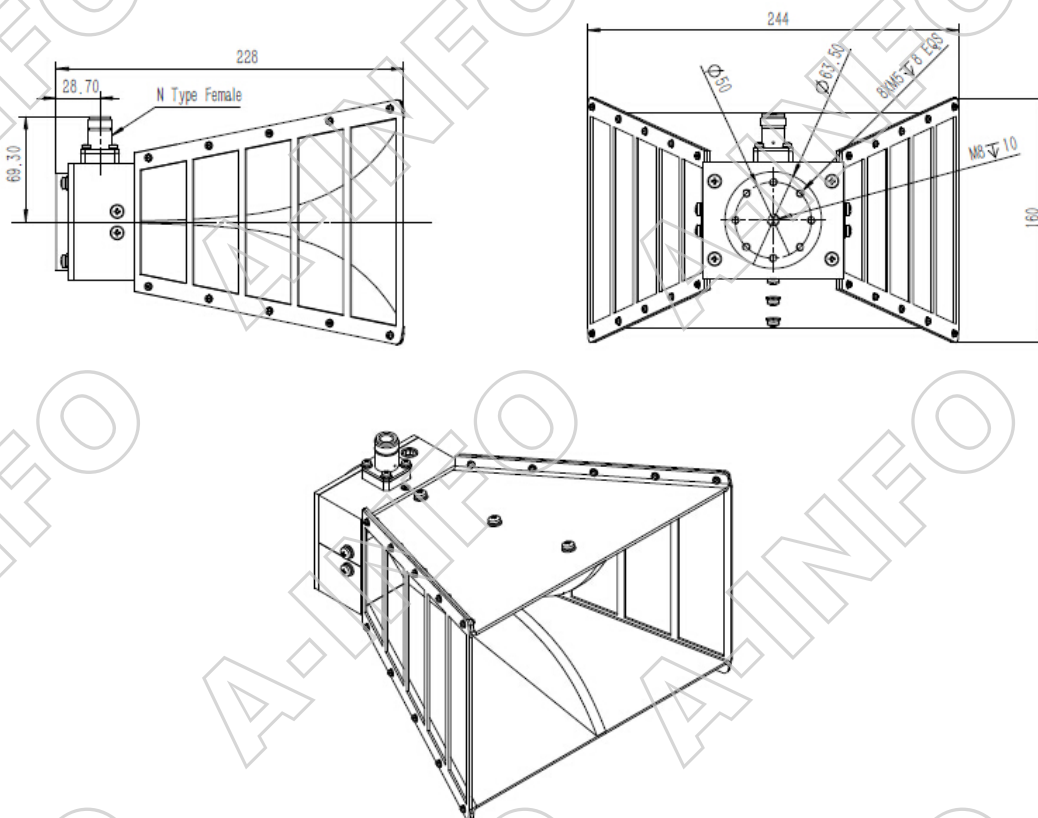
## Technical Specification



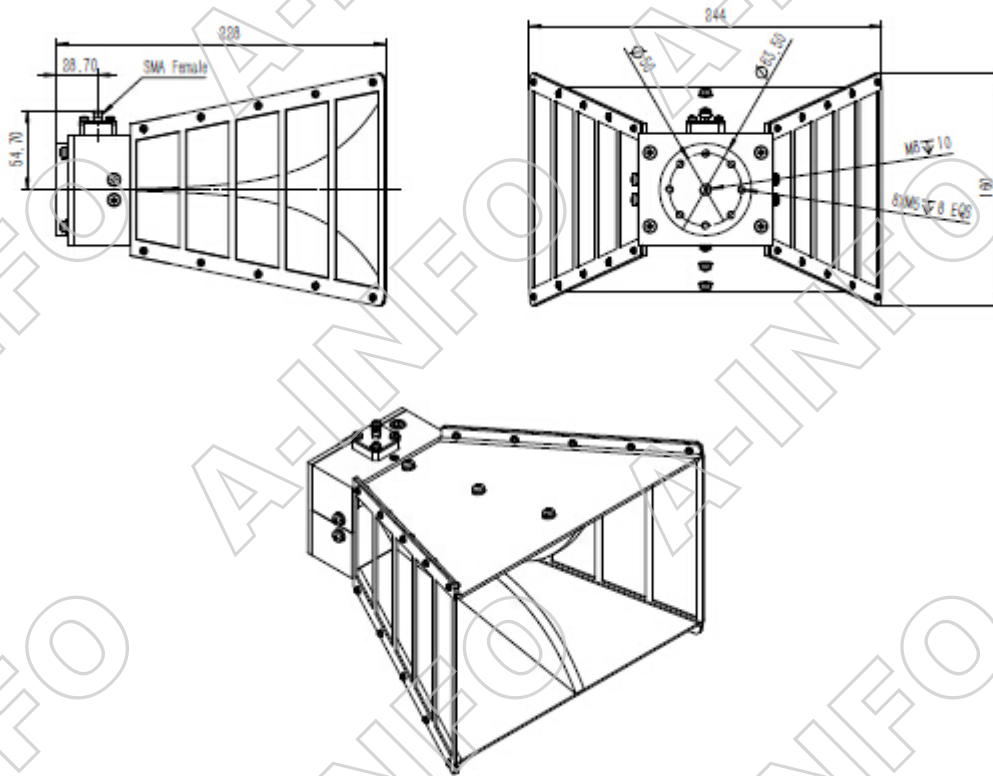
Frequency Range(GHz)	0.8 - 18.0	
Gain(dB)	12 Typ.	
Polarization	Linear	
VSWR	2.0:1 Typ.	
Connector	N-F or SMA-F	
Power Handling(W)	N-F	300 Max. CW
	SMA-F	50 Max. CW
Size(mm)	244x160x230	
Net Weight(Kg)	1.5 Around	

## Outline Drawing (Size: mm)

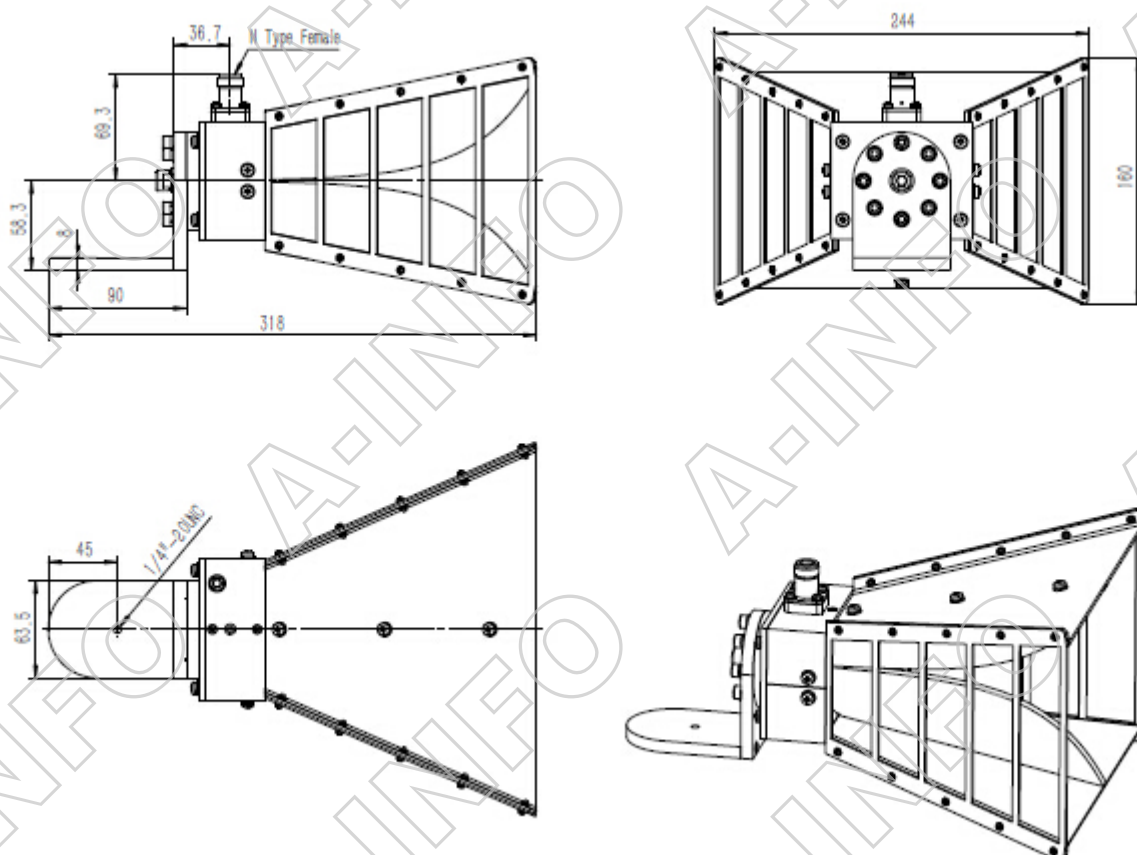
N Type Female Output



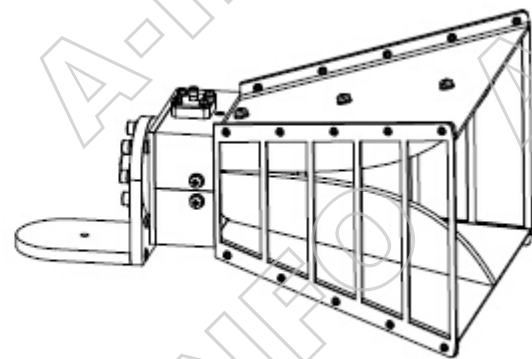
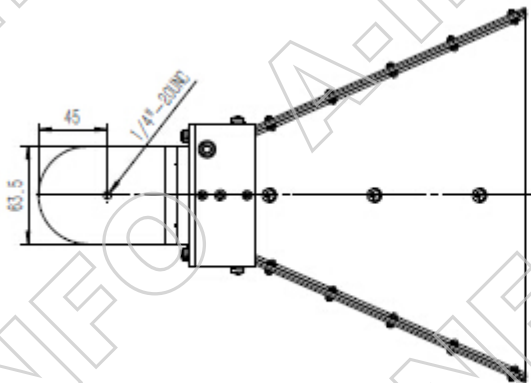
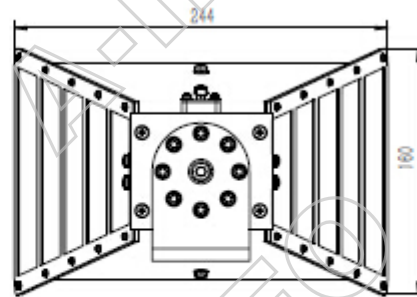
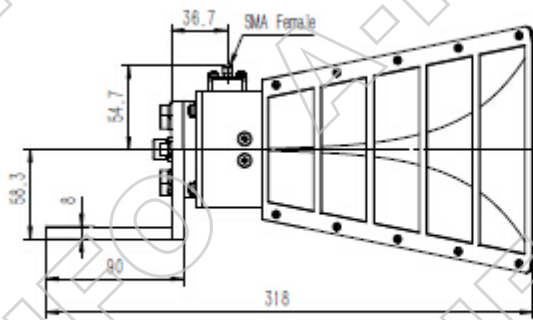
## SMA Type Female Output



## N Type Female Output with L type mounting bracket



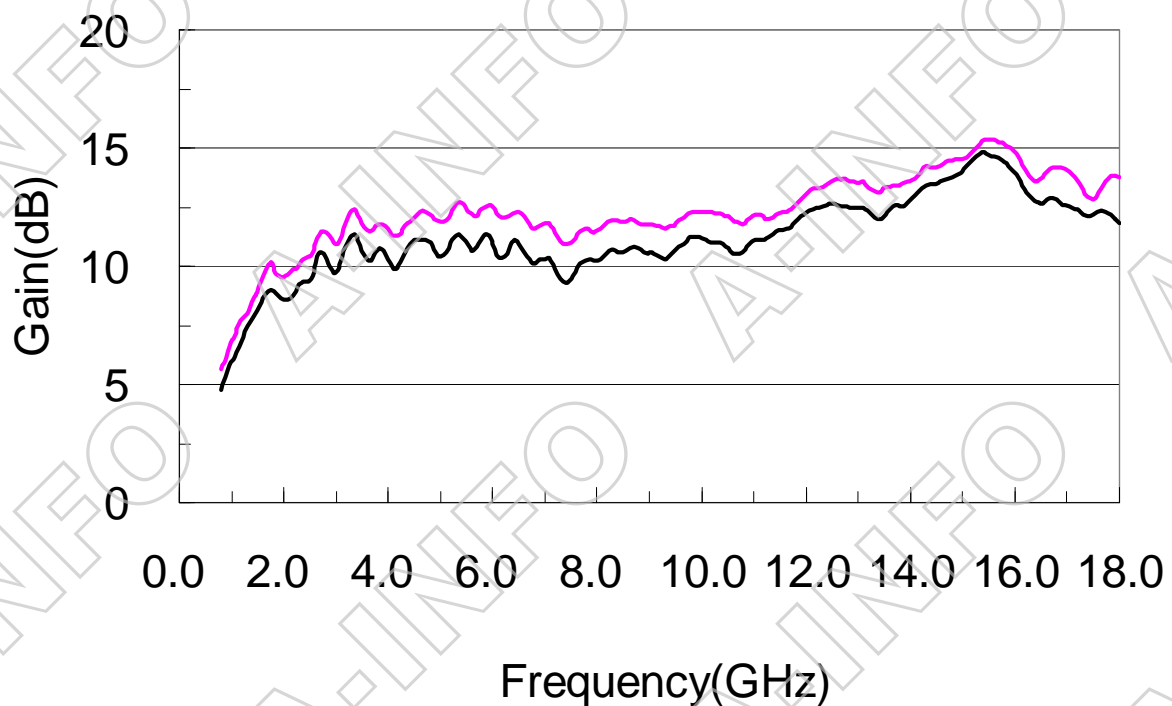
SMA Type Female Output with L type mounting bracket

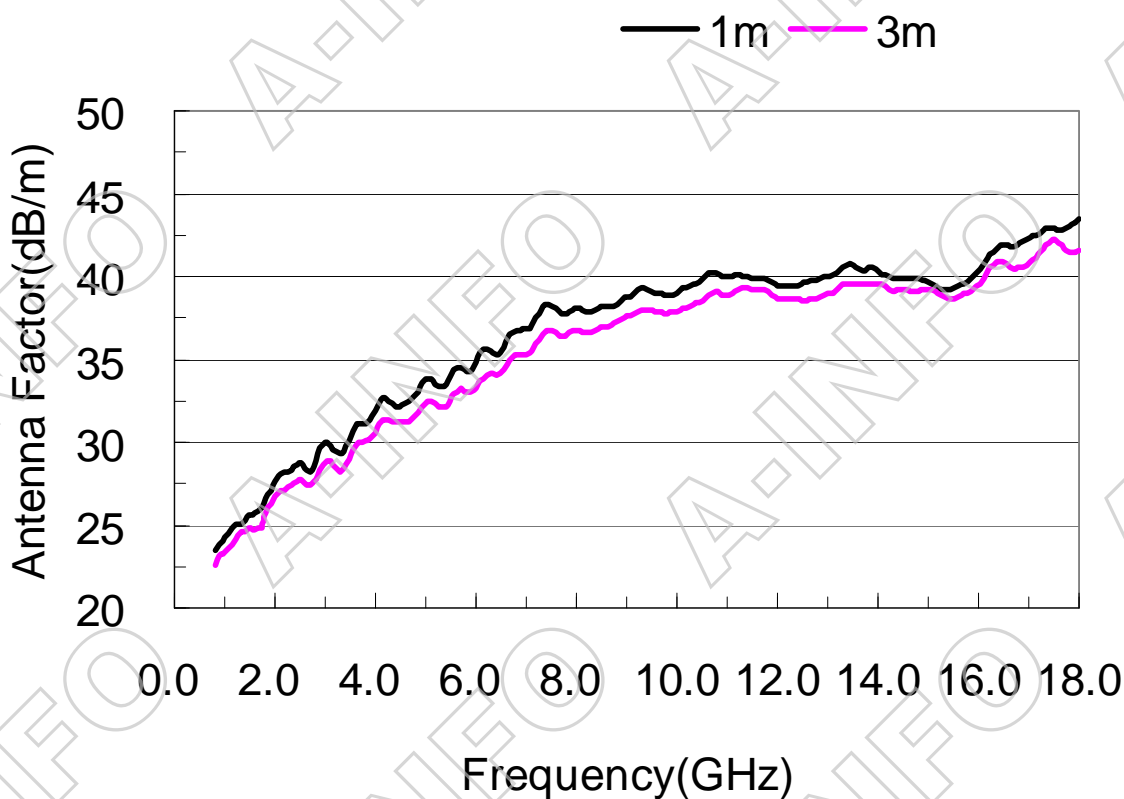


## Test Results

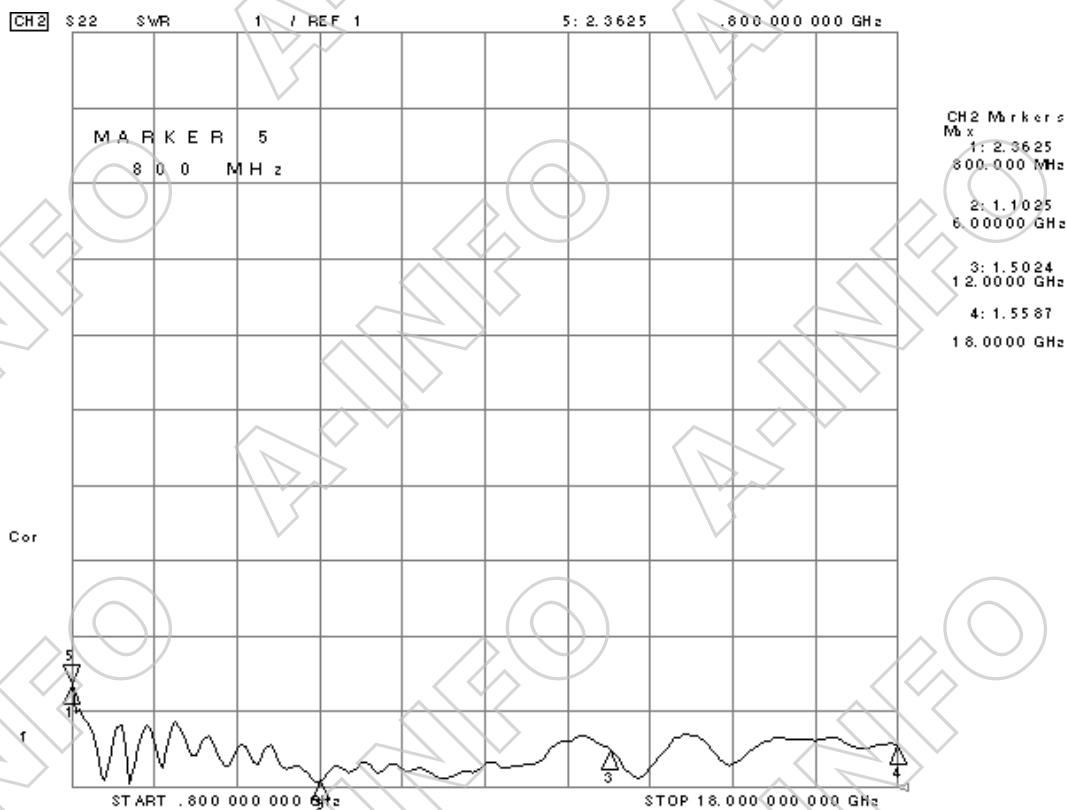
### 1. Gain and Antenna Factor

— 1m — 3m

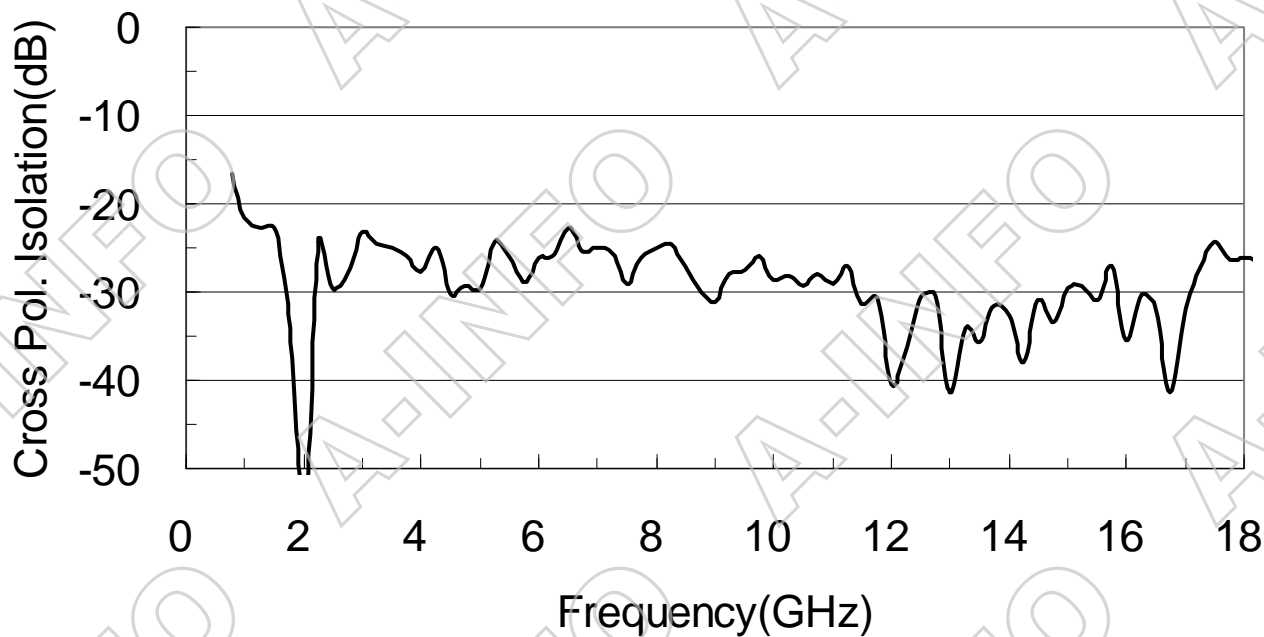




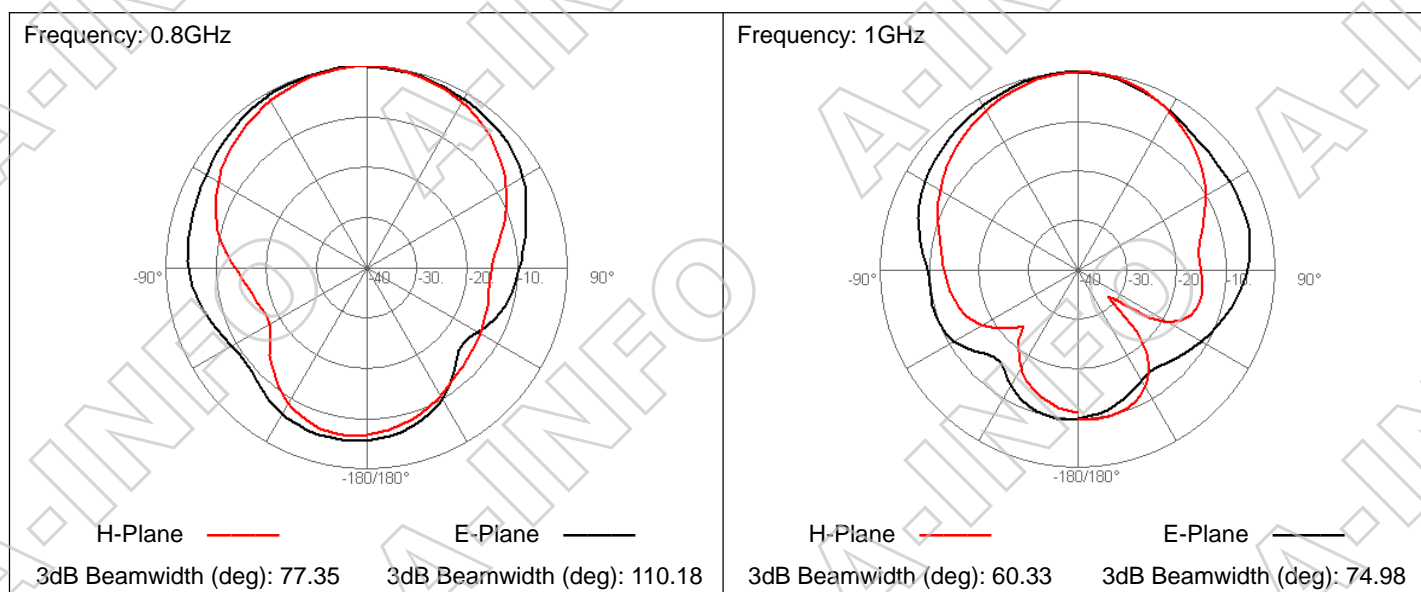
## 2. VSWR

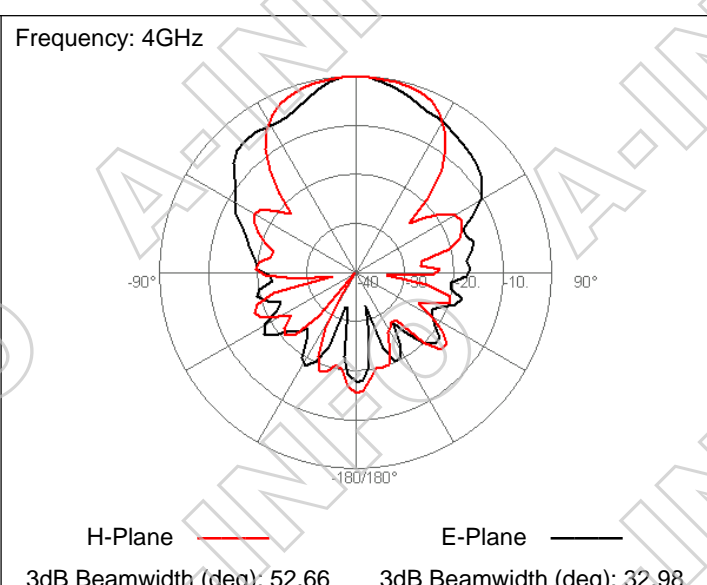
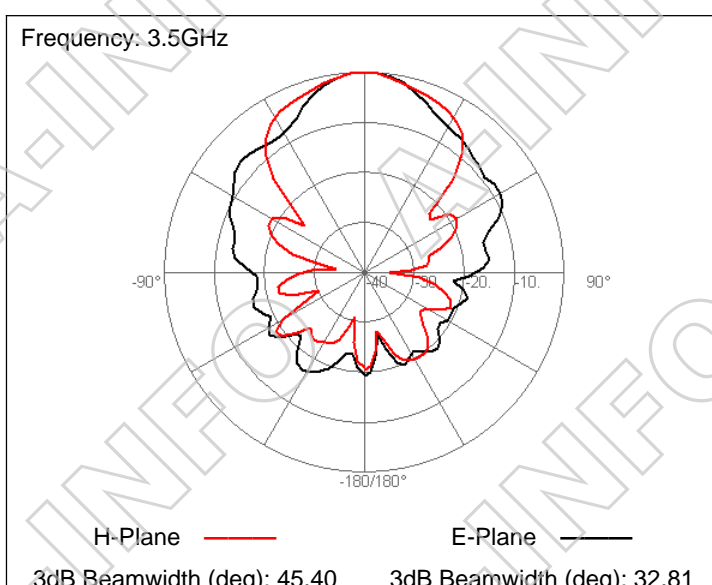
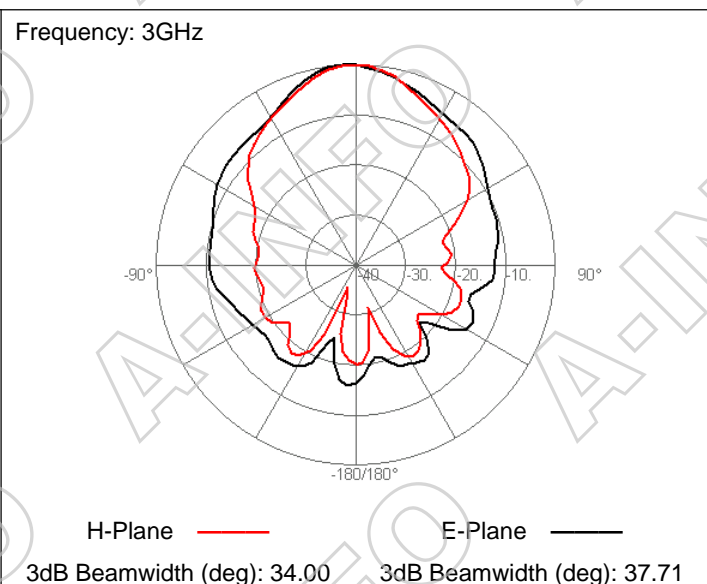
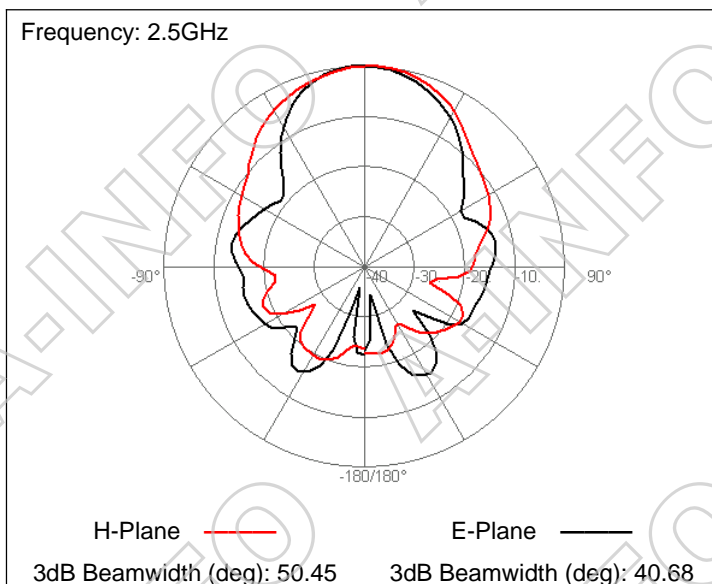
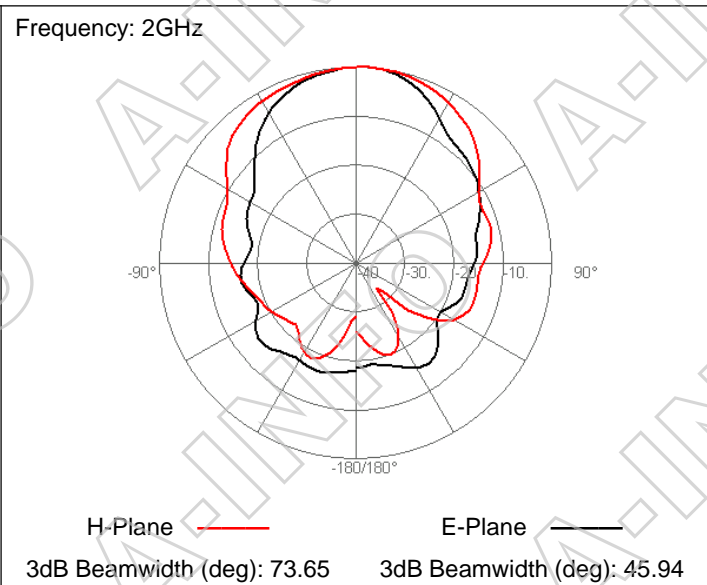
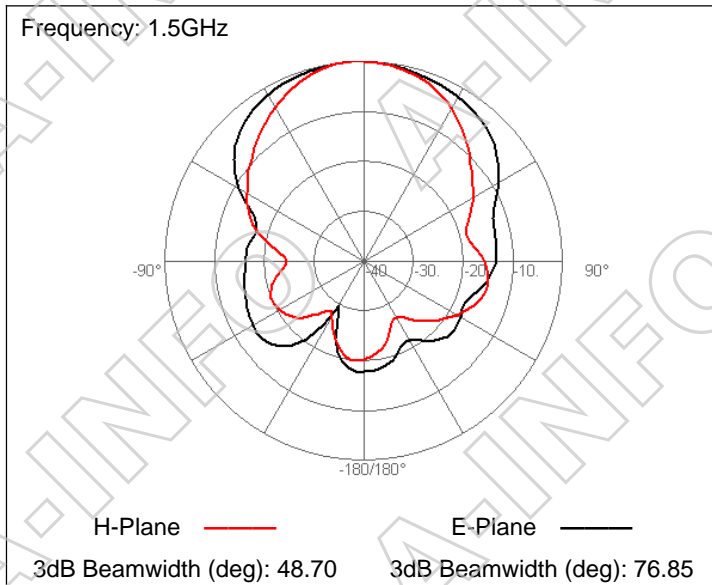


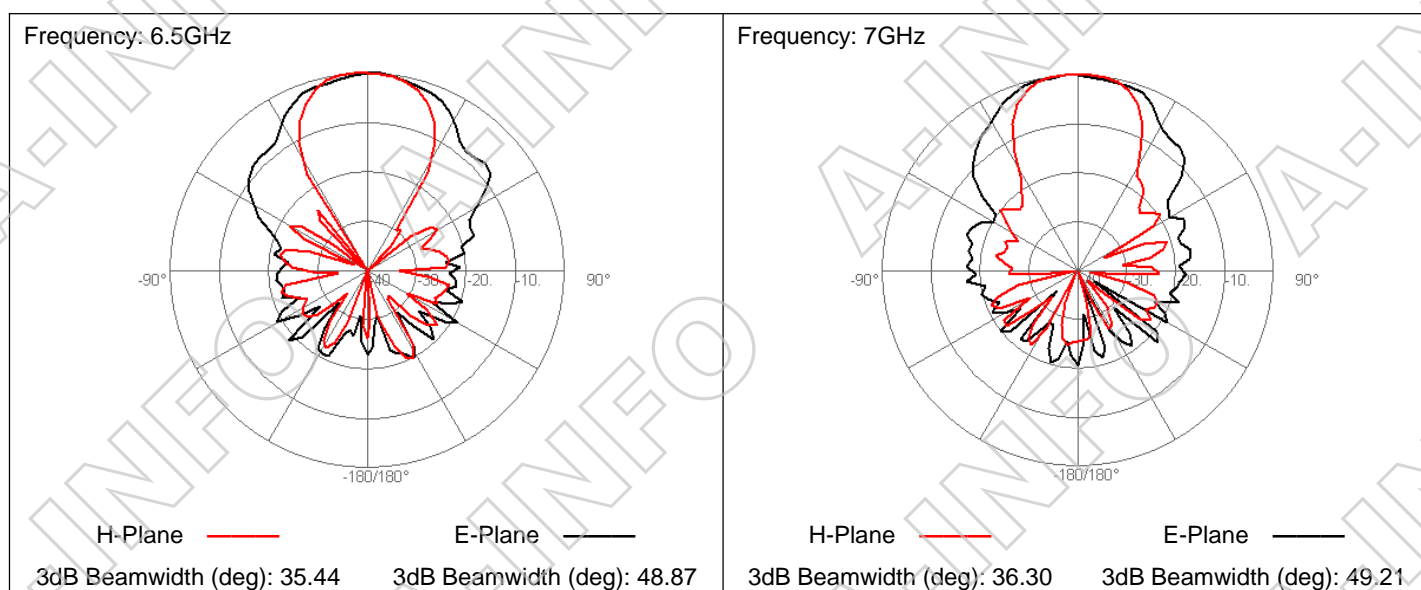
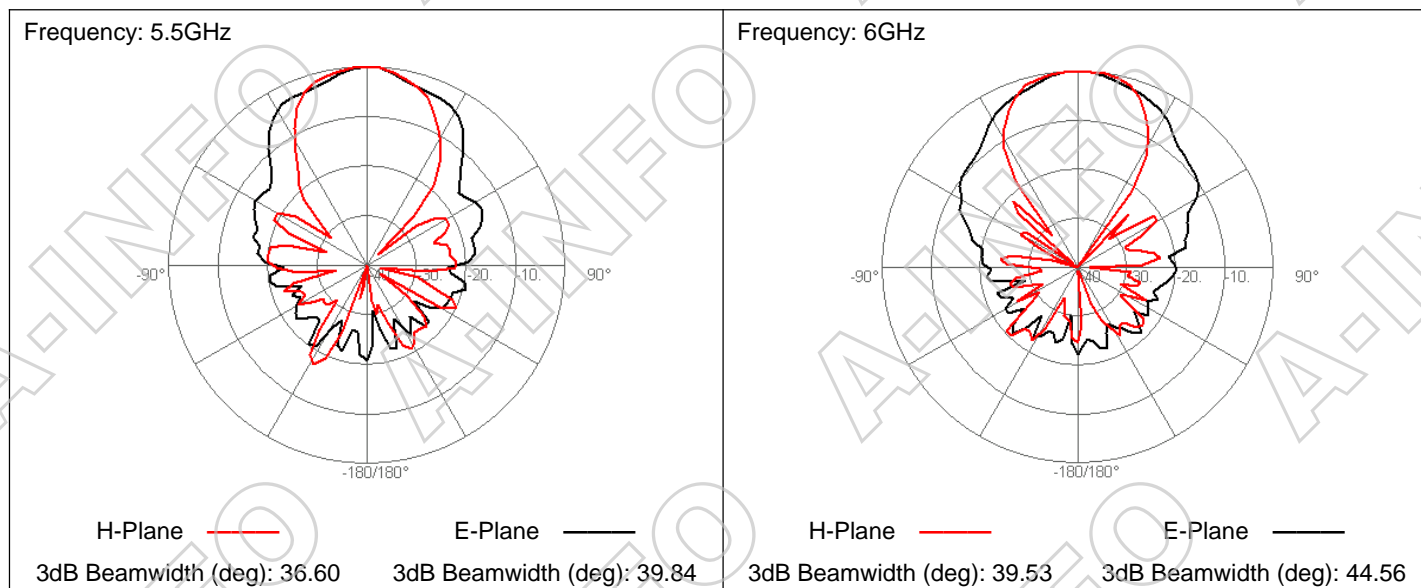
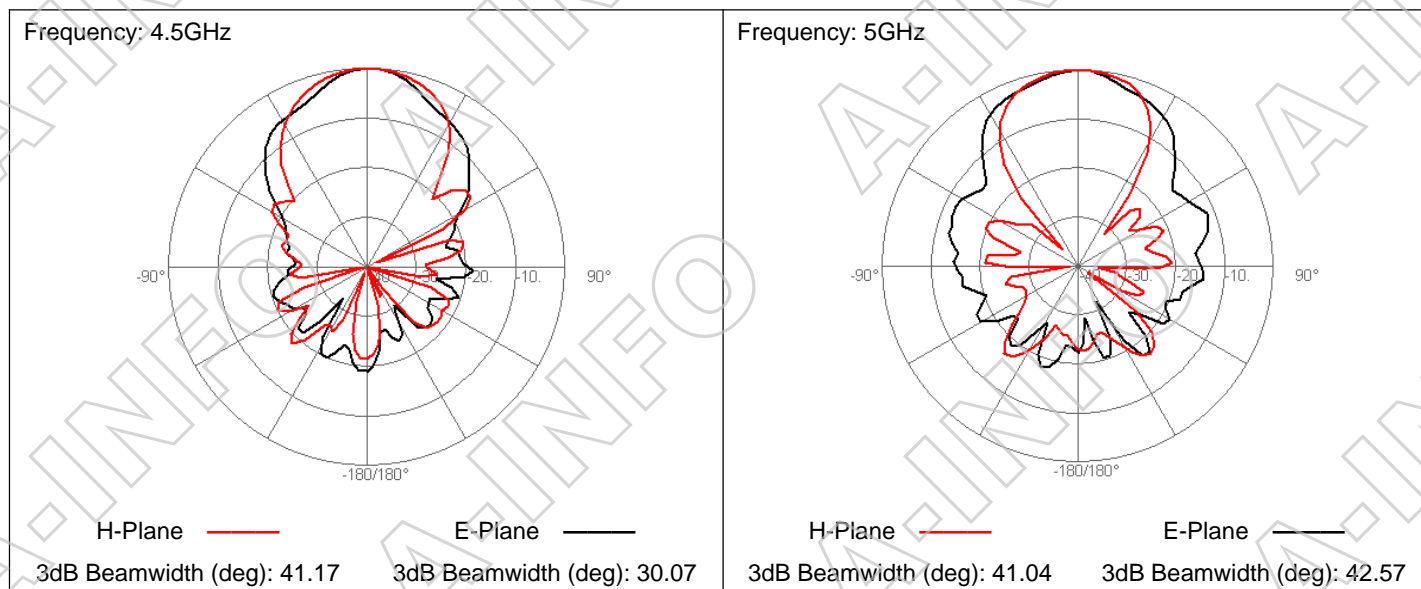
### 3. Cross Polarization Isolation

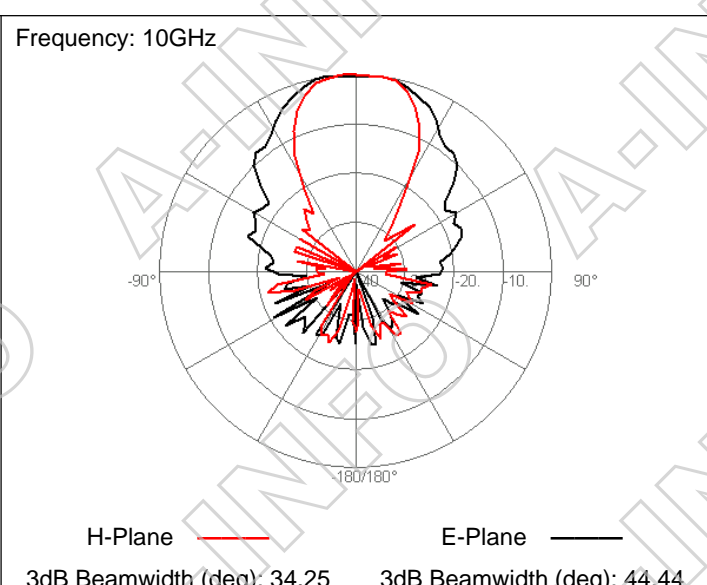
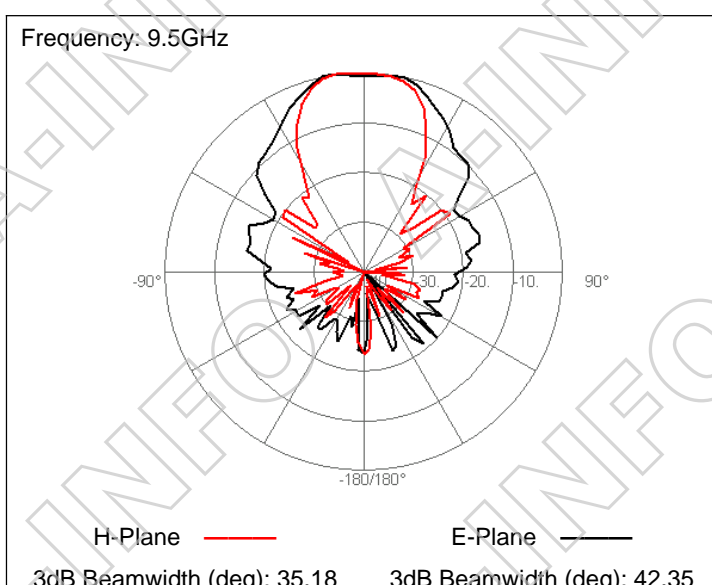
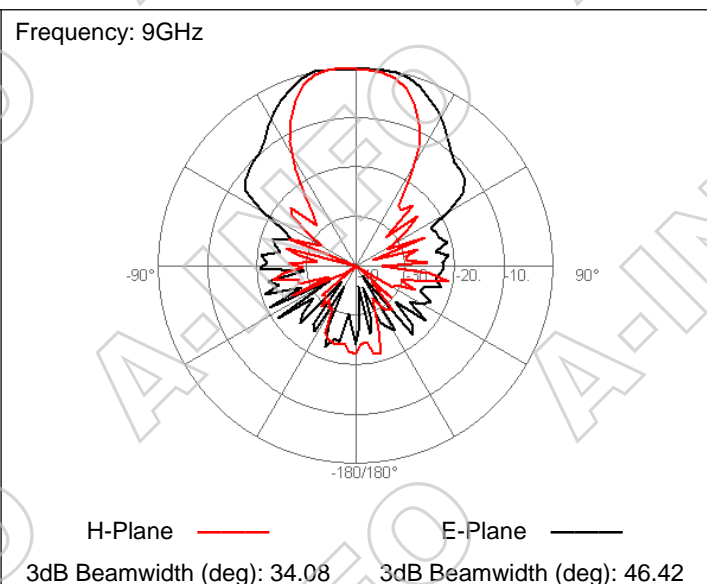
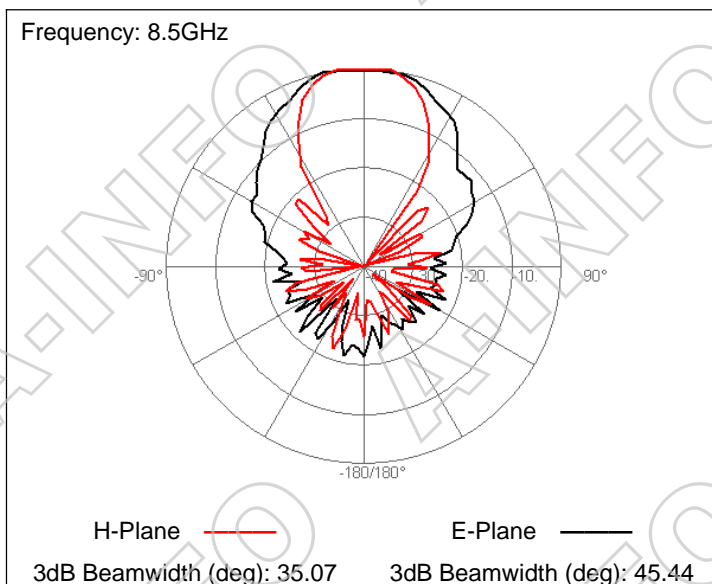
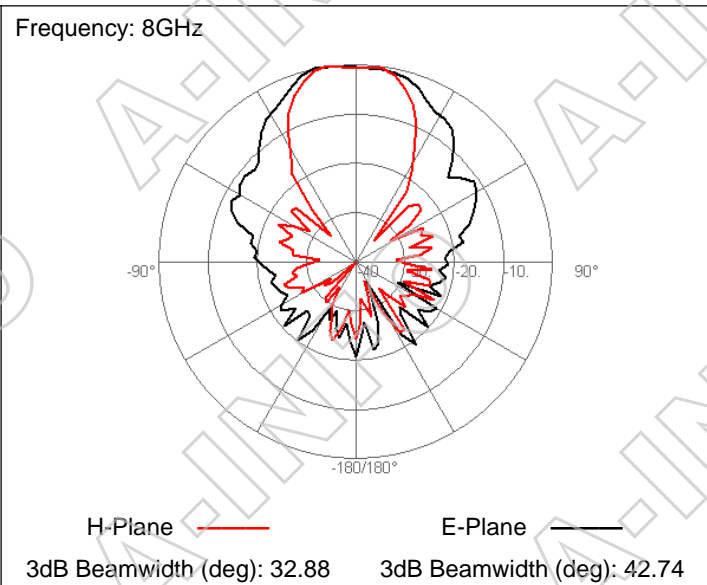
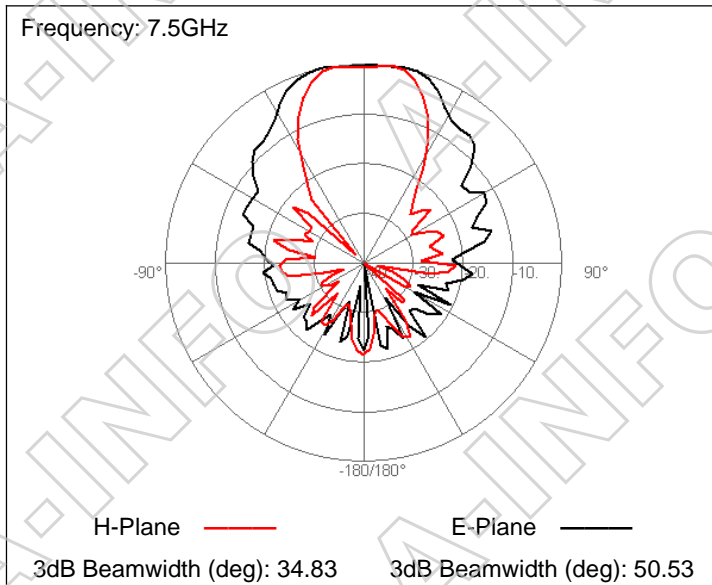


### 4. Pattern

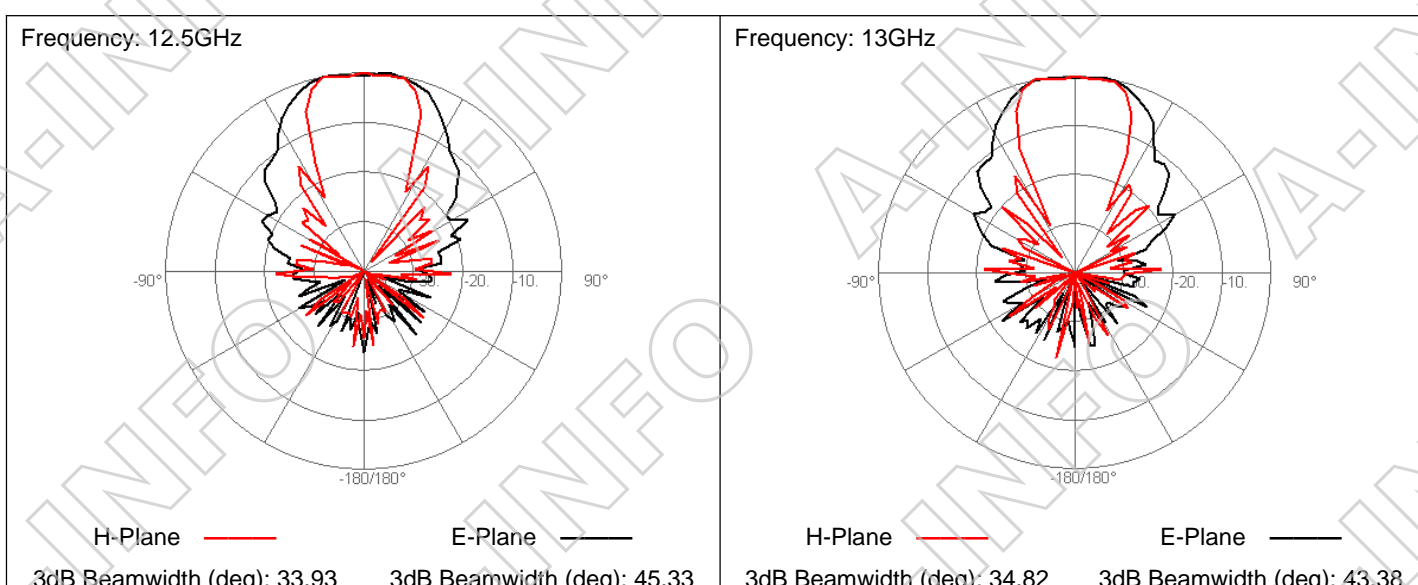
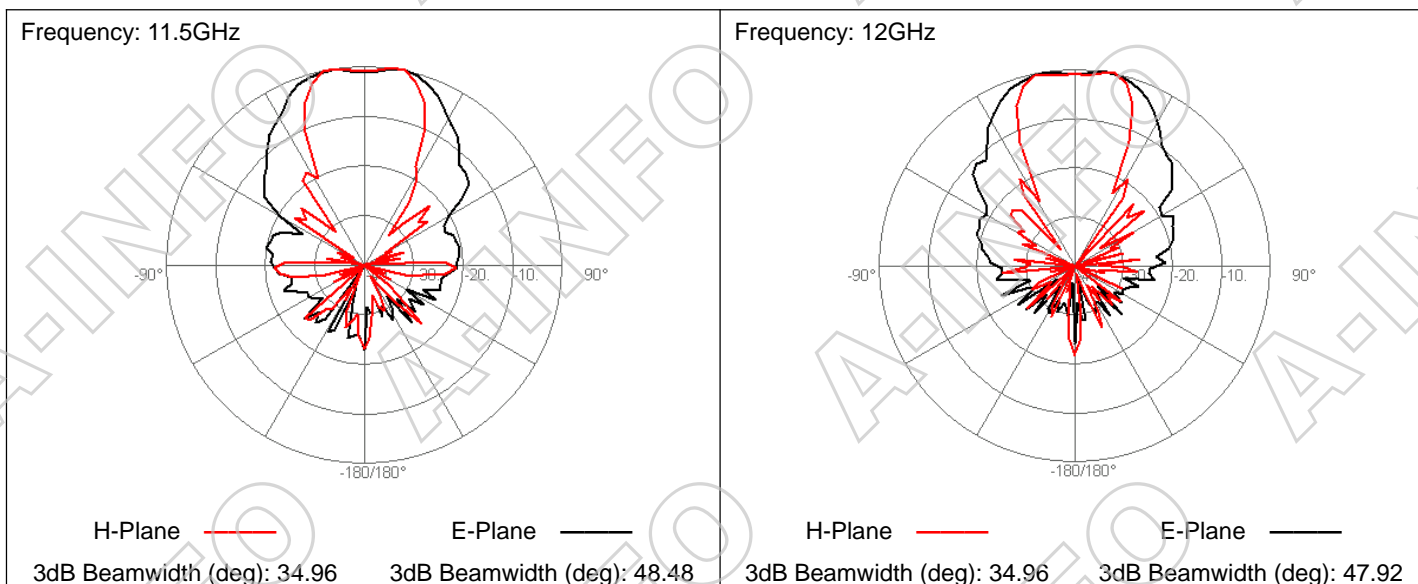
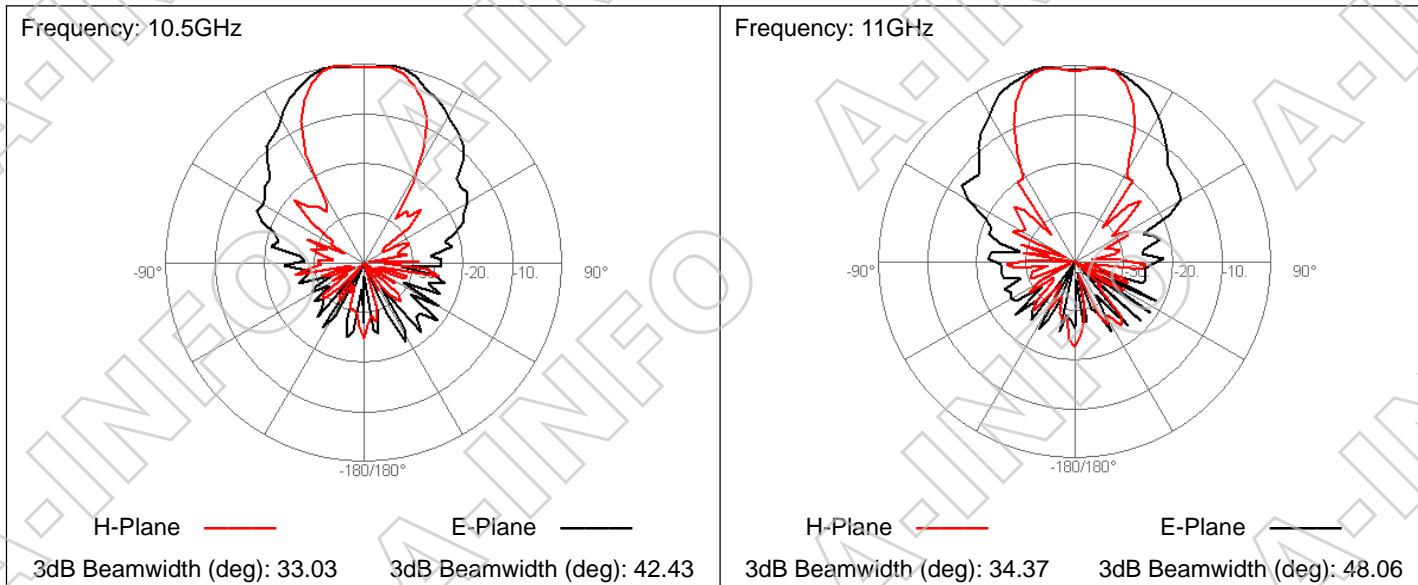


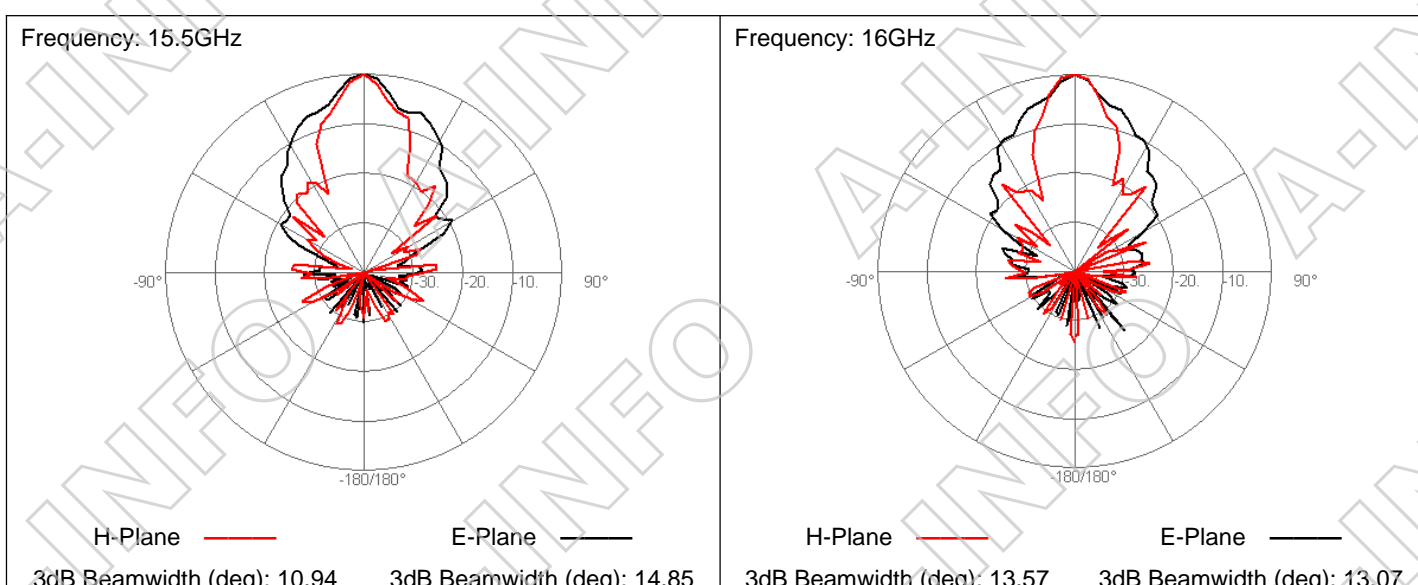
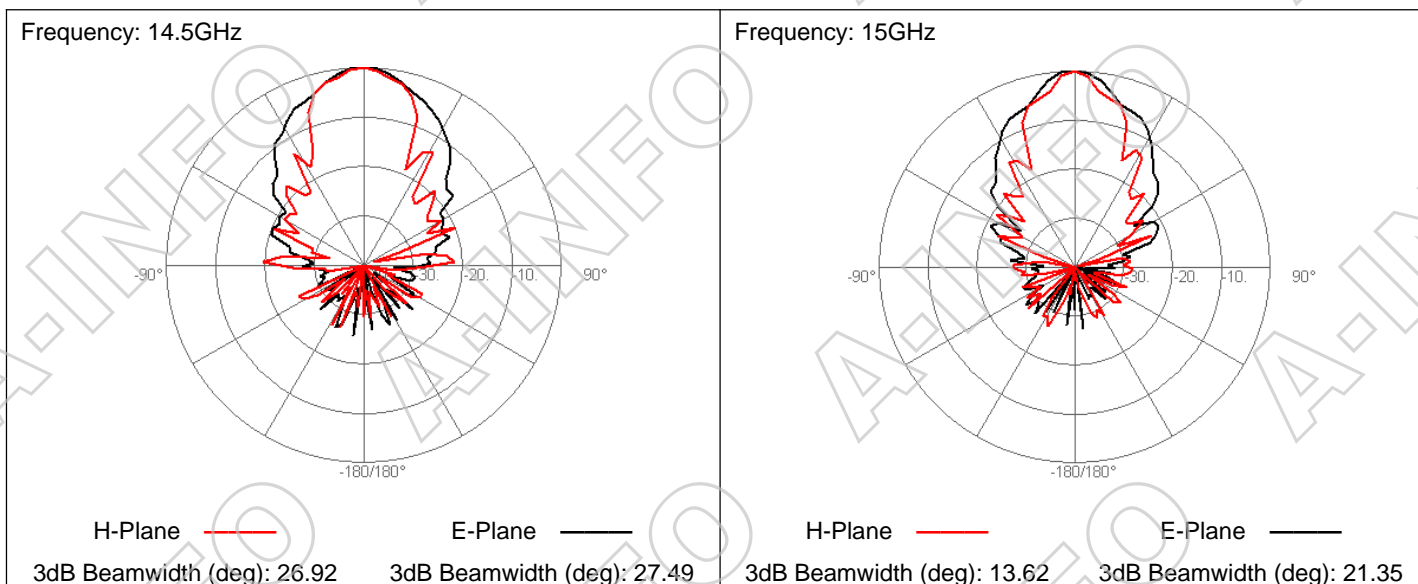
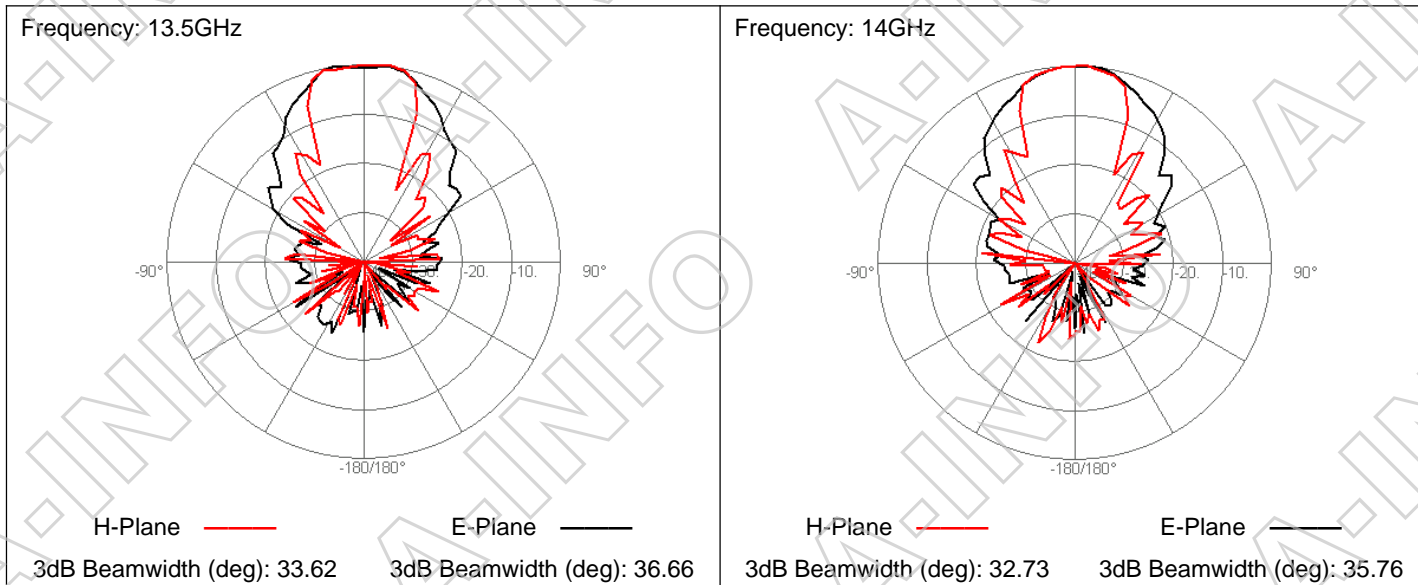


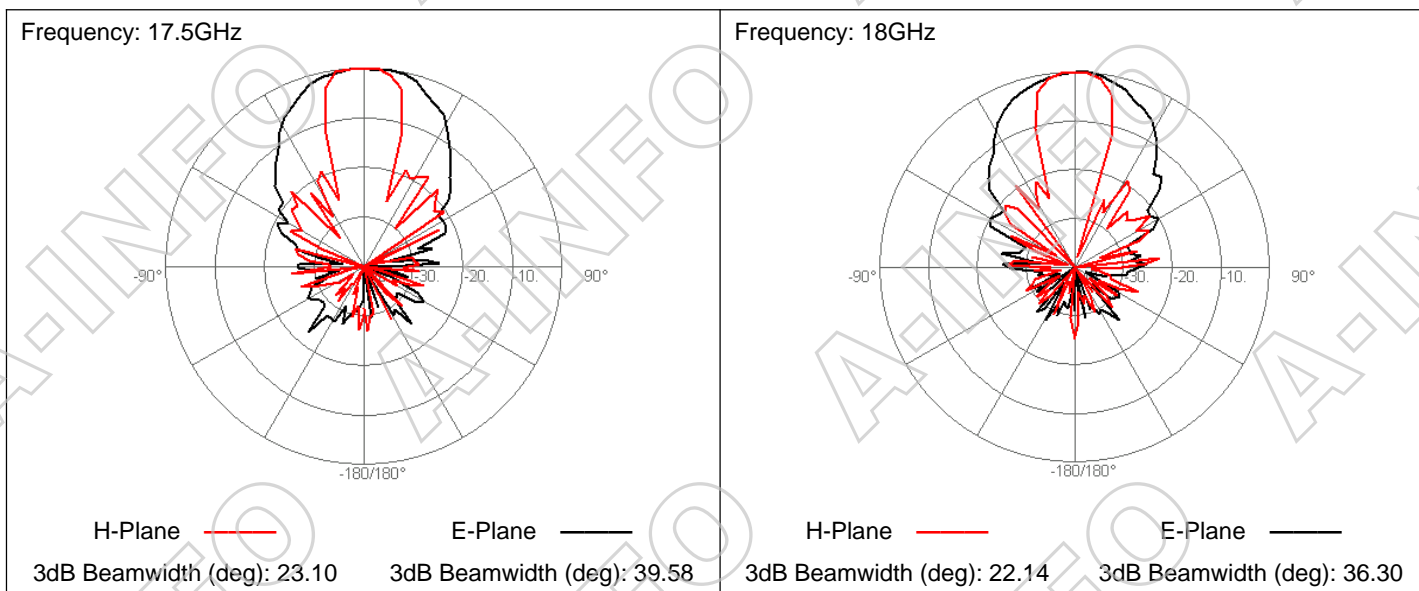
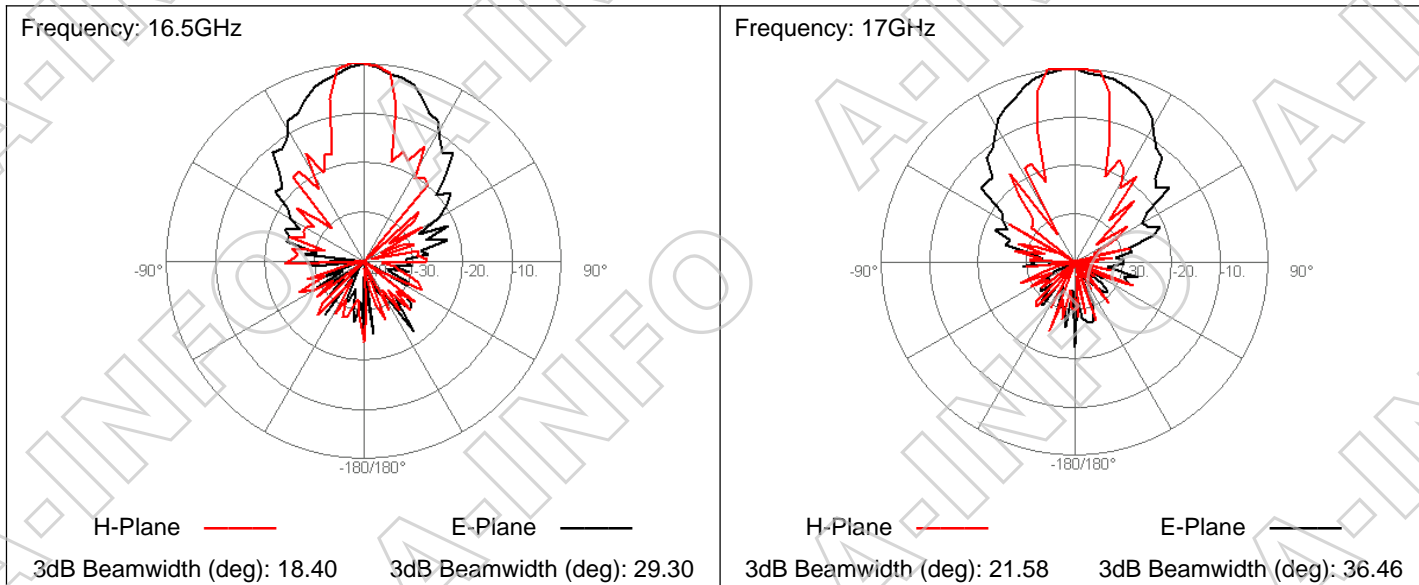












## L Type Mounting Bracket



### Description

Highly recommend for the usage of A-INFO Broadband Horn antennas and Dual Polarization Horn Antenna. Quick and easy change of antenna polarization, perfect antenna handling. Robust and sturdy. Suitable for A-INFO Standard Aluminum Alloy Tripod, P/N: Tripod\_ 15Kg, and Wood Tripod, P/N: 3033HL .

Mounting Interface: 1/4"-20UNC Thread

### For Model:

LB-7180, LB-880, LB-8180, LB-1080, LB-10125, LB-10180, LB-10200, LB-SJ-10100, LB-SJ-20180-P01/P02/P03

**Ordering P/N: LB-10180-L**

## Aluminum Alloy Tripod



### Description

Material: Aluminum Alloy

Section: 4 Sections

Maximum Tube Diameter: 25mm

The Highest Height: 158cm

The Lowest Height: 53cm

Carrying Capacity: 15 kg

Turning Range: 360 Deg. ( Ball Construction )

Weight: 3.5 kg

**Ordering P/N: Tripod\_ 15Kg**

## Wood Tripod



### Description

Mounting head made of wood, Minimum of metal components, Ideal for lab measurement.

Mounting Interface: 1/4"-20UNC Screw or 3/8"-16UNC Screw

Weight: 3,00 kg, (6,61 lb)

Minimum height: 75 cm , (30 inch)

Maximum height: 177 cm , (70 inch)

Load capacity: 10,00 kg , (22,05 lb)

**Ordering P/N: 3033HL**

## Adapter, N Type Male to SMA Female



### Description

This special high quality high precision adapter allows operation of A-INFO Antennas. This adapter is usable for very high frequencies up to at least 18GHz.

Nominal impedance 50 Ohms.

Body Material: 303 Stainless Steel-Polished & Passivated.

Center Contact: Beryllium Copper Plated Gold

Insulators: PTFE

**Ordering P/N: HPA125-02**

## Low Loss Phase Stable Cable Assemblies, DC-18GHz

0.5m, 1m, 3m, 5m, 10m, SMA-M / SMA-M and SMA-M / N-M

### Description

High quality low loss phase stable cable assemblies for connecting A-INFO Antenna with various test equipment like Keysight, R&S, Anritsu VNA or Spectrum Analyzer. Those cables are low loss and phase stable, suitable for high precision measurement.

Typical Loss: 1.23dB/m typ. @ 18.0GHz.

Typical Phase Stability VS Bend:  $\pm 3^\circ$  @ 18GHz



### Ordering P/N:

Ordering P/N	Connector	Length(m)
SM-SM-SFD210A-18-500	SMA-M / SMA-M	0.5
SM-NM-SFD210A-18-500	SMA-M / N-M	0.5
SM-SM-SFD210A-18-1000	SMA-M / SMA-M	1.0
SM-NM-SFD210A-18-1000	SMA-M / N-M	1.0
SM-SM-SFD210A-18-3000	SMA-M / SMA-M	3.0
SM-NM-SFD210A-18-3000	SMA-M / N-M	3.0
SM-SM-SFD210A-18-5000	SMA-M / SMA-M	5.0
SM-NM-SFD210A-18-5000	SMA-M / N-M	5.0
SM-SM-SFD210A-18-10000	SMA-M / SMA-M	10.0
SM-NM-SFD210A-18-10000	SMA-M / N-M	10.0

## Low Loss Phase Stable Cable Assemblies With Armor, DC-18GHz

0.5m, 1m, 3m, 5m, 10m, SMA-M / SMA-M and SMA-M / N-M

### Description

High quality low loss phase stable cable assemblies with **Stainless Steel Armor** for connecting A-INFO Antenna with various test equipment like Keysight, R&S, Anritsu VNA or Spectrum Analyzer. Those cables are low loss and phase stable, suitable for high precision measurement.

Typical Loss: 1.23dB/m typ. @ 18.0GHz.

Typical Phase Stability VS Bend:  $\pm 3^\circ$  @ 18GHz



### Ordering P/N:

Ordering P/N	Connector	Length(m)
SM-SM-SFD210A-18SSK-500	SMA-M / SMA-M	0.5
SM-NM-SFD210A-18SSK-500	SMA-M / N-M	0.5
SM-SM-SFD210A-18SSK-1000	SMA-M / SMA-M	1.0
SM-NM-SFD210A-18SSK-1000	SMA-M / N-M	1.0
SM-SM-SFD210A-18SSK-3000	SMA-M / SMA-M	3.0
SM-NM-SFD210A-18SSK-3000	SMA-M / N-M	3.0
SM-SM-SFD210A-18SSK-5000	SMA-M / SMA-M	5.0
SM-NM-SFD210A-18SSK-5000	SMA-M / N-M	5.0
SM-SM-SFD210A-18SSK-10000	SMA-M / SMA-M	10.0
SM-NM-SFD210A-18SSK-10000	SMA-M / N-M	10.0

## Aluminum Carrying Case



### Description

For all A-INFO Broadband Horn Antennas. Safe, Easy to carry and Convenient for storage.

**Ordering P/N: Please ask A-INFO for P/N.**