

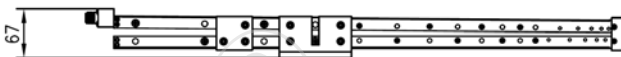
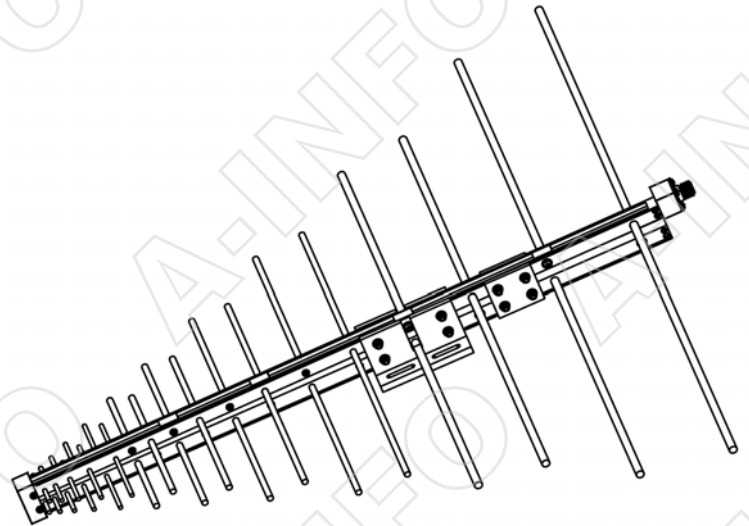
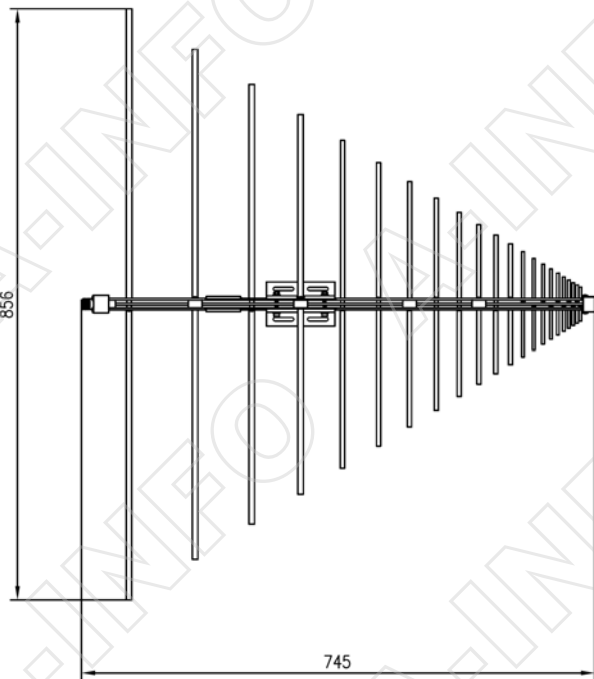
## Technical Specification



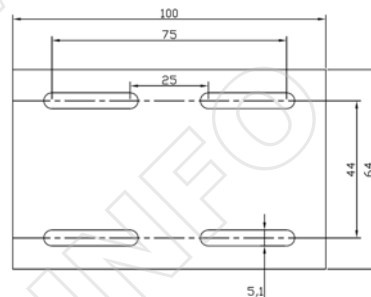
The picture is for reference only.

Frequency Range(GHz)	0.18- 3.0
Gain(dB)	6 Typ.
Polarization	Linear
VSWR	2.0 Typ.
Connector	N -Female
Size(mm)	856 x 745
Net Weight(Kg)	1.0 Around

## Outline Drawing (Size: mm)

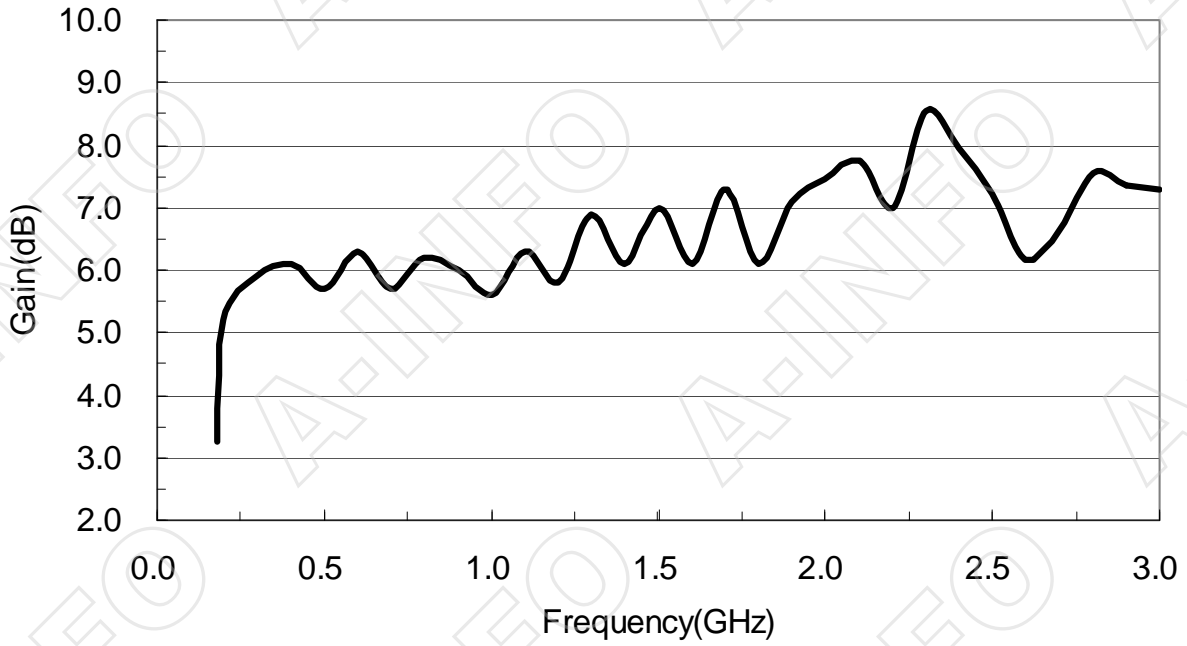


## Mounting Bracket

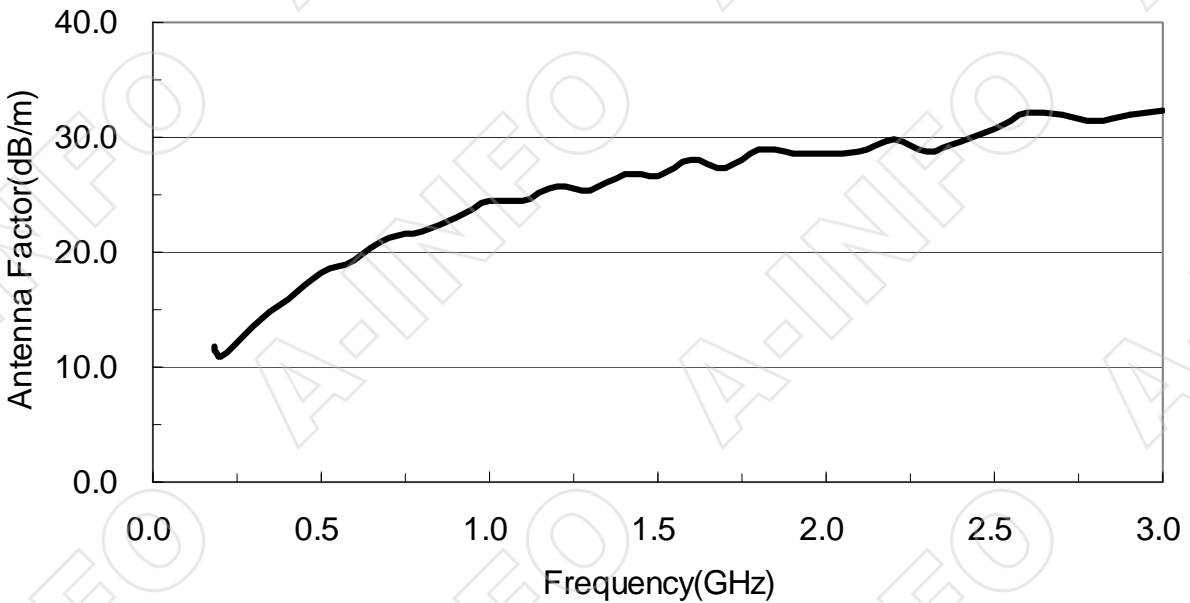


## Test Results

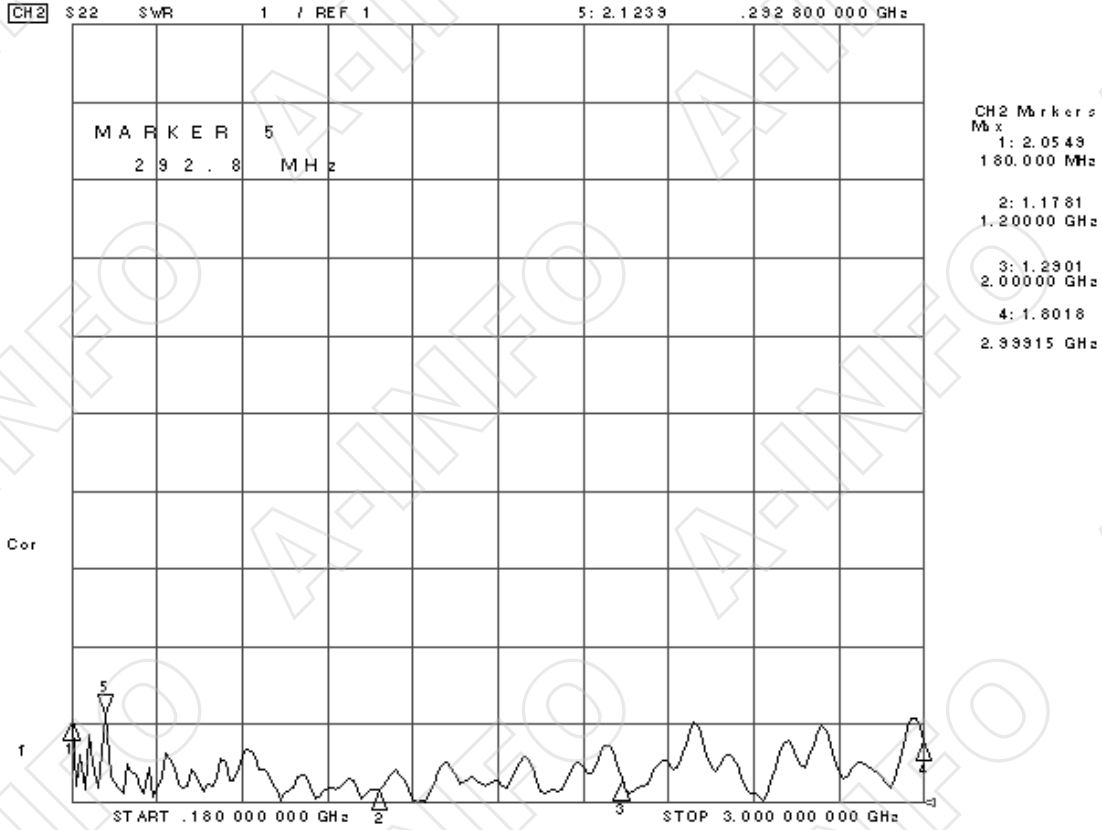
### 1. Gain



### 2. Antenna Factor



### 3. VSWR



### 4. Pattern

Frequency: 0.18GHz

