

Without Radome



With Radome

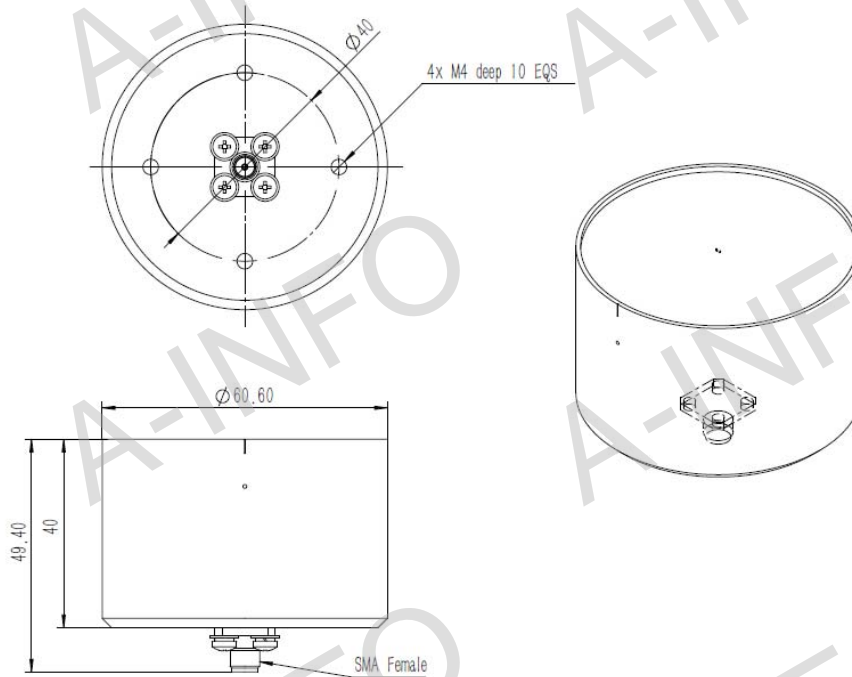


Technical Specification

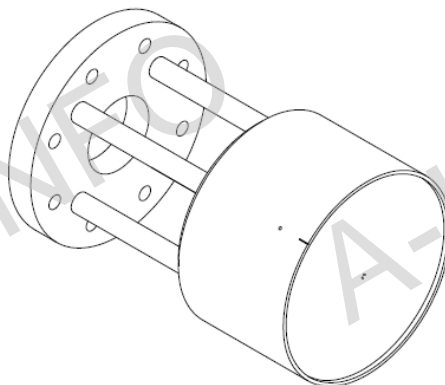
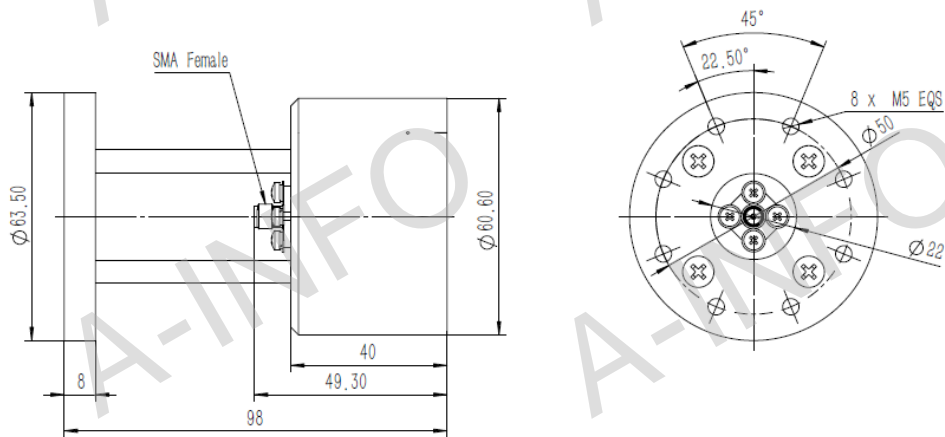
Polarization	RHCP or LHCP	
Frequency Range(GHz)	2 - 18	
Gain(dBic)	Without Radome	-5.99@2GHz
		4.41@8GHz
		1.37@18GHz
	With Radome	-5.42@2GHz
		4.25@8GHz
		0.94@18GHz
Axial Ratio(dB)	3.5 Max.	
3dB Beamwidth(deg)	Without Radome	E: 100 - 55
		H: 105 - 55
VSWR	2.0 : 1 Typ.	
	3.0 : 1 Max	
Connector	SMA- Female	
Net Weight(Kg)	0.17 Around(Without Radome)	
	0.18 Around(With Radome)	
Material For Radome	Rigid Foam	
Operating Environment For Radome	Outdoor Application; Water Proof & Dust Proof	

Outline Drawing(Size: mm)

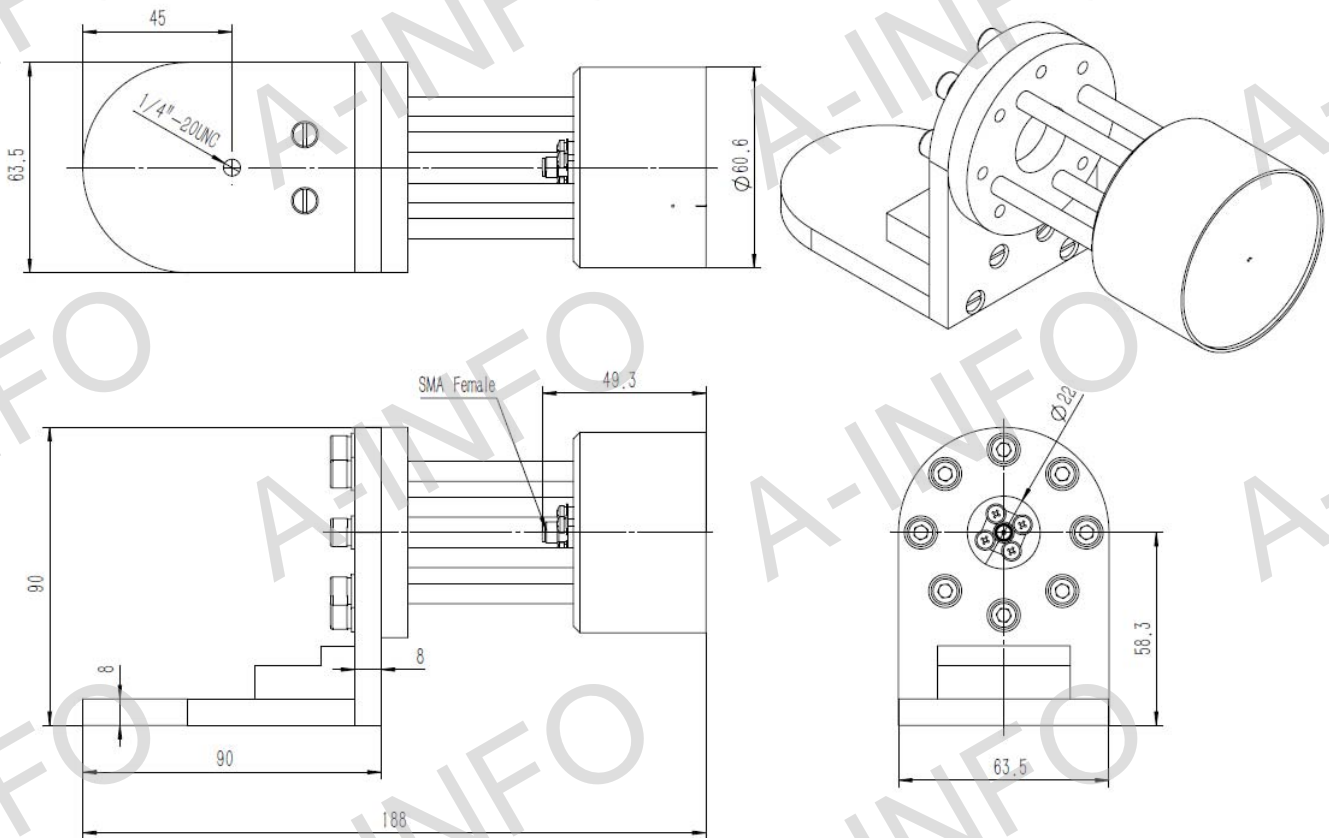
With SMA-Female Output



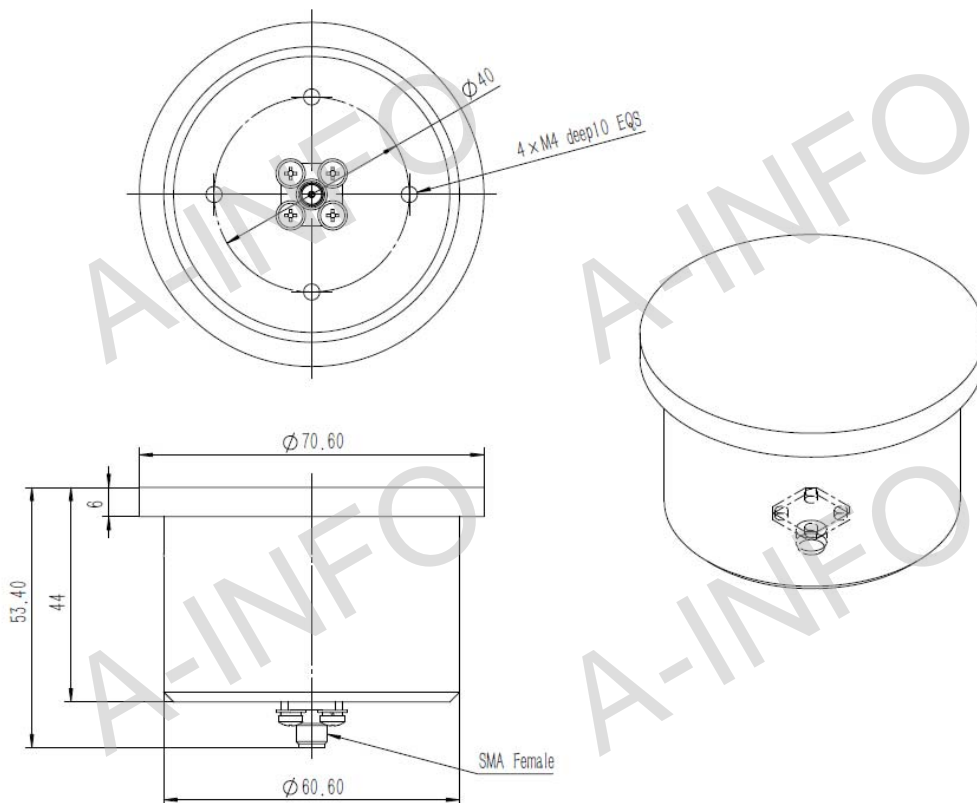
With SMA-Female Output & Round Mounting Bracket



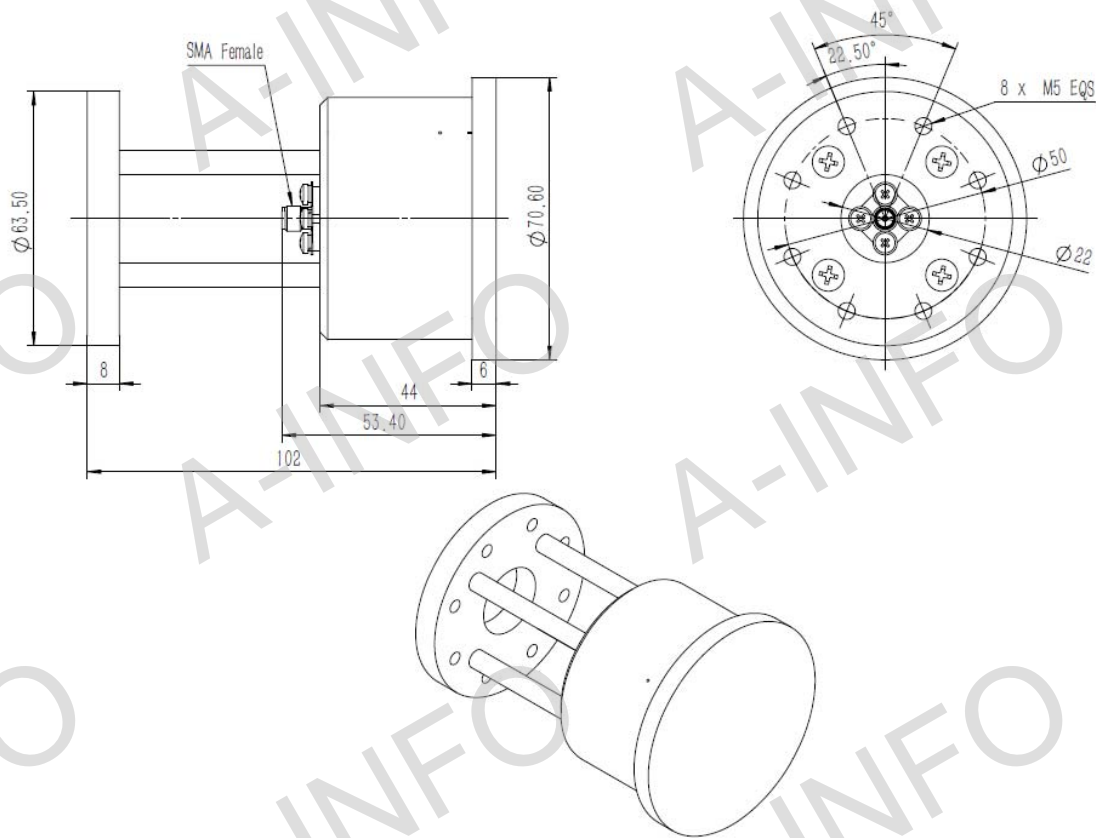
With SMA-Female Output & L Type Mounting Bracket



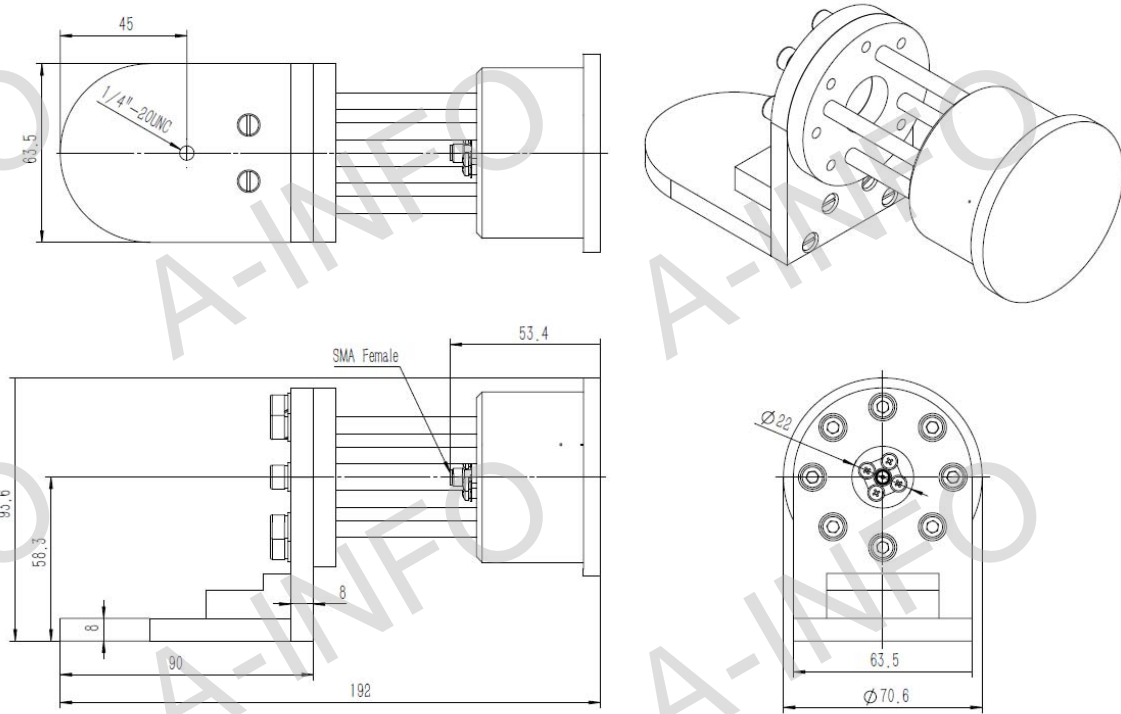
With SMA-Female Output & Radome



With SMA-Female Output & Round Mounting Bracket & Radome

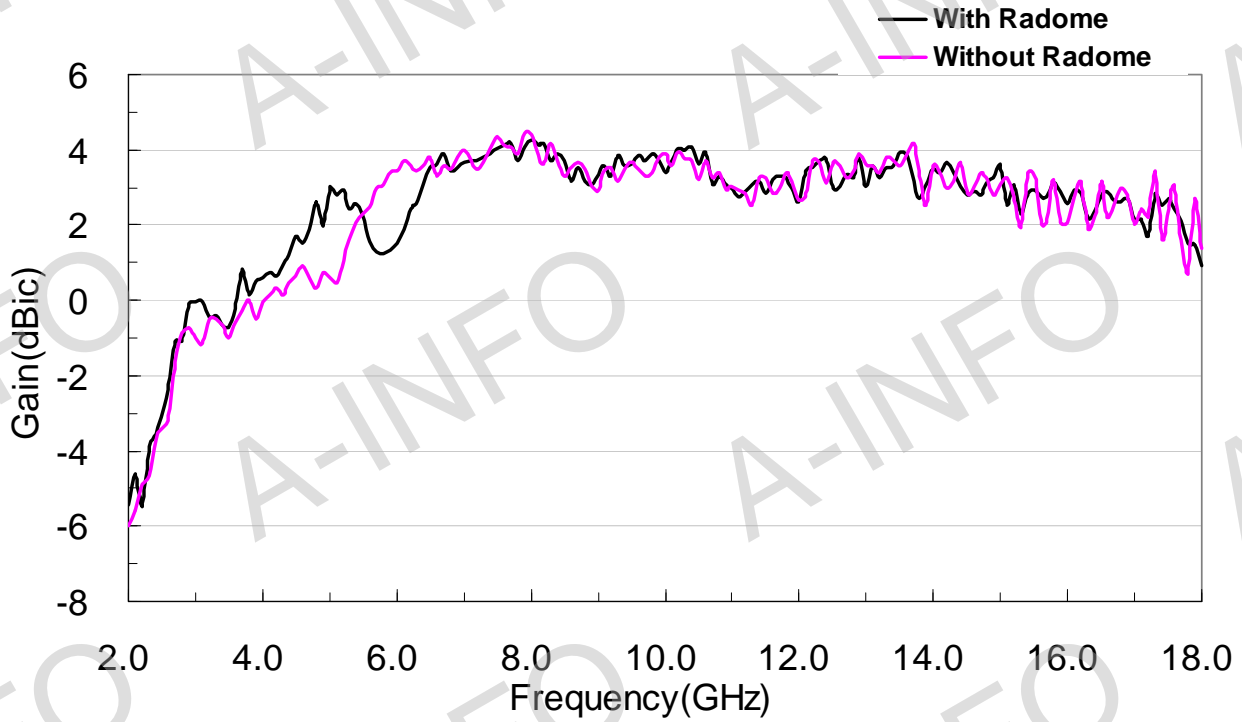


With SMA-Female Output & L Type Mounting Bracket & Radome

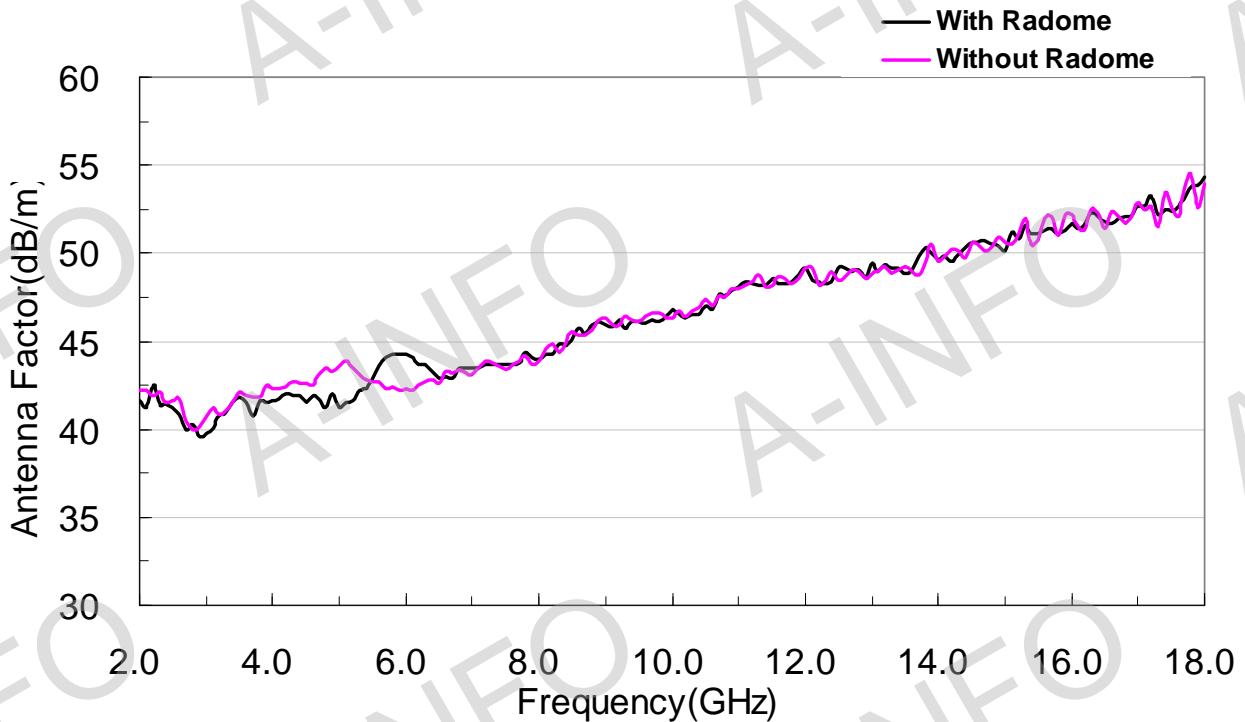


Test Results

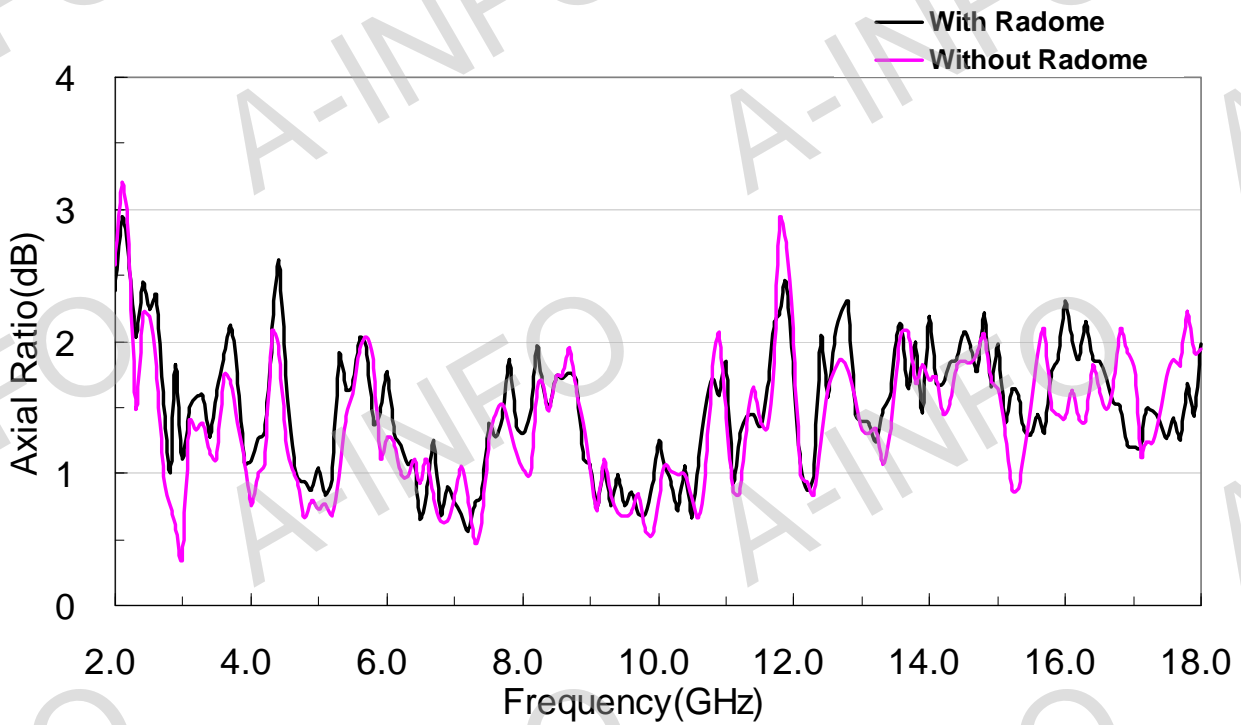
1. Gain



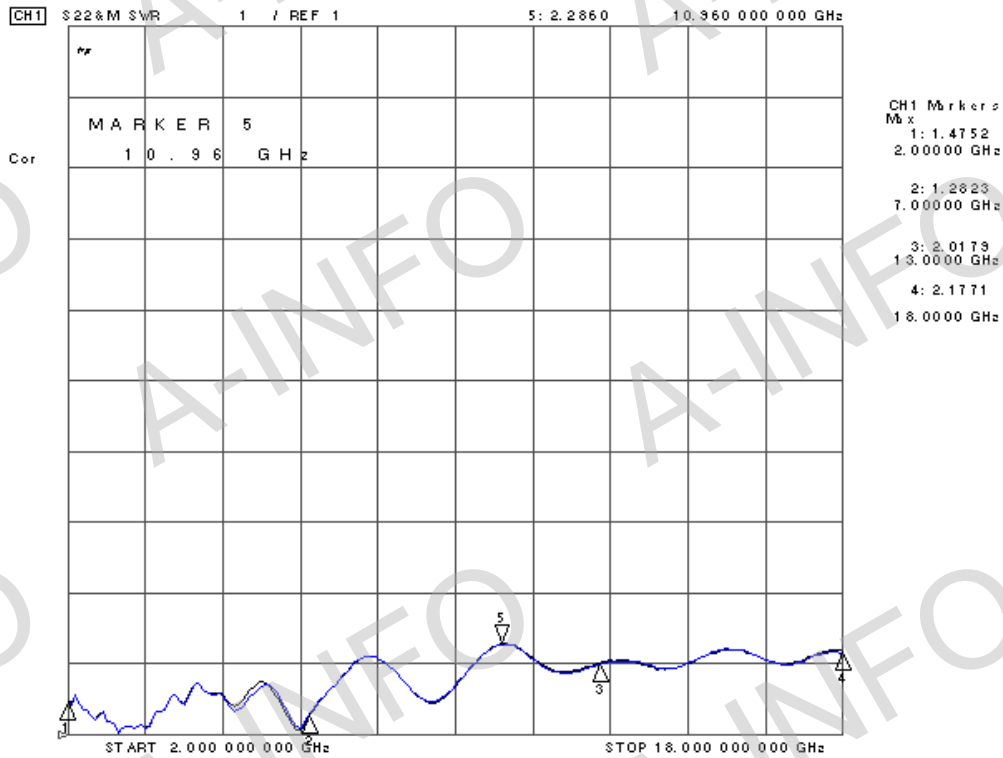
2. Antenna Factor



3. Axial Ratio



4. VSWR (DATA: With Radome; MEM: Without Radome)



5. Pattern

