

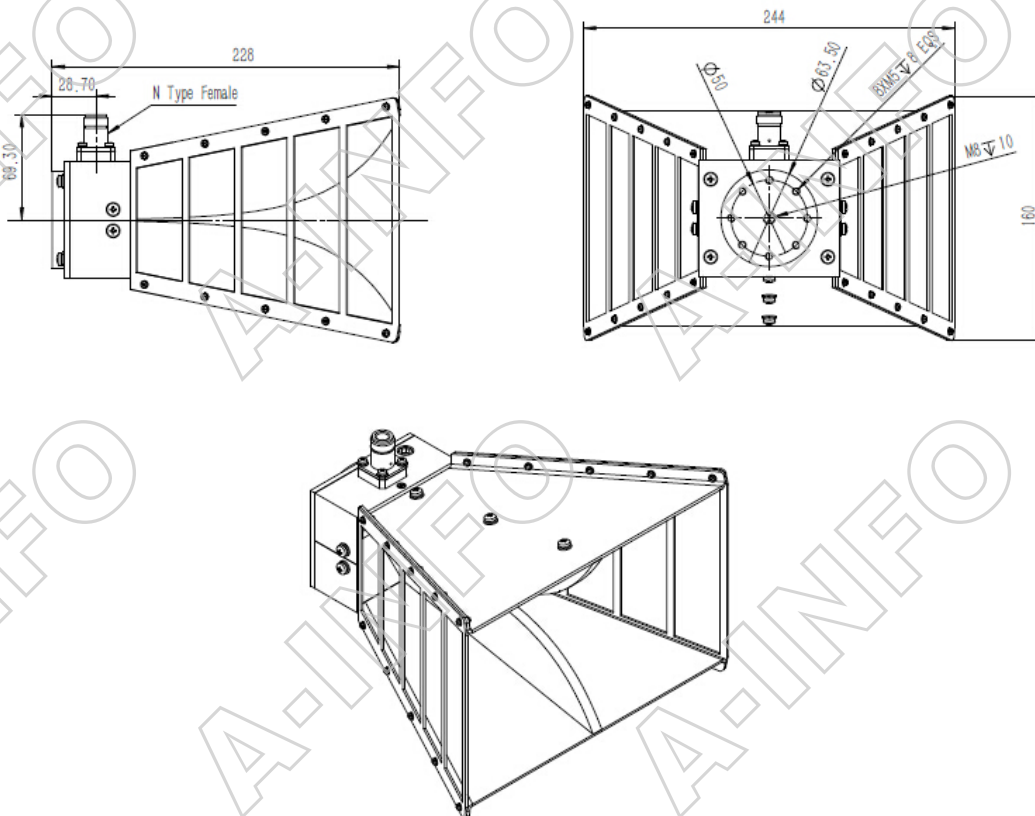
Technical Specification



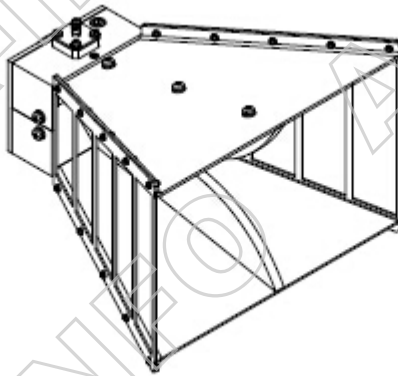
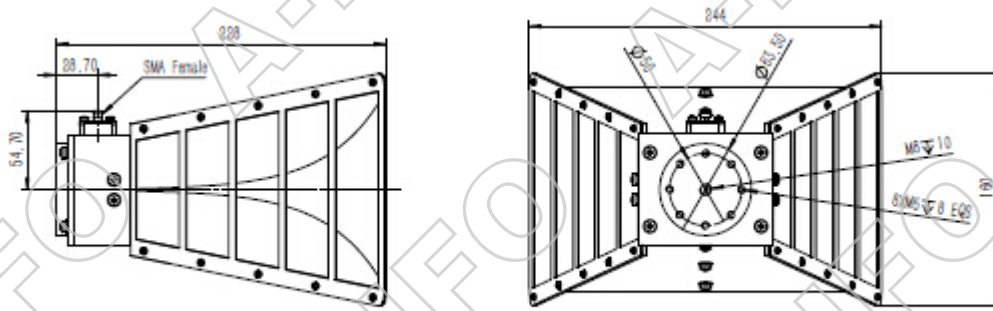
| | | |
|----------------------|--------------|-------------|
| Frequency Range(GHz) | 0.7 - 18.0 | |
| Gain(dB) | 12 Typ. | |
| Polarization | Linear | |
| VSWR | 2.0:1 Typ. | |
| Connector | N-F or SMA-F | |
| Power Handling(W) | N-F | 300 Max. CW |
| | SMA-F | 50 Max. CW |
| Size(mm) | 244x160x230 | |
| Net Weight(Kg) | 1.5 Around | |

Outline Drawing (Size: mm)

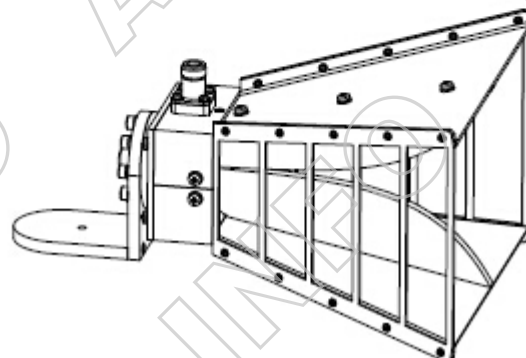
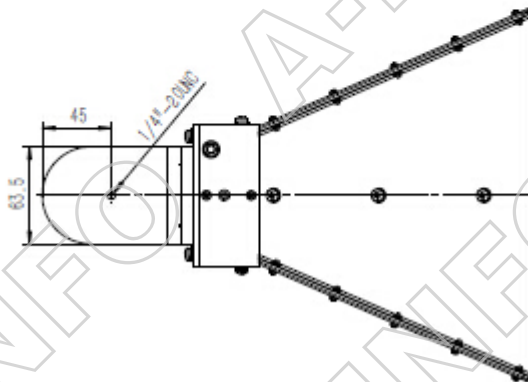
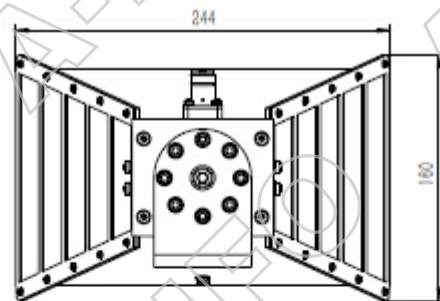
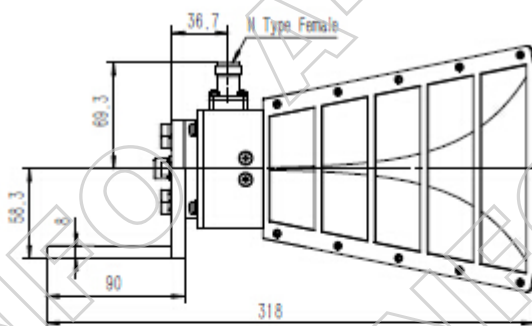
N Type Female Output



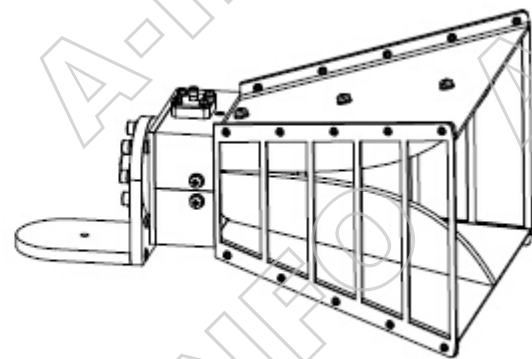
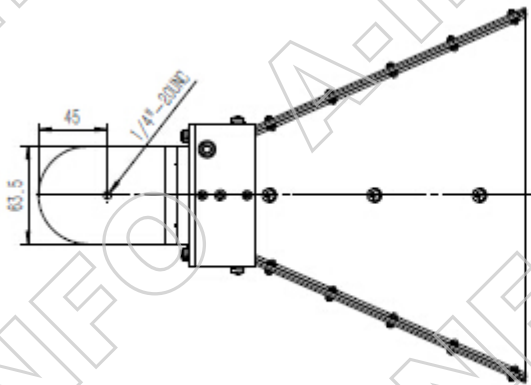
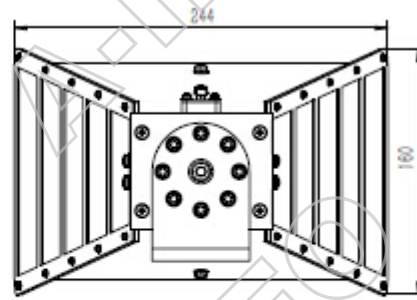
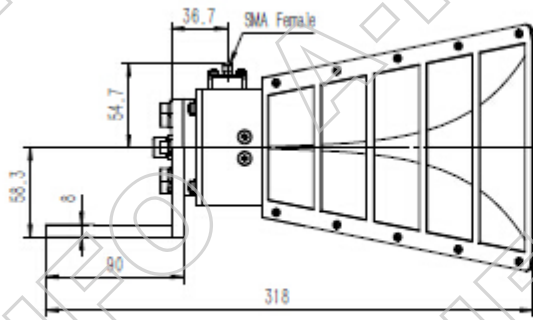
SMA Type Female Output



N Type Female Output with L type mounting bracket

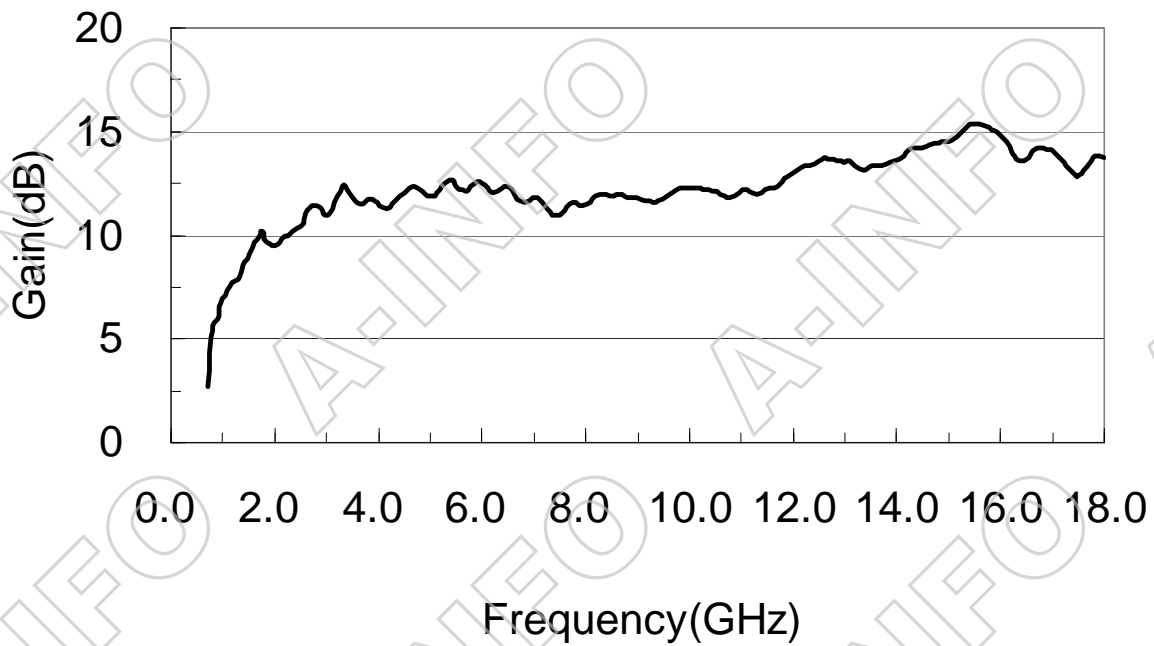


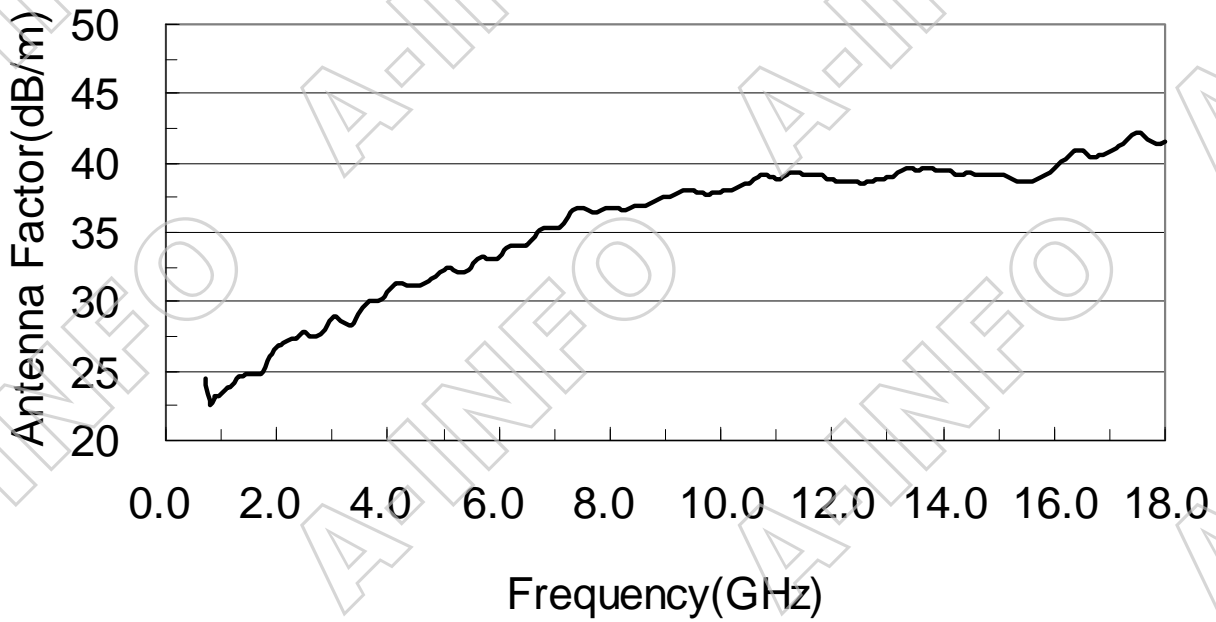
SMA Type Female Output with L type mounting bracket



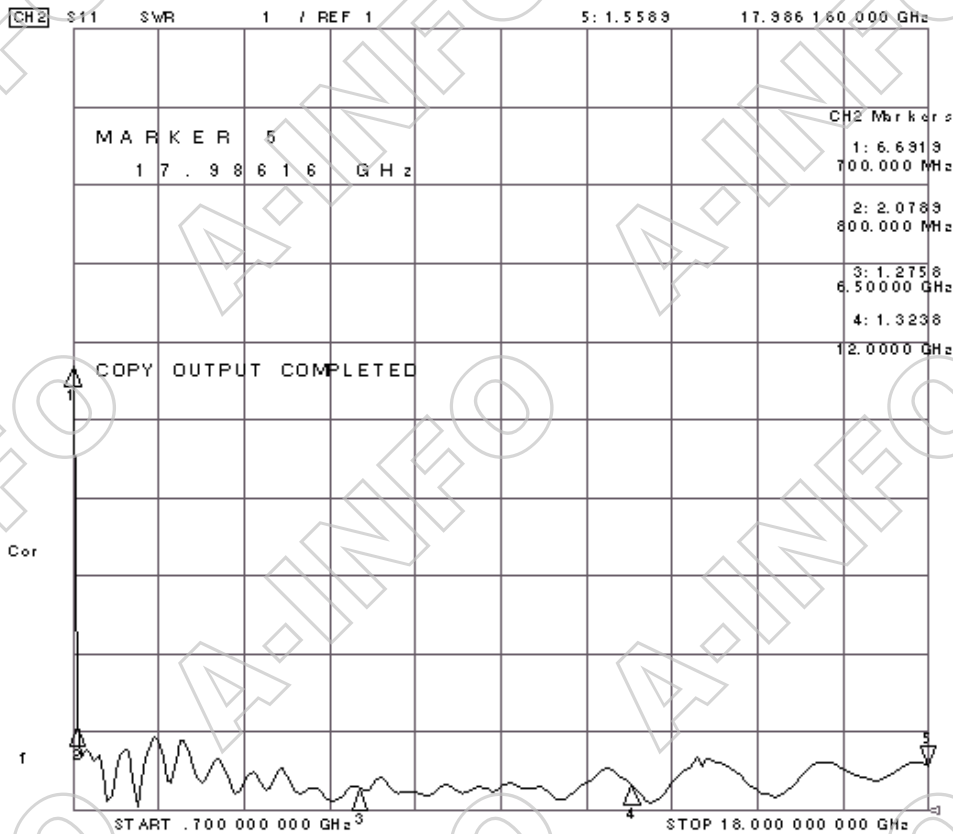
Test Results

1. Gain and Antenna Factor (at 3m)

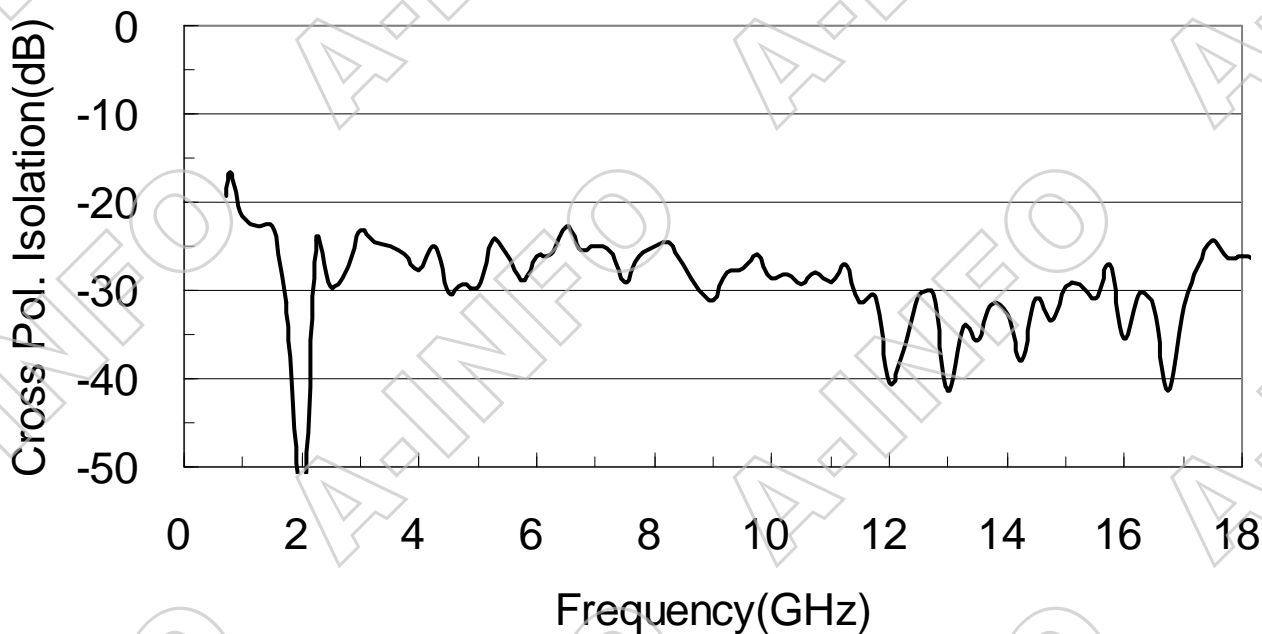




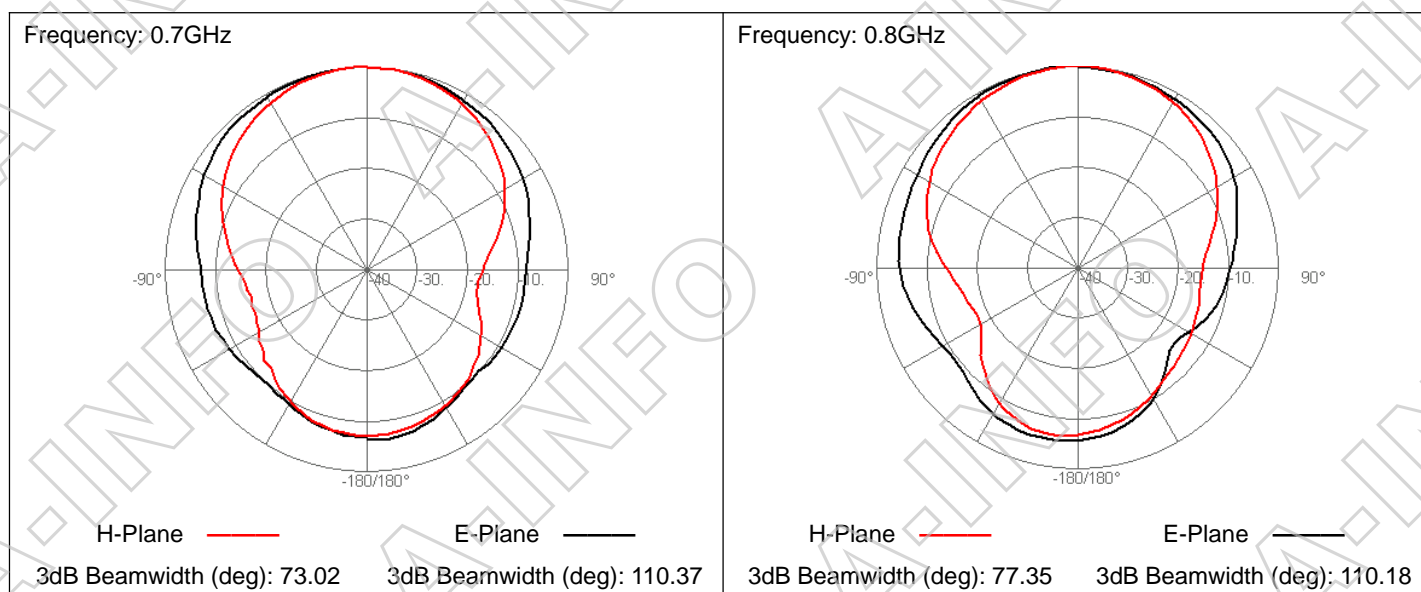
2. VSWR

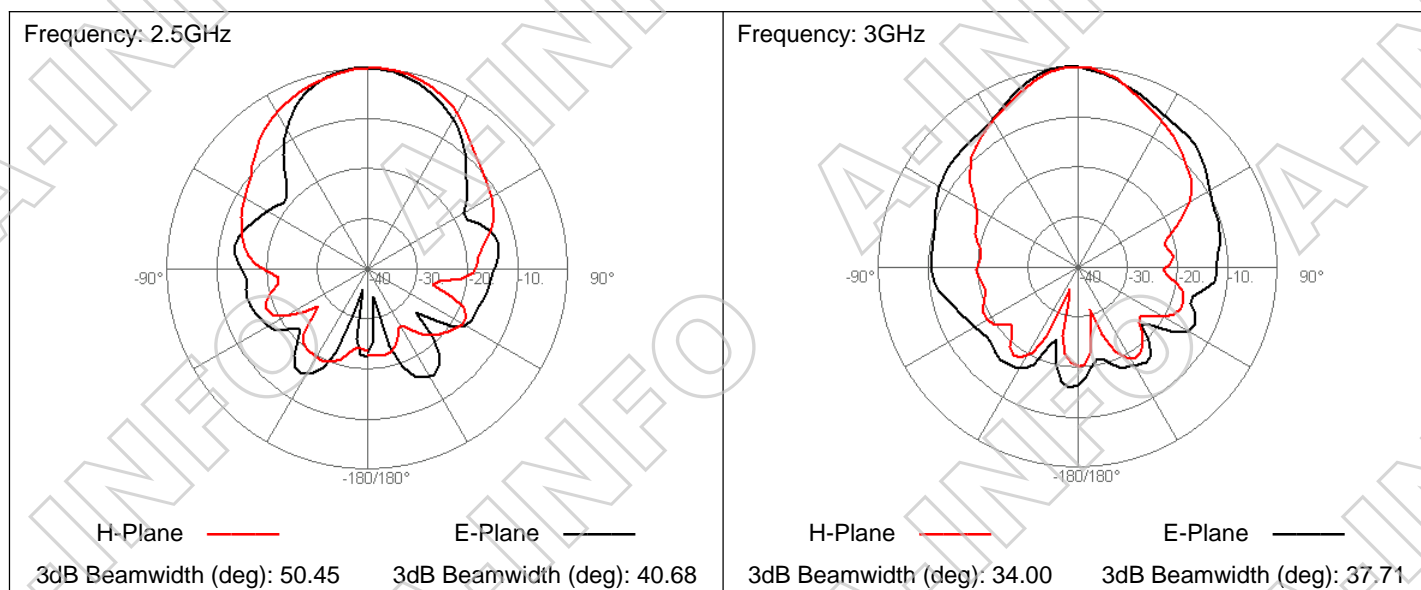
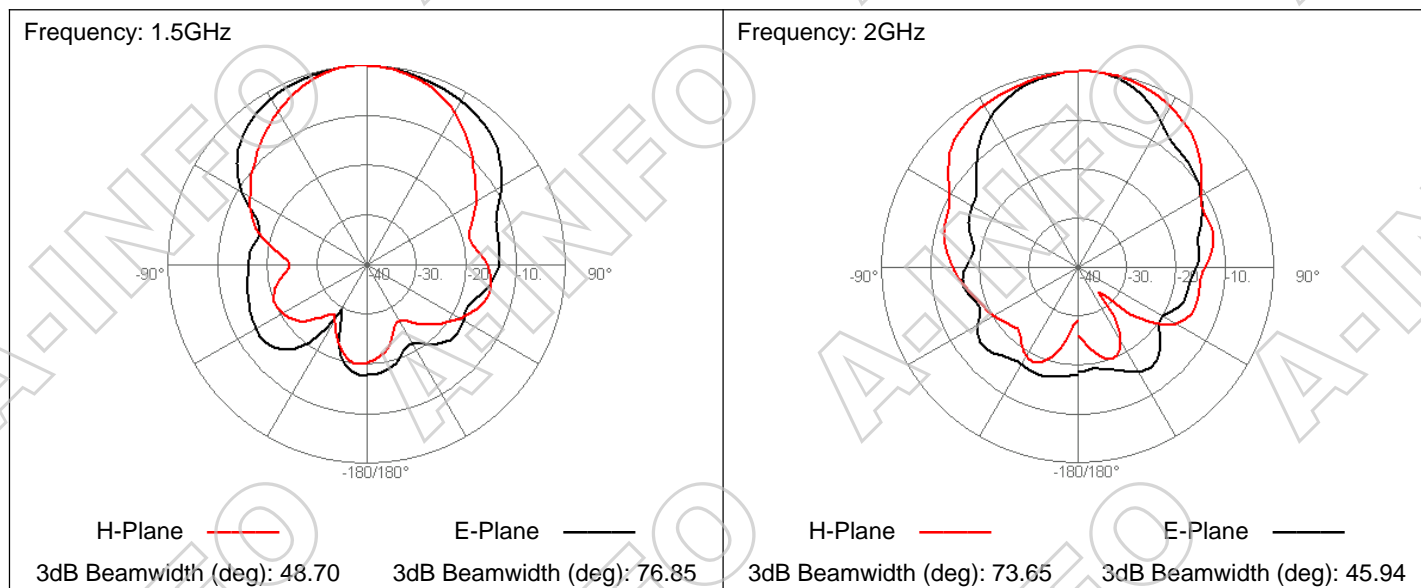
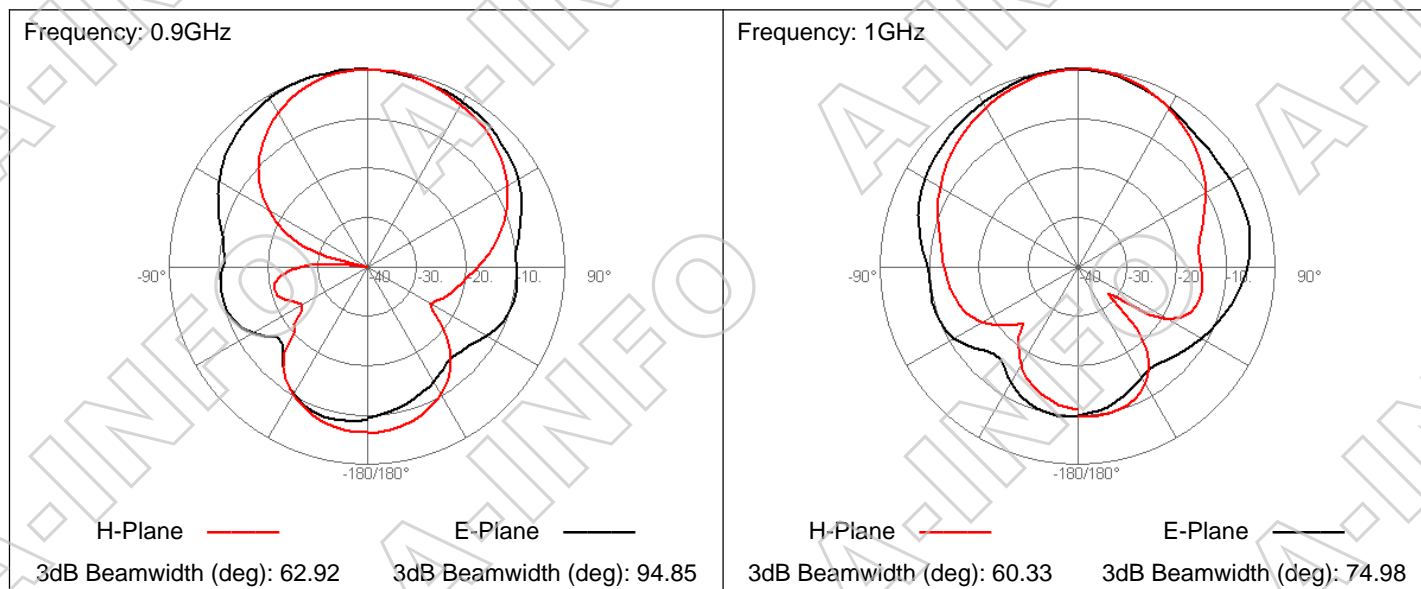


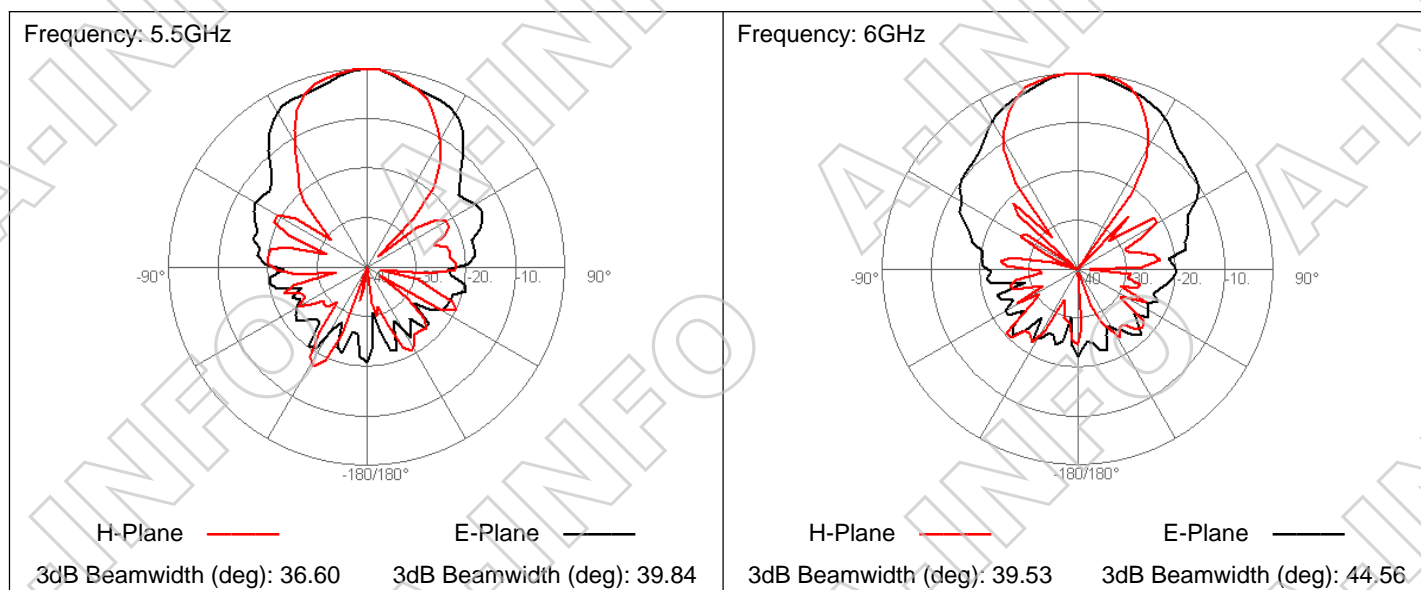
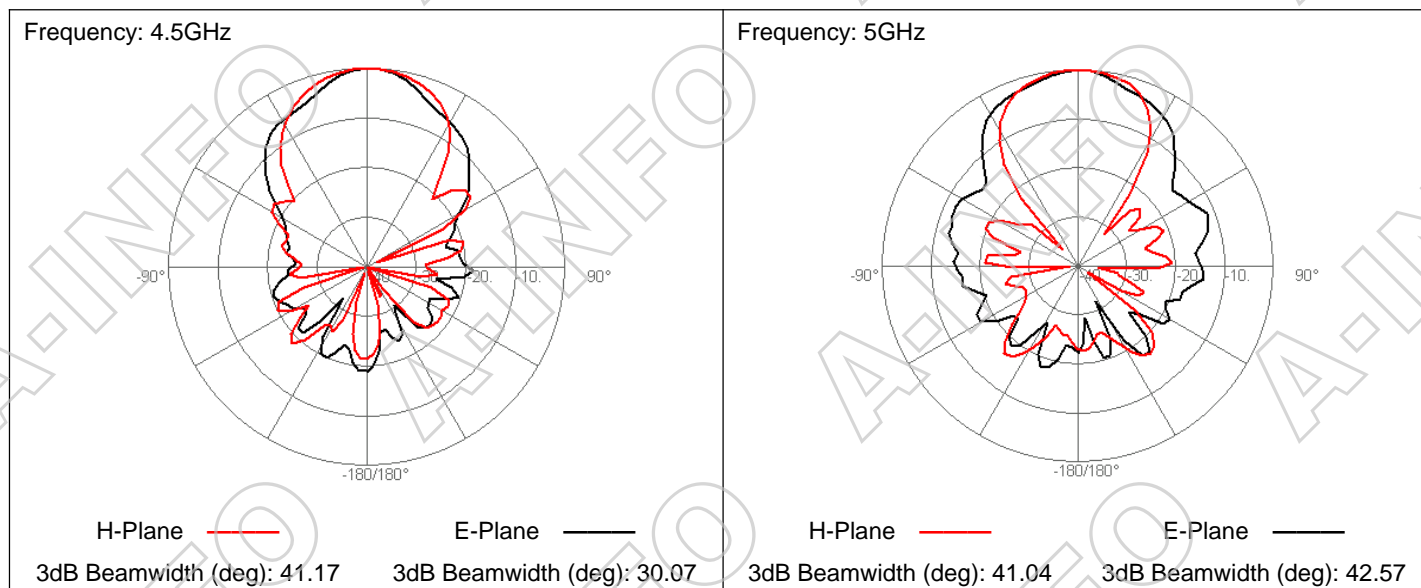
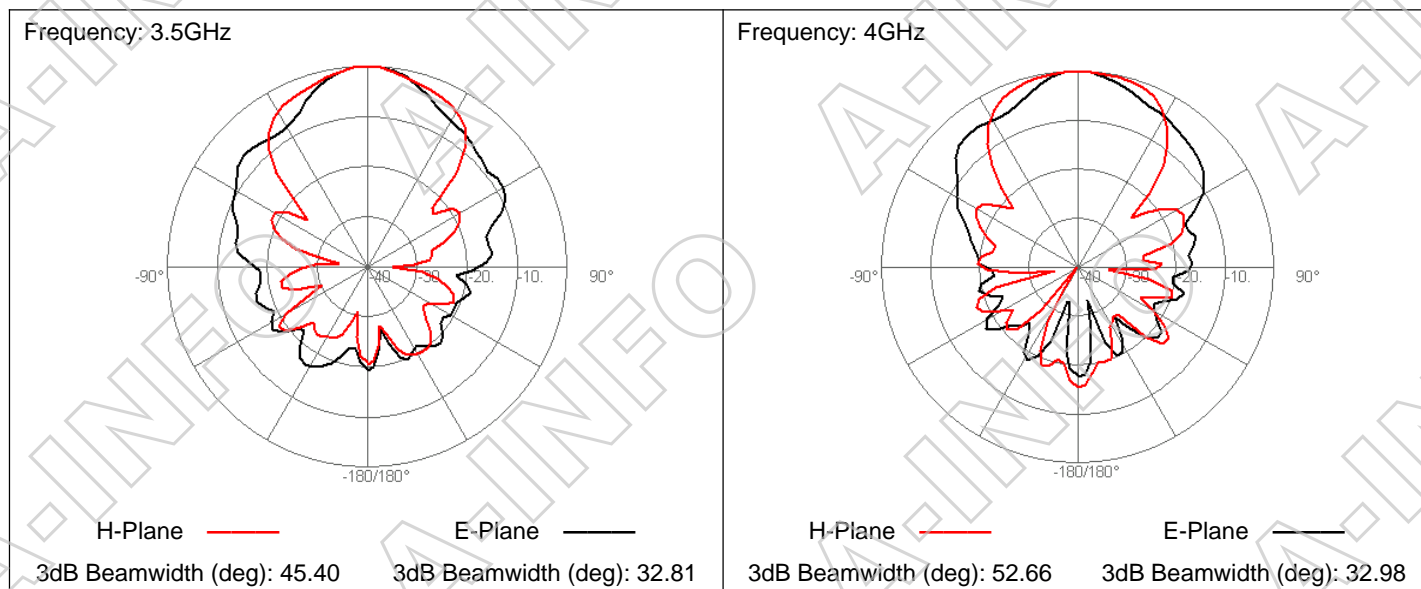
3. Cross Polarization Isolation

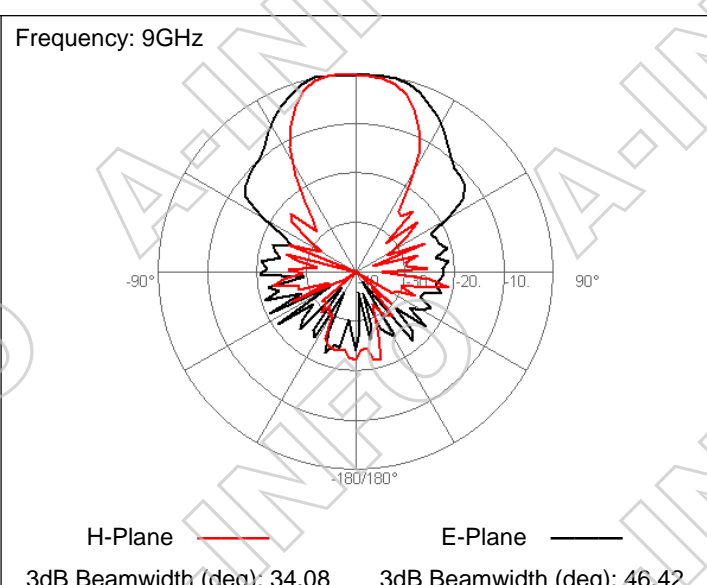
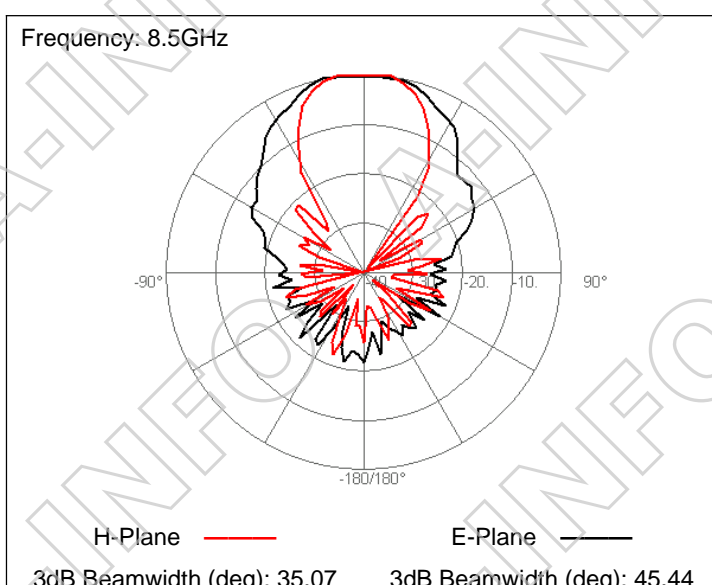
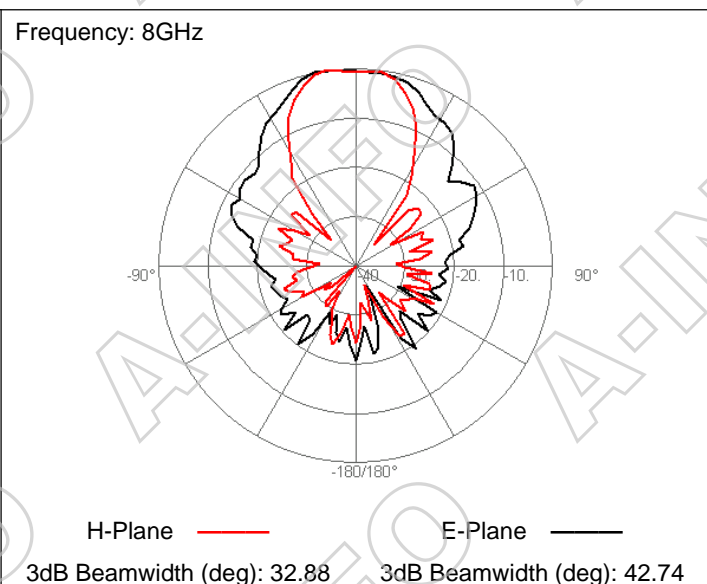
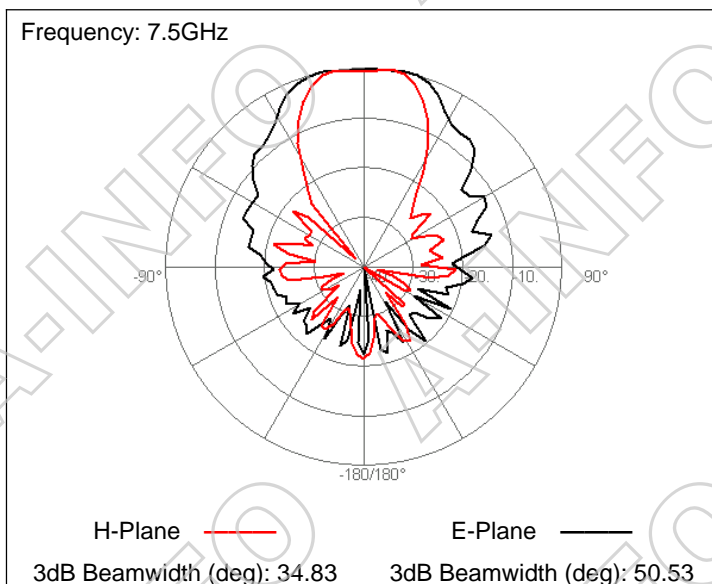
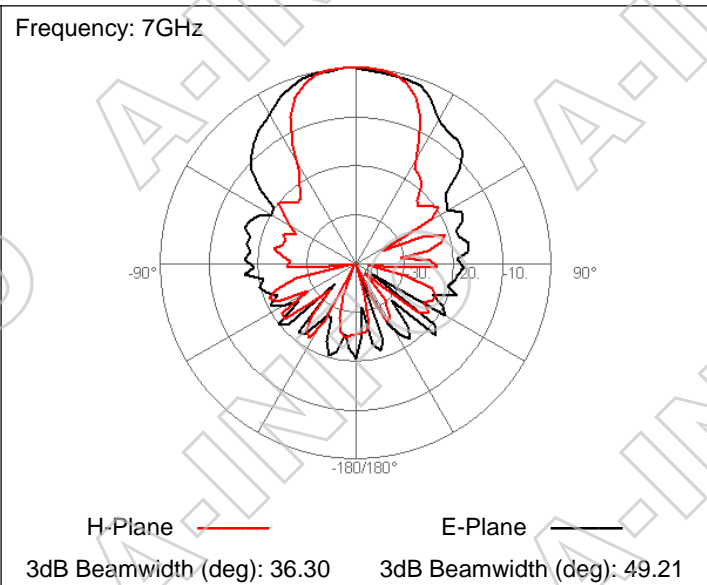
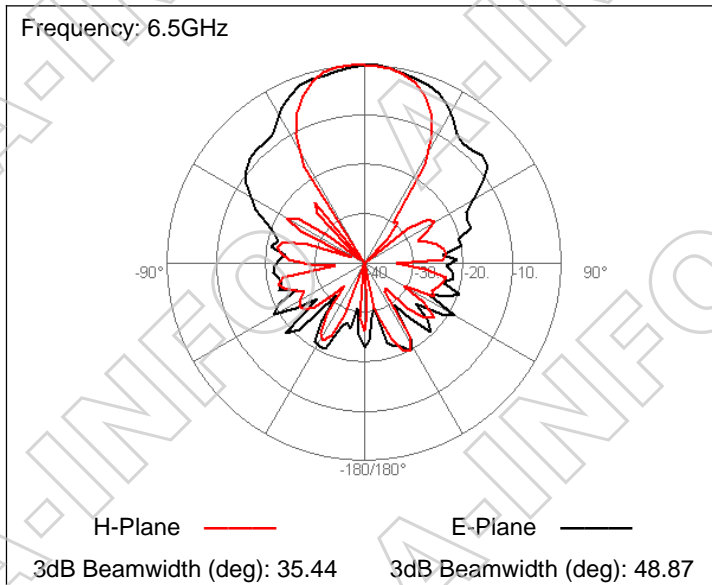


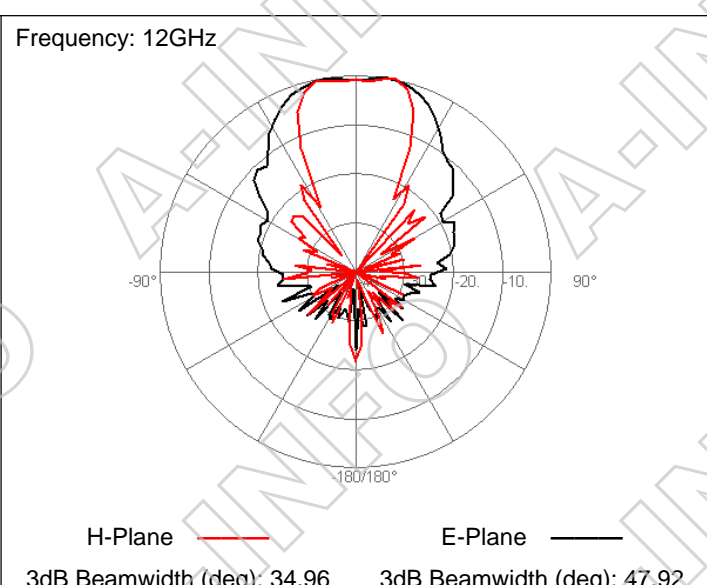
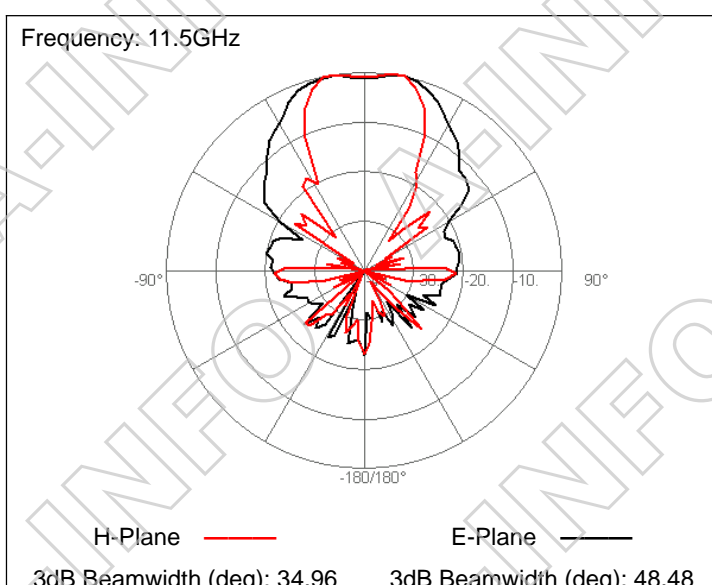
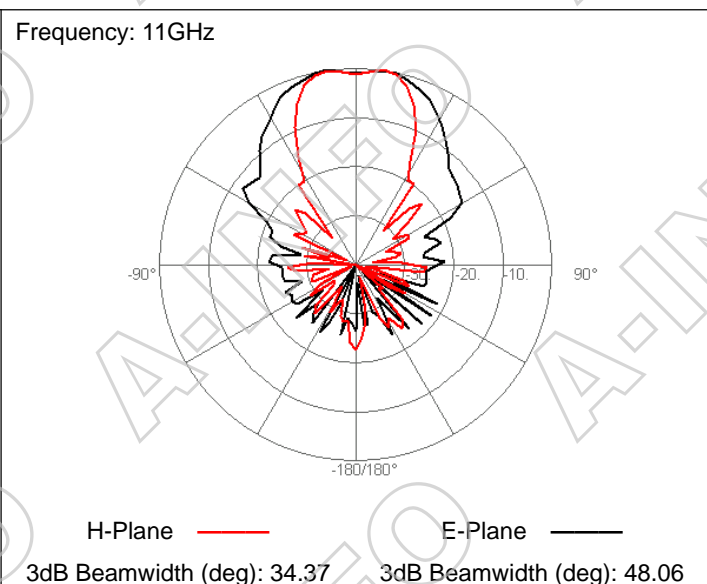
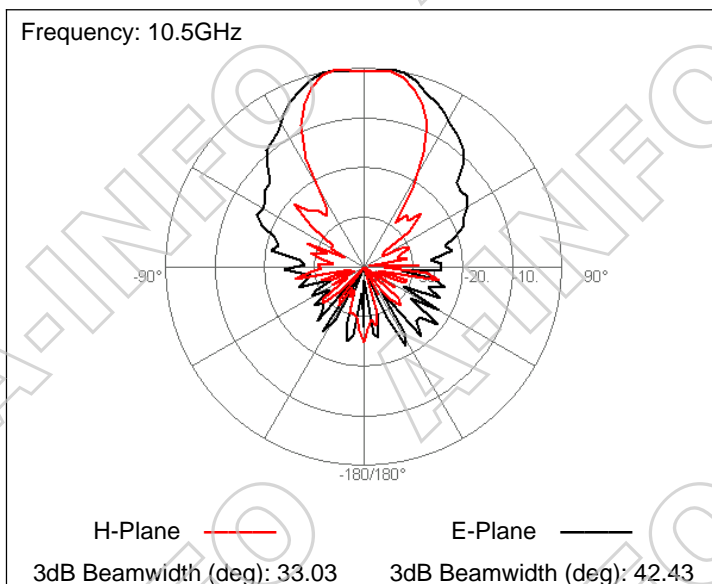
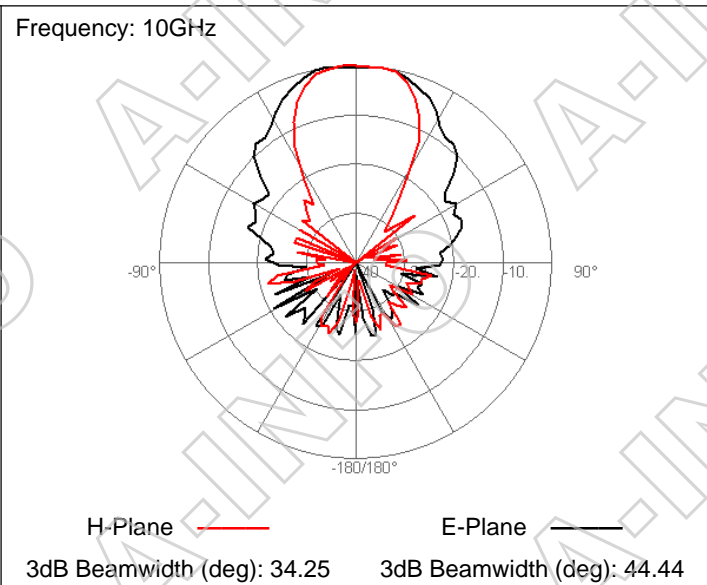
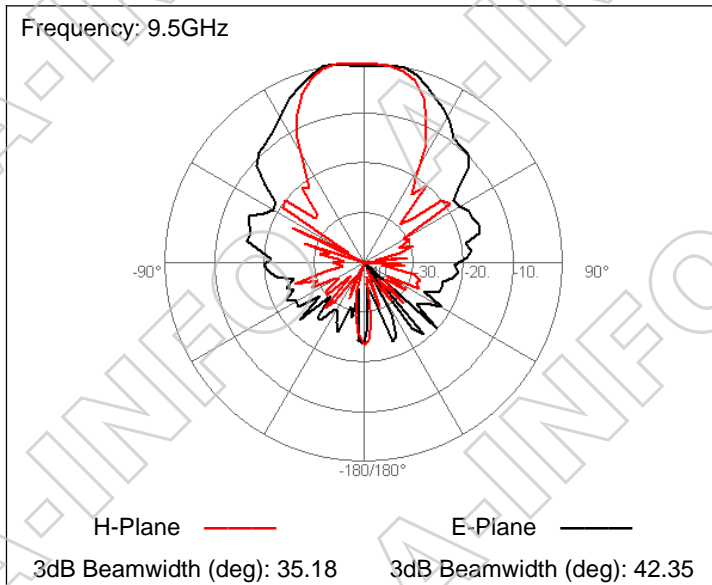
4. Pattern

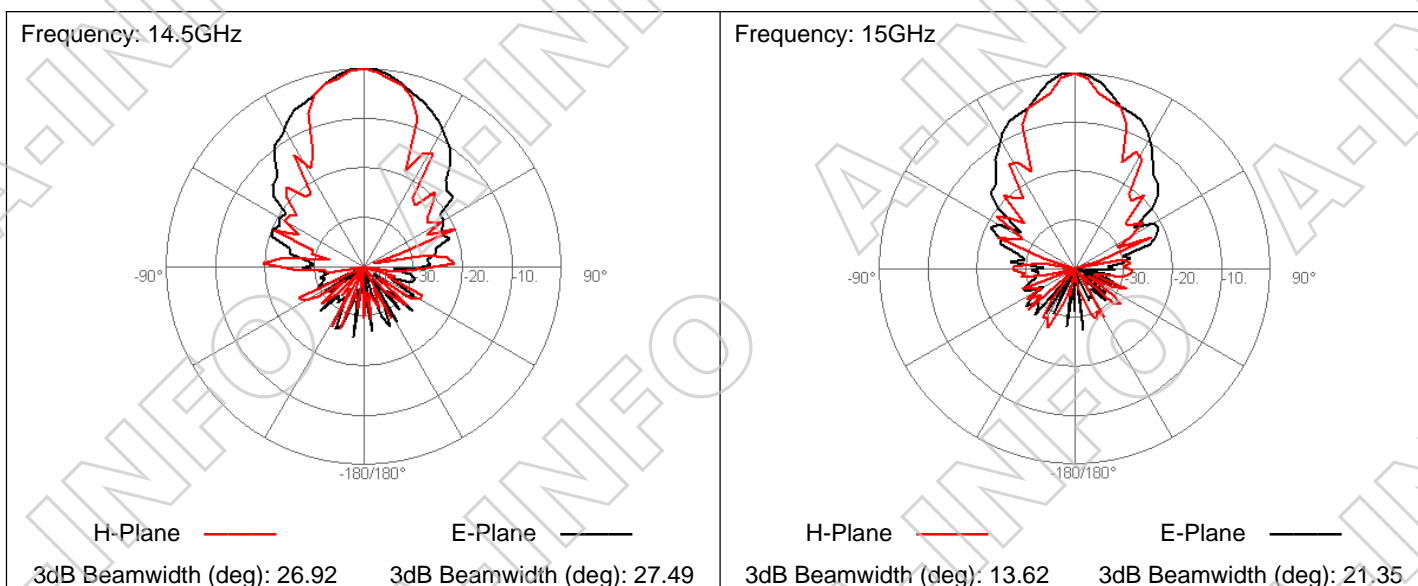
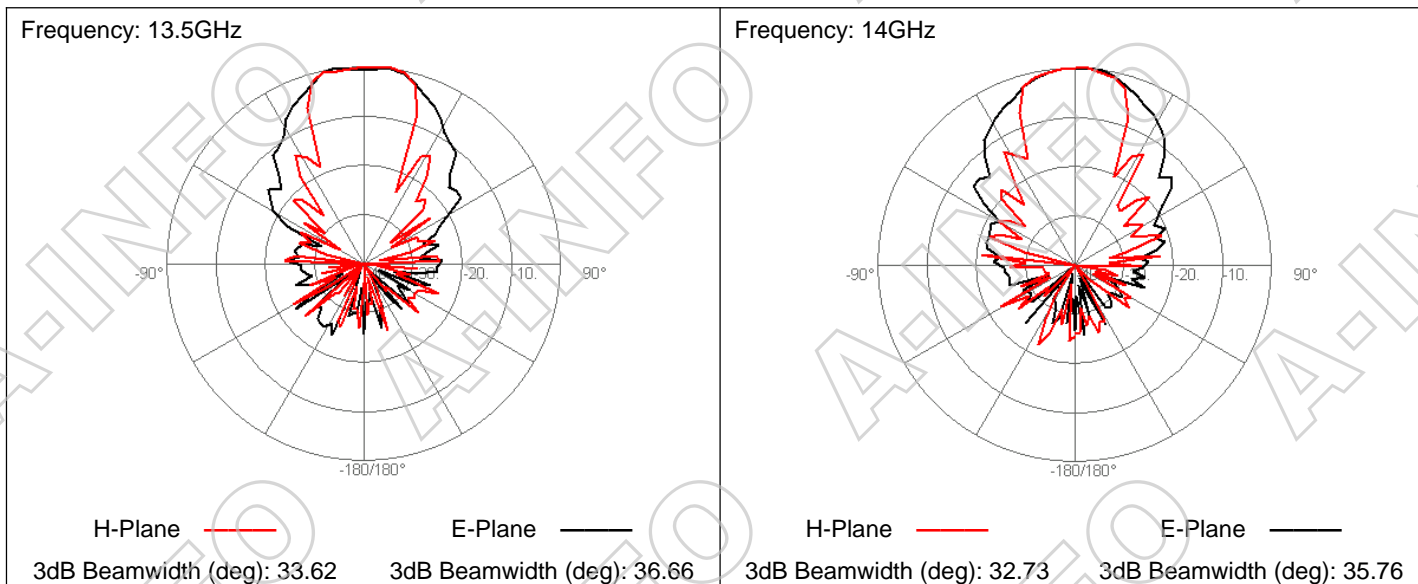
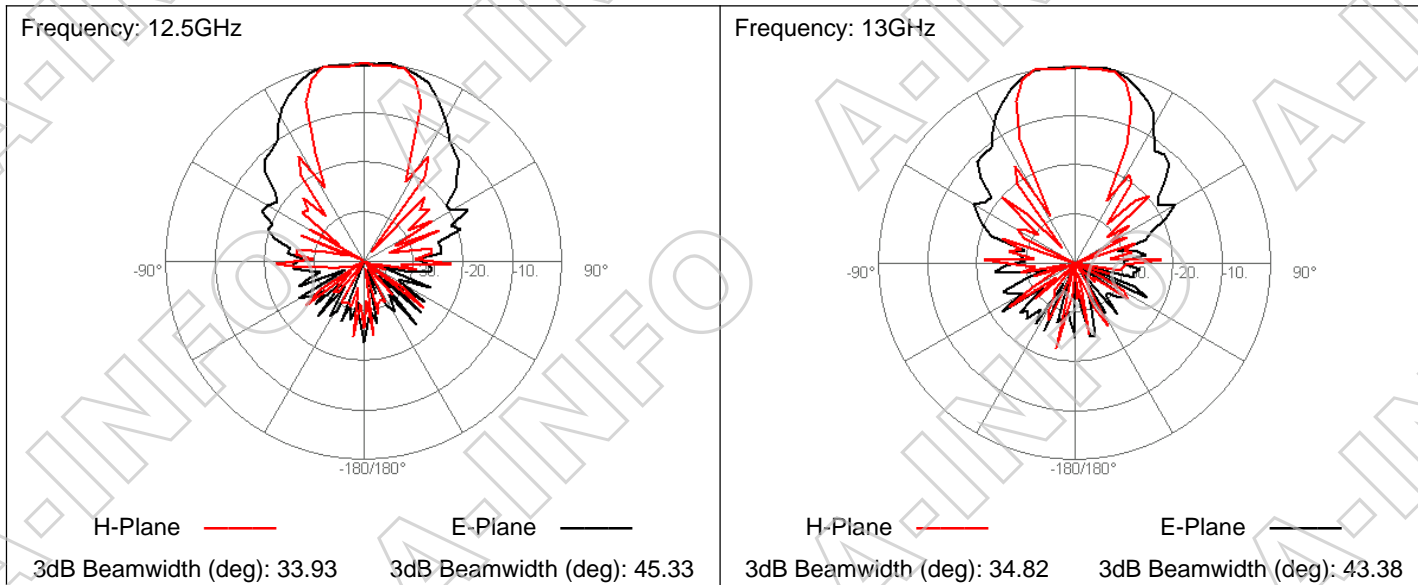


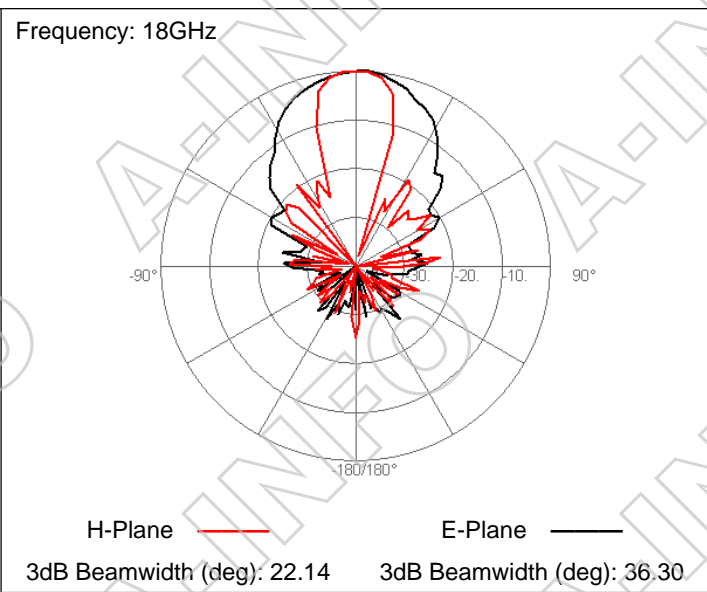
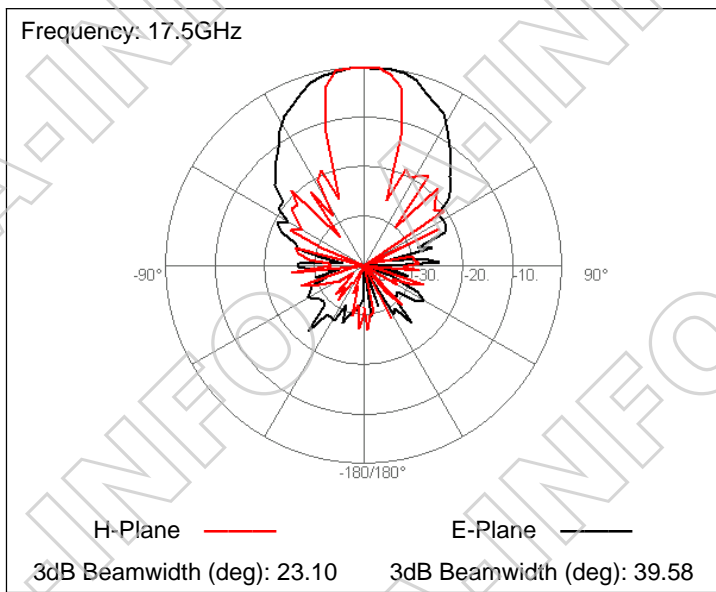
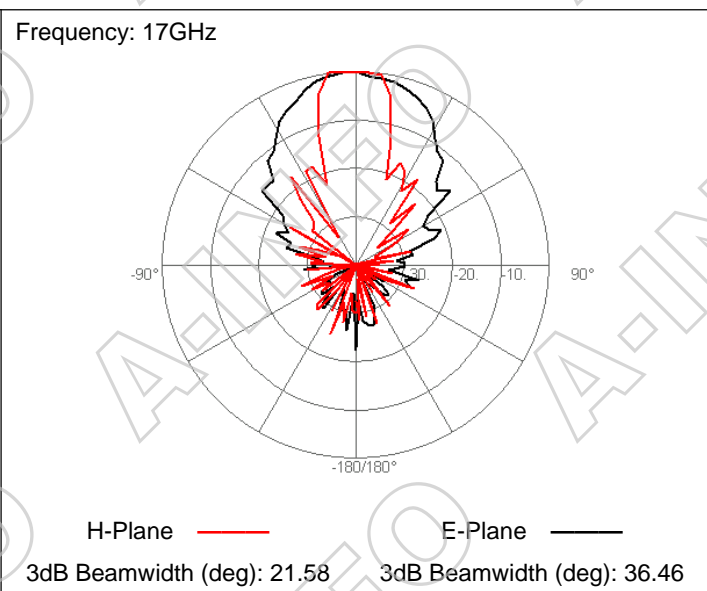
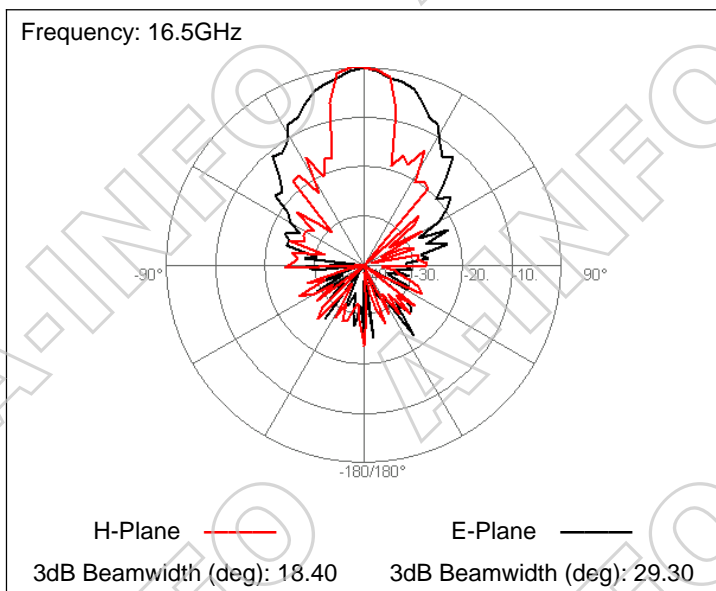
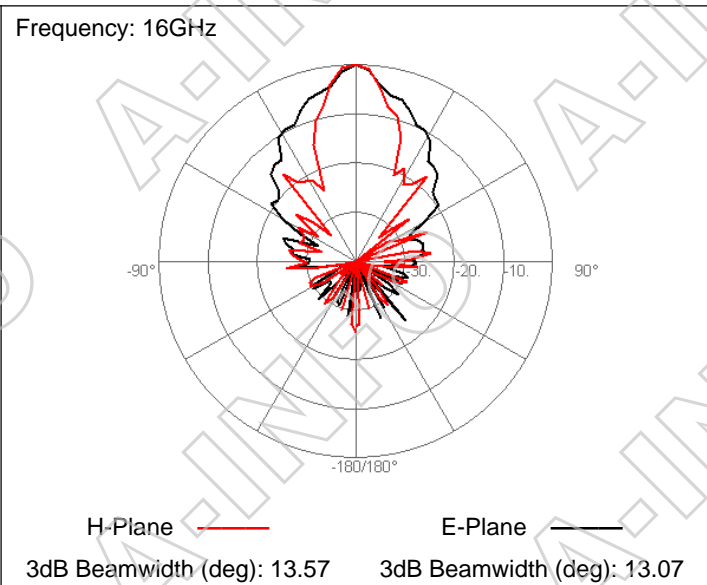
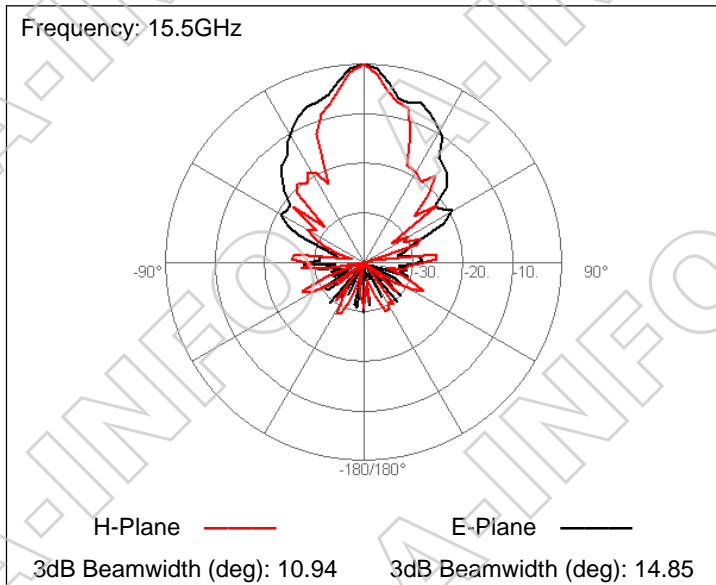












L Type Mounting Bracket



Description

Highly recommend for the usage of A-INFO Broadband Horn antennas and Dual Polarization Horn Antenna. Quick and easy change of antenna polarization, perfect antenna handling. Robust and sturdy. Suitable for A-INFO Standard Aluminum Alloy Tripod, P/N: Tripod_ 15Kg, and Wood Tripod, P/N: 3033HL .

Mounting Interface: 1/4"-20UNC Thread

For Model:

LB-7180, LB-880, LB-8180, LB-1080, LB-10125, LB-10180, LB-10200, LB-SJ-10100, LB-SJ-20180-P01/P02/P03

Ordering P/N: LB-10180-L

Aluminum Alloy Tripod



Description

Material: Aluminum Alloy

Section: 4 Sections

Maximum Tube Diameter: 25mm

The Highest Height: 158cm

The Lowest Height: 53cm

Carrying Capacity: 15 kg

Turning Range: 360 Deg. (Ball Construction)

Weight: 3.5 kg

Ordering P/N: Tripod_ 15Kg

Wood Tripod



Description

Mounting head made of wood, Minimum of metal components, Ideal for lab measurement.

Mounting Interface: 1/4"-20UNC Screw or 3/8"-16UNC Screw

Weight: 3,00 kg, (6,61 lb)

Minimum height: 75 cm , (30 inch)

Maximum height: 177 cm , (70 inch)

Load capacity: 10,00 kg , (22,05 lb)

Ordering P/N: 3033HL

Adapter, N Type Male to SMA Female



Description

This special high quality high precision adapter allows operation of A-INFO Antennas. This adapter is usable for very high frequencies up to at least 18GHz.

Nominal impedance 50 Ohms.

Body Material: 303 Stainless Steel-Polished & Passivated.

Center Contact: Beryllium Copper Plated Gold

Insulators: PTFE

Ordering P/N: HPA125-02

Low Loss Phase Stable Cable Assemblies, DC-18GHz

0.5m, 1m, 3m, 5m, 10m, SMA-M / SMA-M and SMA-M / N-M

Description

High quality low loss phase stable cable assemblies for connecting A-INFO Antenna with various test equipment like Keysight, R&S, Anritsu VNA or Spectrum Analyzer. Those cables are low loss and phase stable, suitable for high precision measurement.

Typical Loss: 1.23dB/m typ. @ 18.0GHz.

Typical Phase Stability VS Bend: $\pm 3^\circ$ @ 18GHz



Ordering P/N:

| Ordering P/N | Connector | Length(m) |
|------------------------|---------------|-----------|
| SM-SM-SFD210A-18-500 | SMA-M / SMA-M | 0.5 |
| SM-NM-SFD210A-18-500 | SMA-M / N-M | 0.5 |
| SM-SM-SFD210A-18-1000 | SMA-M / SMA-M | 1.0 |
| SM-NM-SFD210A-18-1000 | SMA-M / N-M | 1.0 |
| SM-SM-SFD210A-18-3000 | SMA-M / SMA-M | 3.0 |
| SM-NM-SFD210A-18-3000 | SMA-M / N-M | 3.0 |
| SM-SM-SFD210A-18-5000 | SMA-M / SMA-M | 5.0 |
| SM-NM-SFD210A-18-5000 | SMA-M / N-M | 5.0 |
| SM-SM-SFD210A-18-10000 | SMA-M / SMA-M | 10.0 |
| SM-NM-SFD210A-18-10000 | SMA-M / N-M | 10.0 |

Low Loss Phase Stable Cable Assemblies With Armor, DC-18GHz

0.5m, 1m, 3m, 5m, 10m, SMA-M / SMA-M and SMA-M / N-M

Description

High quality low loss phase stable cable assemblies with **Stainless Steel Armor** for connecting A-INFO Antenna with various test equipment like Keysight, R&S, Anritsu VNA or Spectrum Analyzer. Those cables are low loss and phase stable, suitable for high precision measurement.

Typical Loss: 1.23dB/m typ. @ 18.0GHz.

Typical Phase Stability VS Bend: $\pm 3^\circ$ @ 18GHz



Ordering P/N:

| Ordering P/N | Connector | Length(m) |
|---------------------------|---------------|-----------|
| SM-SM-SFD210A-18SSK-500 | SMA-M / SMA-M | 0.5 |
| SM-NM-SFD210A-18SSK-500 | SMA-M / N-M | 0.5 |
| SM-SM-SFD210A-18SSK-1000 | SMA-M / SMA-M | 1.0 |
| SM-NM-SFD210A-18SSK-1000 | SMA-M / N-M | 1.0 |
| SM-SM-SFD210A-18SSK-3000 | SMA-M / SMA-M | 3.0 |
| SM-NM-SFD210A-18SSK-3000 | SMA-M / N-M | 3.0 |
| SM-SM-SFD210A-18SSK-5000 | SMA-M / SMA-M | 5.0 |
| SM-NM-SFD210A-18SSK-5000 | SMA-M / N-M | 5.0 |
| SM-SM-SFD210A-18SSK-10000 | SMA-M / SMA-M | 10.0 |
| SM-NM-SFD210A-18SSK-10000 | SMA-M / N-M | 10.0 |

Aluminum Carrying Case



Description

For all A-INFO Broadband Horn Antennas. Safe, Easy to carry and Convenient for storage.

Ordering P/N: Please ask A-INFO for P/N.