

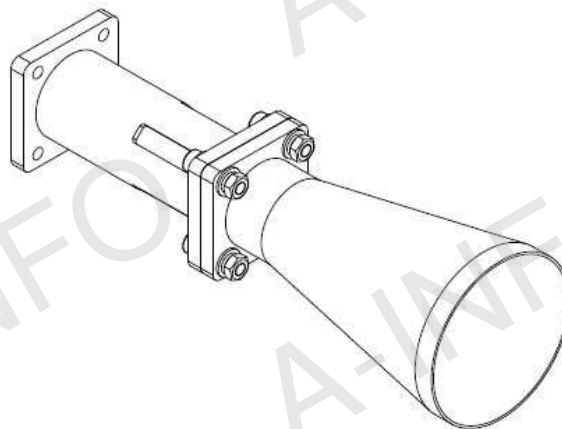
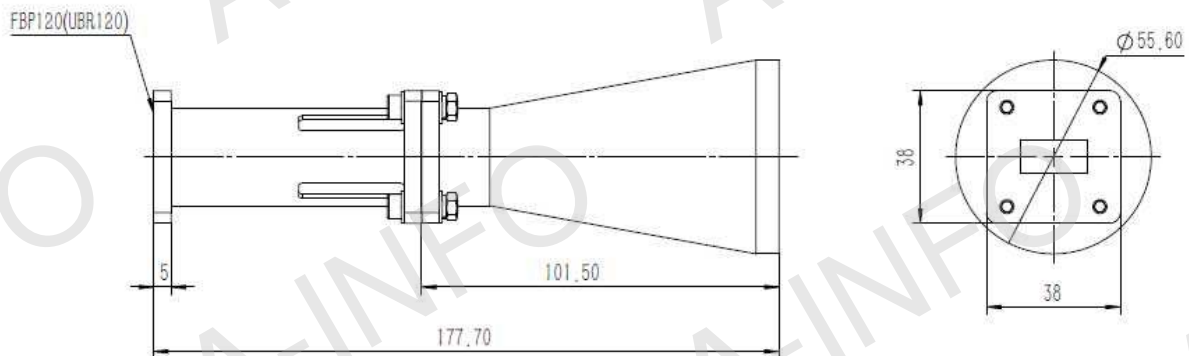
Technical Specification



Frequency Range(GHz)	10.0 - 15.0
Waveguide	WR75
Gain(dB)	15 Typ.
Polarization	Linear
3dB Beamwidth(deg)	E Plane: 27 Typ.
	H Plane: 30 Typ.
Cross Pol. Isolation(dB)	-40 Typ.
VSWR	A Type: 1.25 Max.
	C Type: 1.5 Max.
Output	A Type: FBP120(UBR120)
	C Type: SMA-Female or N-Female
Material	Al
Size(mm)	A Type: $\Phi 55.6 \times 177.7$
	C Type: $\Phi 55.6 \times 207.7$
Net Weight(Kg)	A Type: 0.18 Around
	C Type: 0.25 Around

Outline Drawing (Size: mm)

A Type(With FBP120 Output)



AINFO Inc.

Page 1 of 8

China(Beijing):
China(Chengdu):
USA :

Tel: (+86) 10-6266-7326,
Tel: (+86) 28-8519-2786,
Tel: (+1) 949-639-9688,

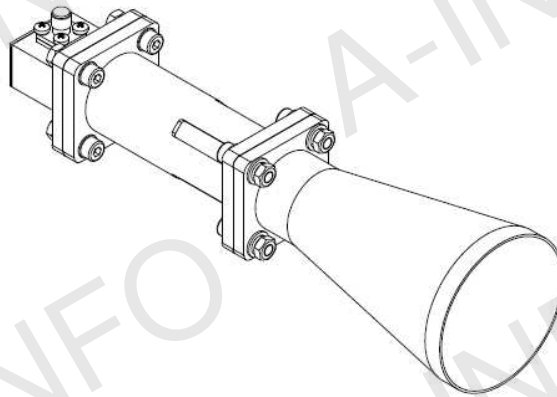
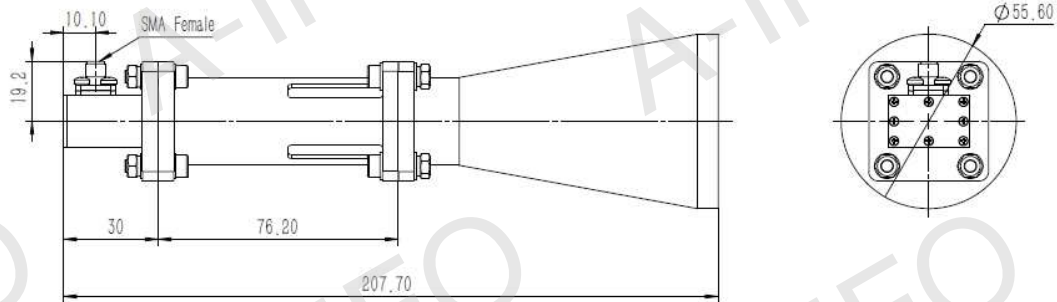
(+86) 10-6266-7327
(+86) 28-8519-3044
(+1) 949-639-9608

Fax: (+86) 10-6266-7379
Fax: (+86) 28-8519-3068
Fax: (+1) 949-639-9670

Website: www.ainfoinc.com
Email: sales@ainfoinc.com

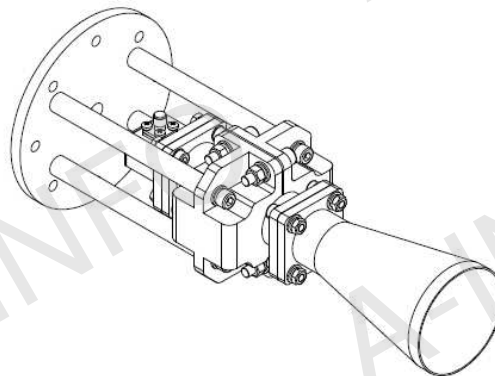
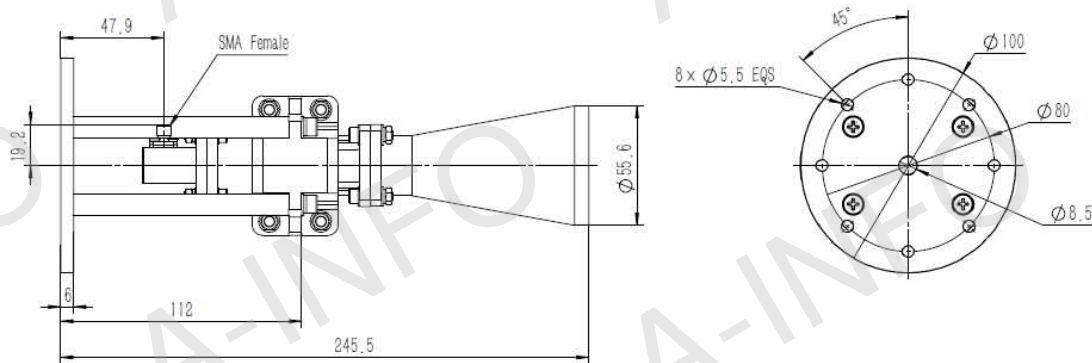
C Type (With SMA-Female Output)

For N-Female output outline drawing, please contact A-INFO.

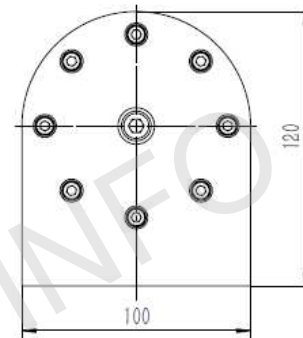
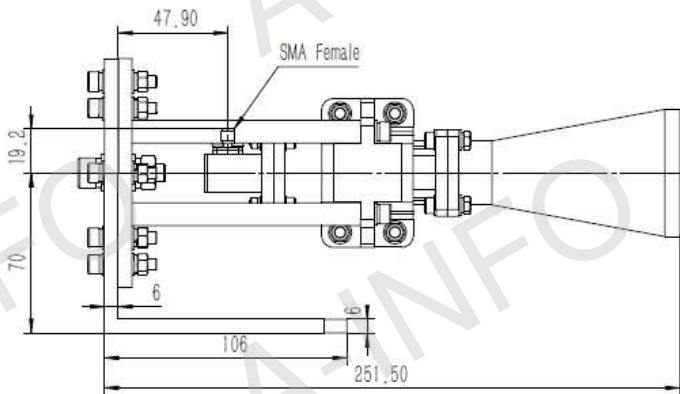
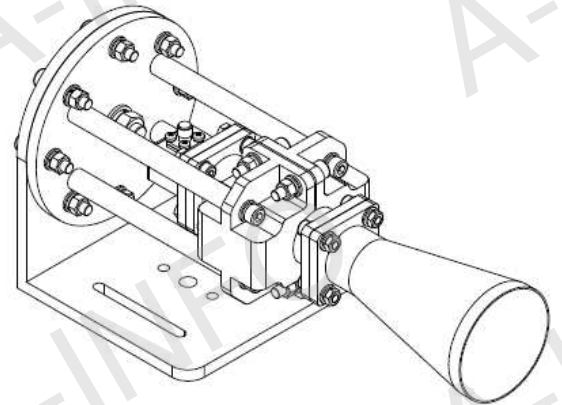
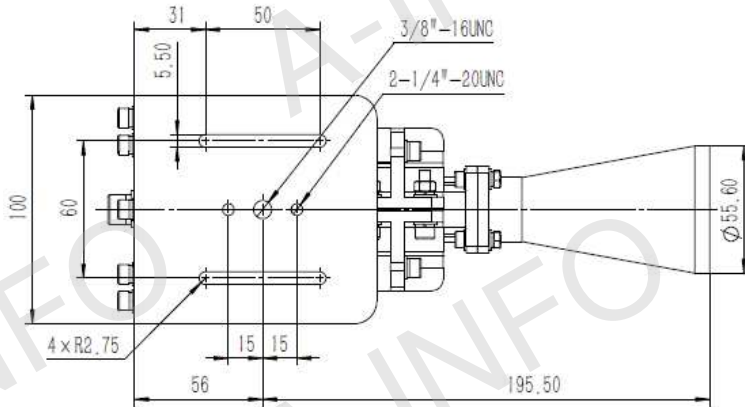


C Type (With SMA-Female Output & Round Mounting Bracket)

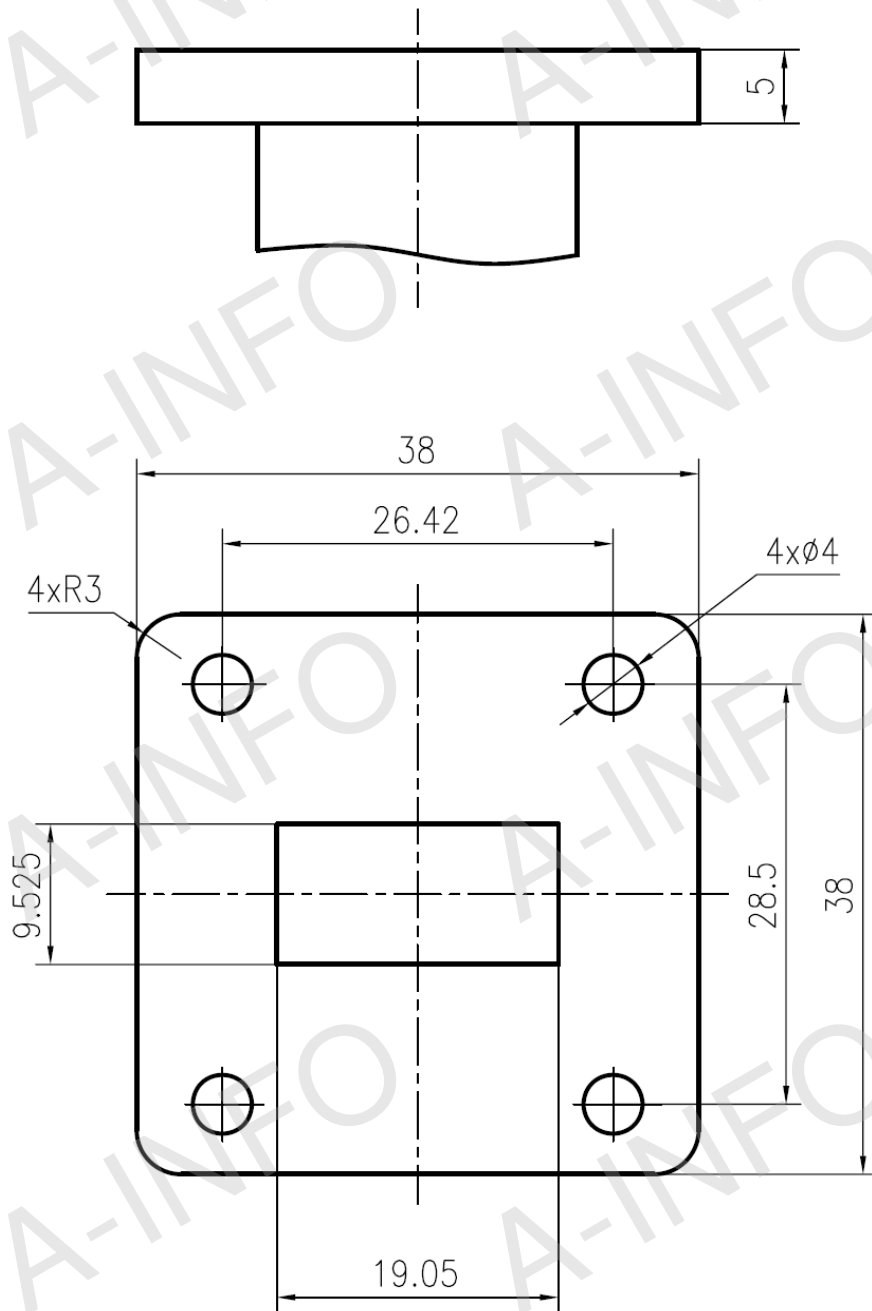
For N-Female output outline drawing, please contact A-INFO.



C Type (With SMA-Female Output & L Type Mounting Bracket)
For N-Female output outline drawing, please contact A-INFO.



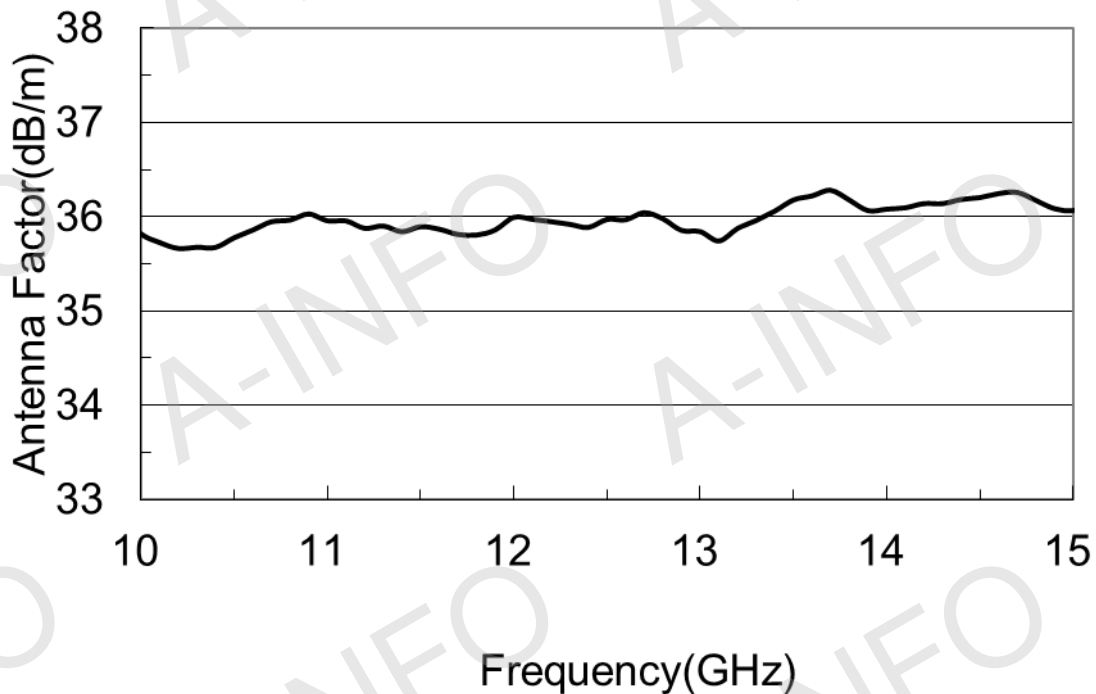
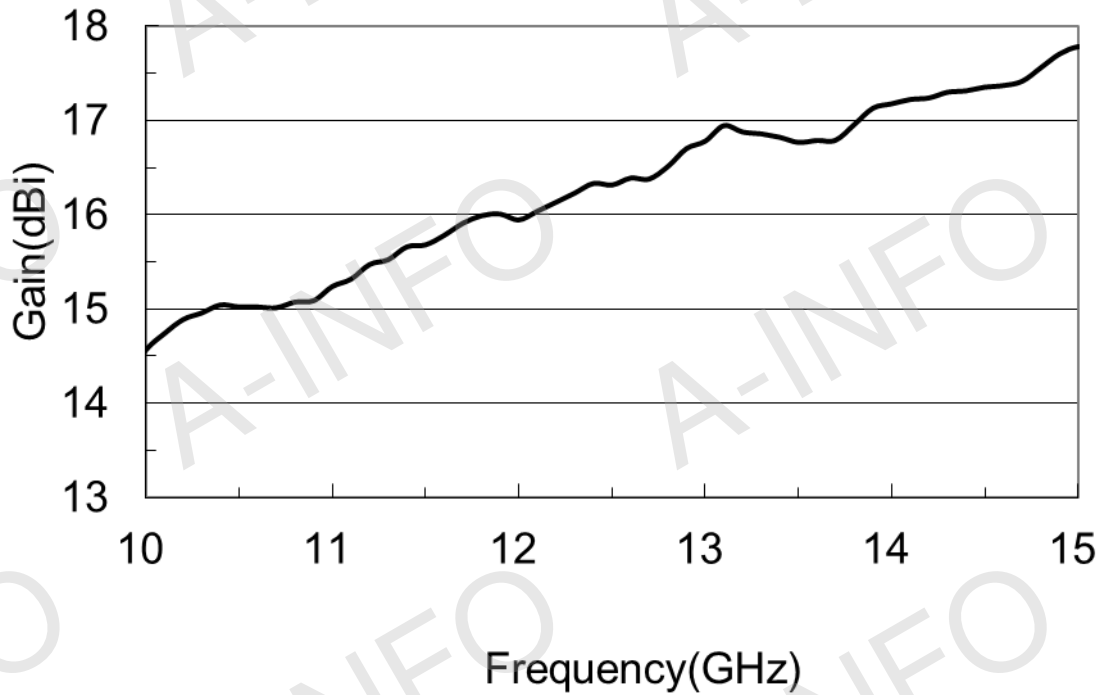
Flange Drawing (Size: mm)



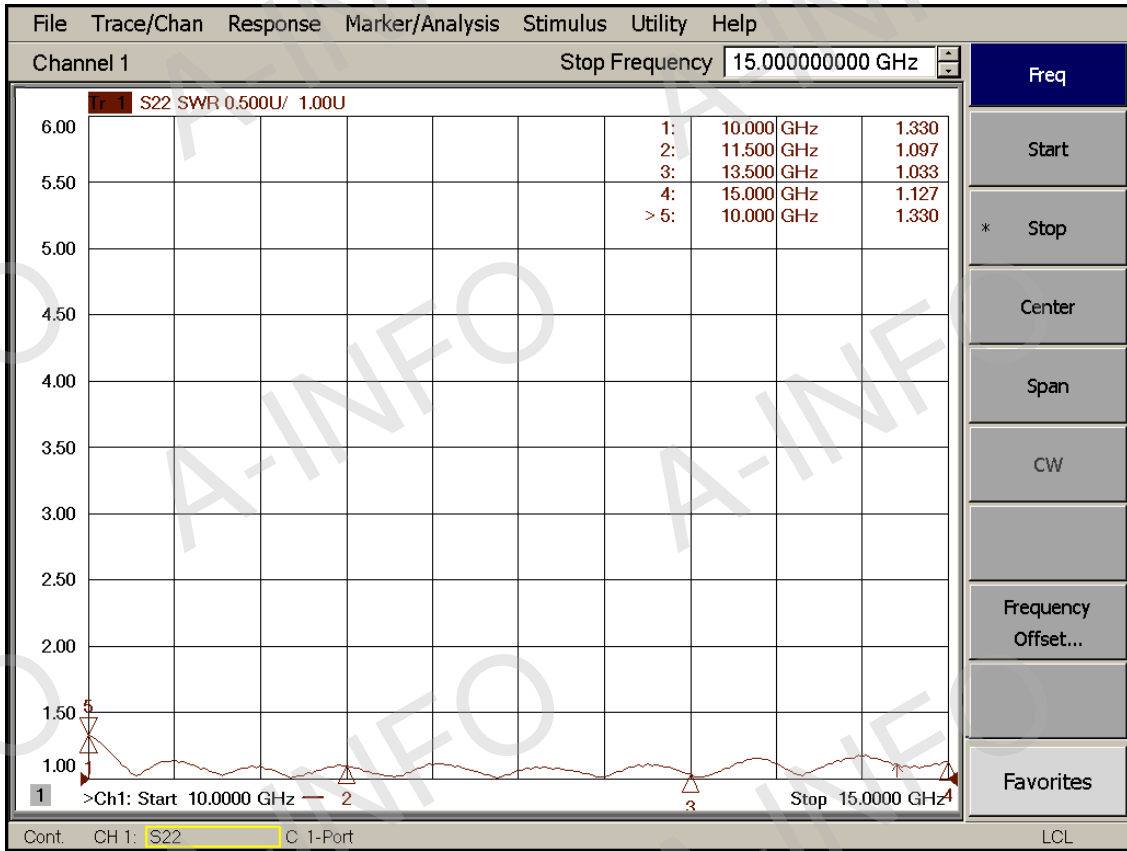
FBP120

Test Results

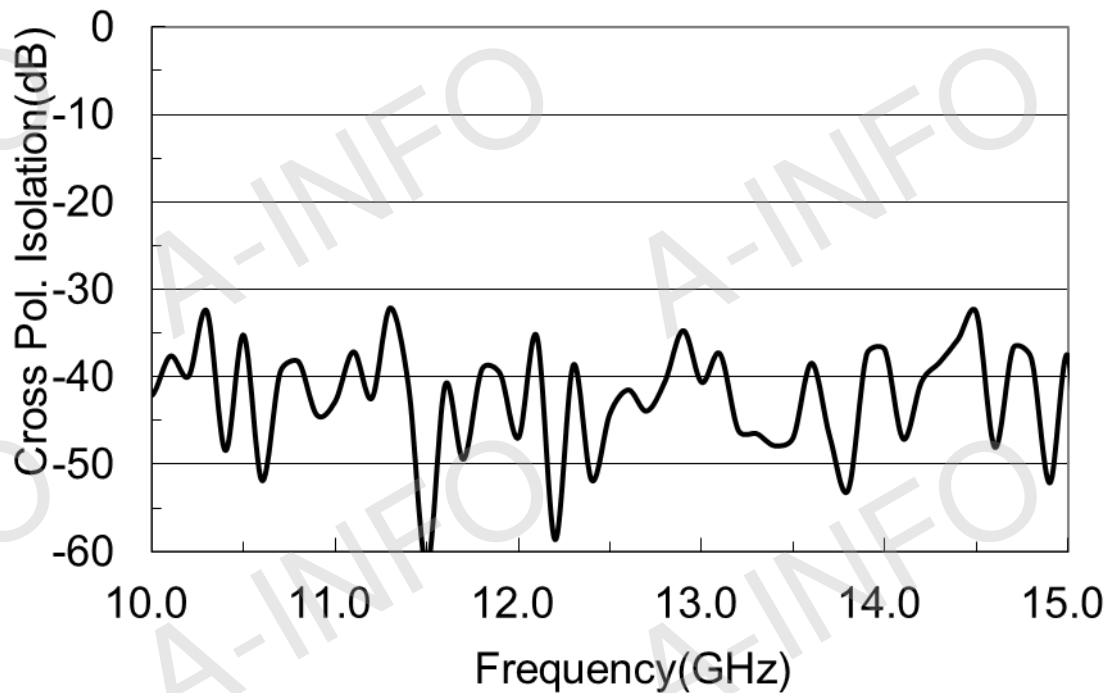
1. Gain and Antenna Factor



2. VSWR



3. Cross Polarization Isolation



4. Pattern

