

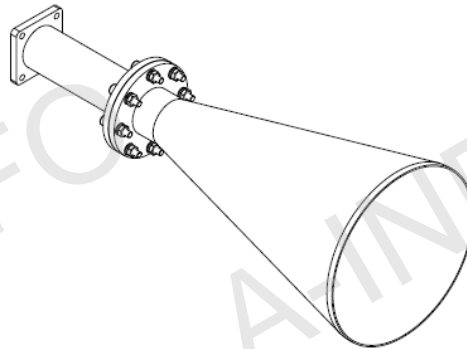
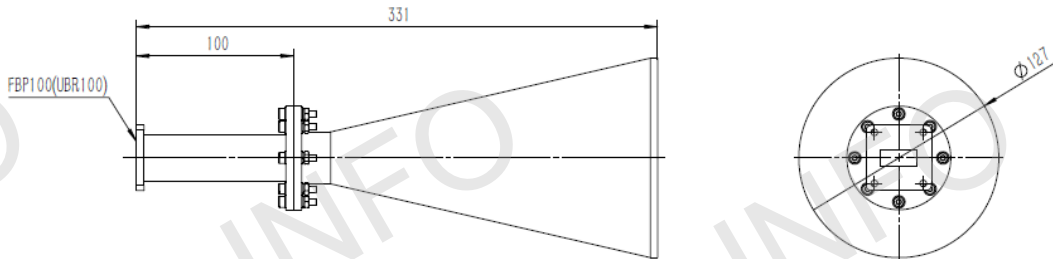
Technical Specification



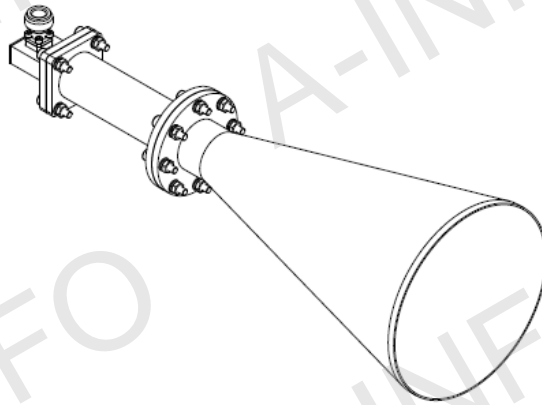
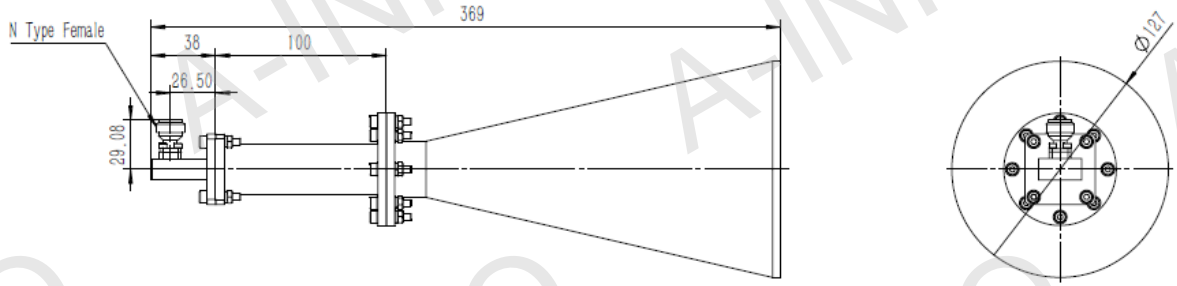
Frequency Range(GHz)	8.2-12.4
Waveguide	WR90
Gain(dB)	20 Typ.
3dB Beamwidth(deg)	E Plane: 15 Typ.
	H Plane: 13 Typ.
Polarization	Linear
Cross Pol. Isolation(dB)	-45 Typ.
VSWR	A Type: 1.5 Max.
	C Type: 1.5 Max.
Material	Al
Output	A Type: FBP100(UBR100)
	C Type: N-Female or SMA-Female
Size(mm)	A Type: $\Phi 127 \times 331$
	C Type: $\Phi 127 \times 369$
Net Weight(Kg)	A Type: 0.55 Around
	C Type: 0.60 Around

Outline Drawing (Size: mm)

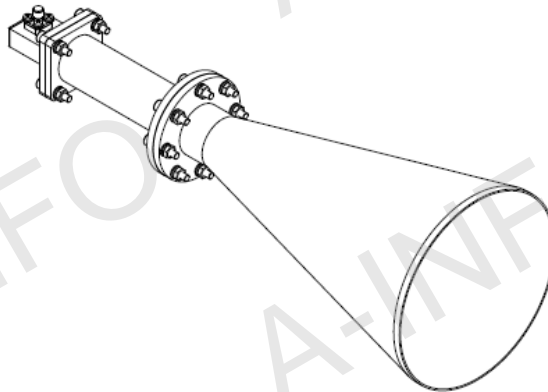
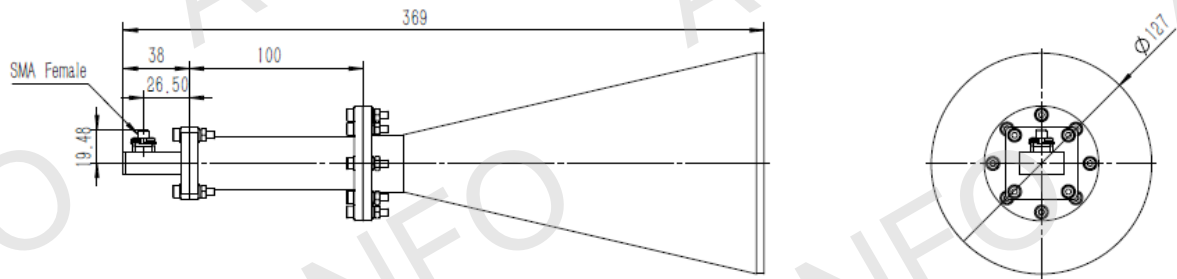
A Type (Waveguide Output)



C Type (With N Type Female Output)

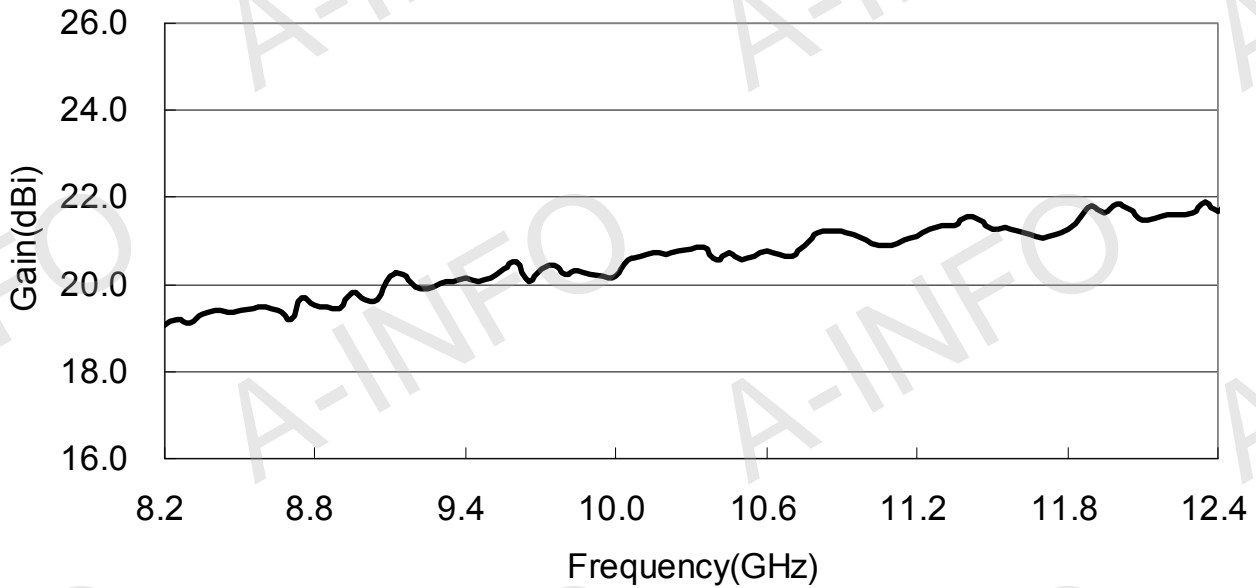


C Type (With SMA Female Output)

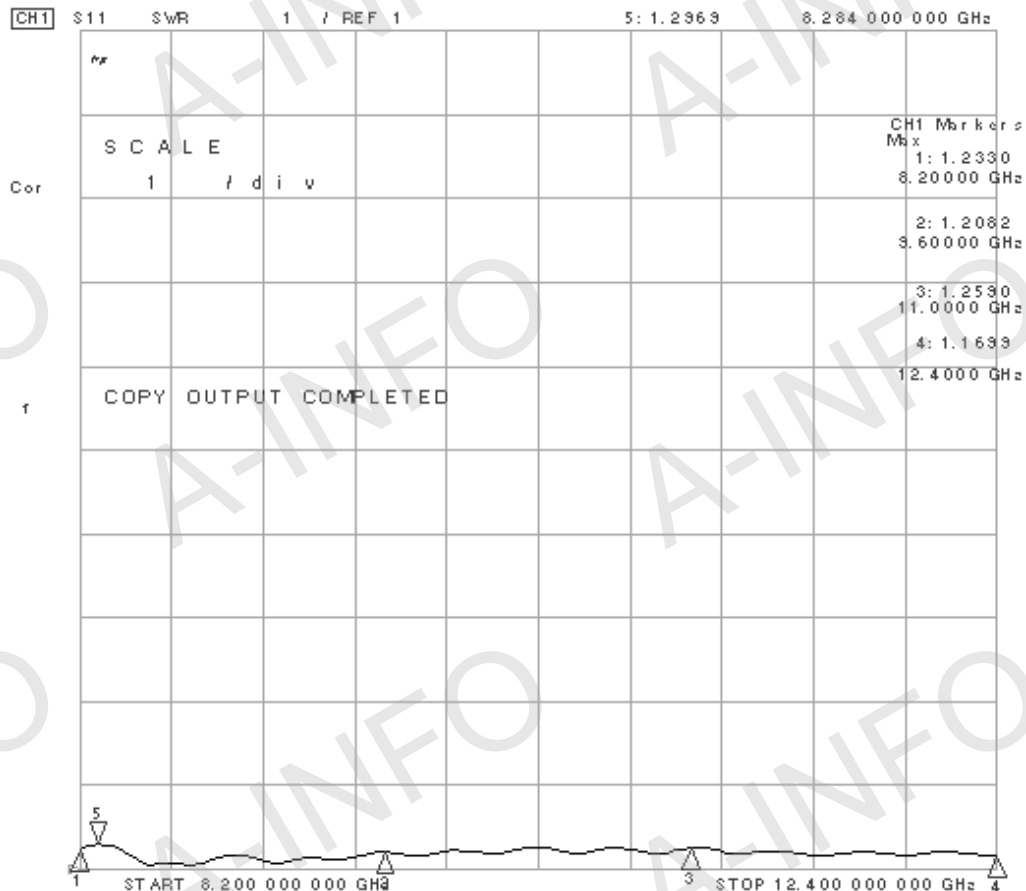


Test Results

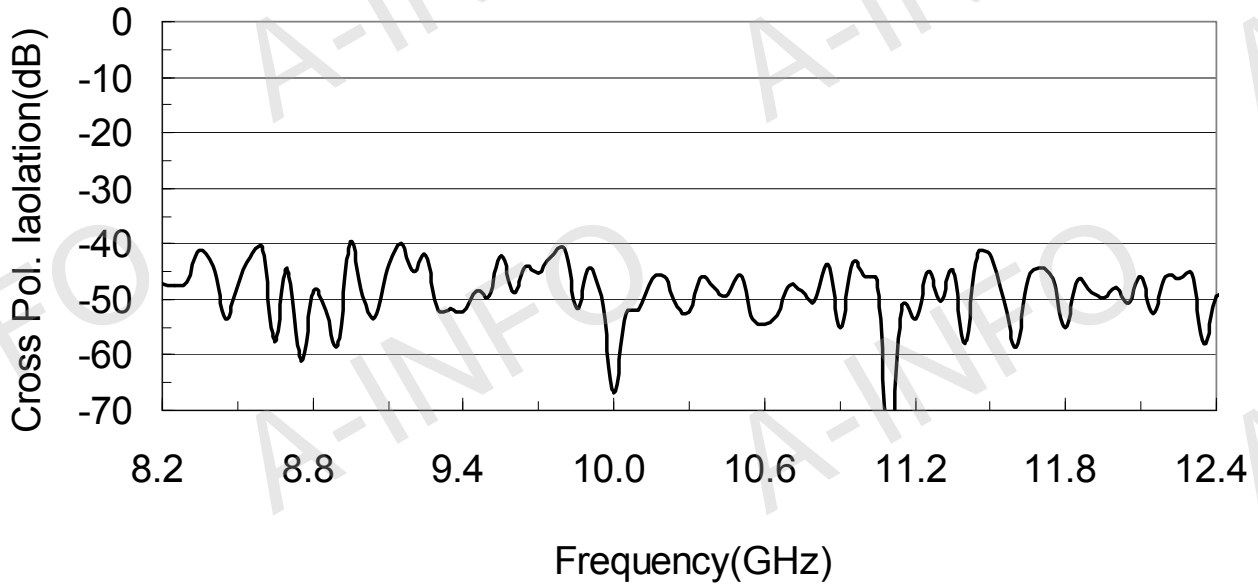
1. Gain



2. VSWR



3. Cross Polarization Isolation



4. Pattern

