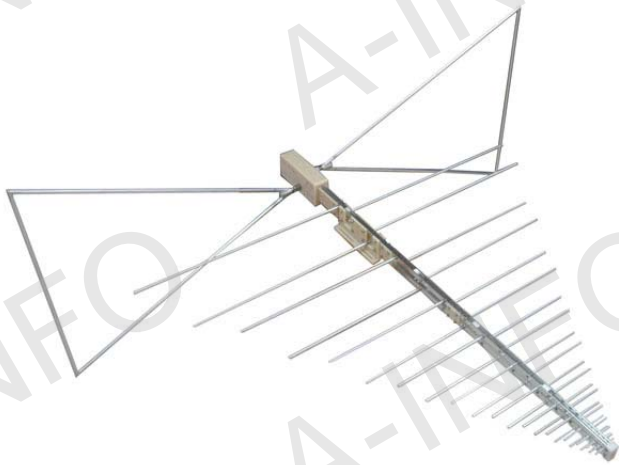
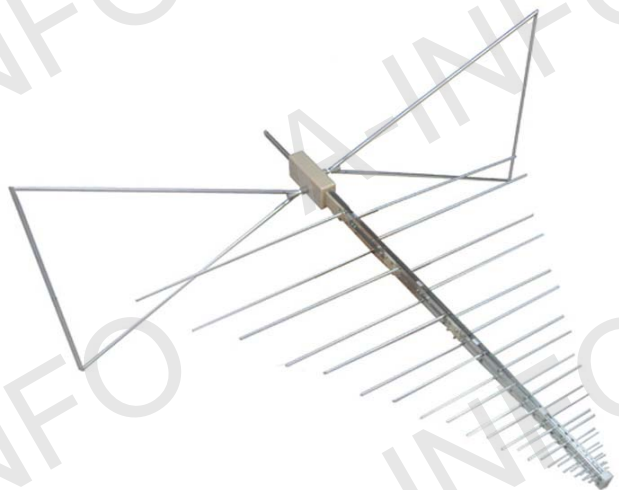


Technical Specification



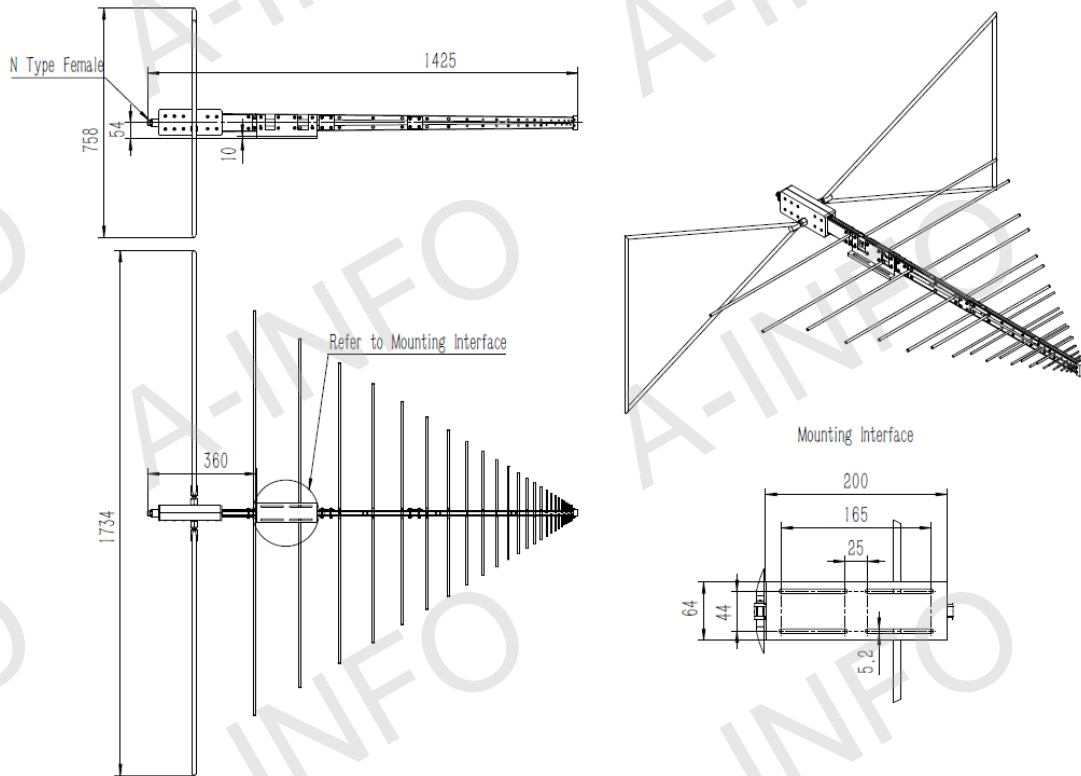
| <i>P/N: DS-3200</i> | |
|----------------------|------------------------------------|
| Frequency Range(GHz) | 0.03 - 2.0 |
| Gain(dB) | -10 - 6.0 Typ. |
| Polarization | Linear |
| VSWR | 10.0 Typ.(30-50MHz) |
| | 2.0 Typ.(50-100MHz) |
| | 1.5 Typ./ 2.0 Max (100-2000MHz) |
| Connector | N-Female |
| Power handling(W) | 300 CW |
| Size(mm) | 1734 x 1425 |
| Net Weight(Kg) | 3.5 Around |



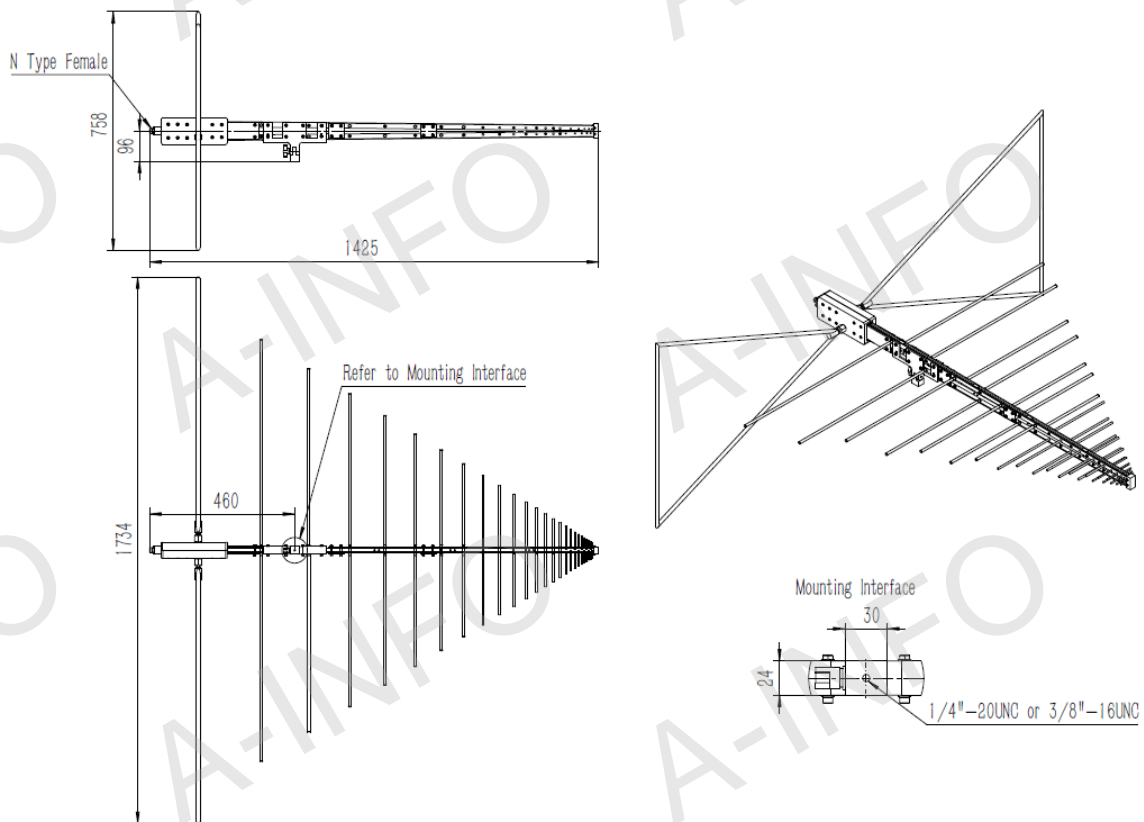
| <i>P/N: DS-3200E</i> | |
|----------------------|------------------------------------|
| Frequency Range(GHz) | 0.03 - 2.0 |
| Gain(dB) | -10 - 6.0 Typ. |
| Polarization | Linear |
| VSWR | 10.0 Typ.(30-50MHz) |
| | 2.0 Typ.(50-100MHz) |
| | 1.5 Typ./ 2.0 Max (100-2000MHz) |
| Connector | N-Female |
| Power handling(W) | 300 CW |
| Size(mm) | 1734 x 1601 |
| Net Weight(Kg) | 4.3 Around |

Outline Drawing (Size: mm)

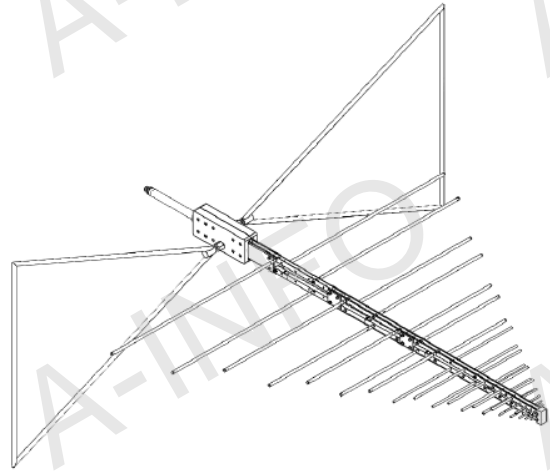
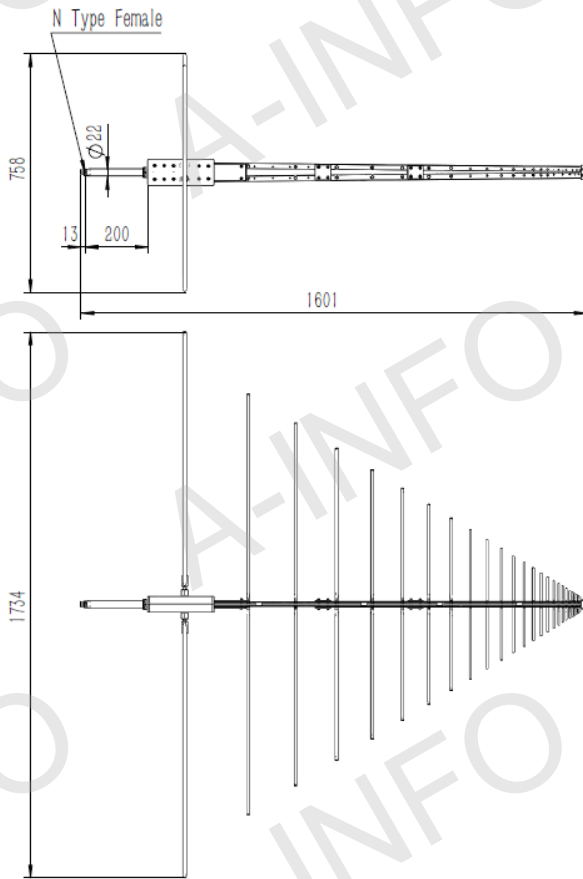
DS-3200 with Mounting Bracket



DS-3200 with Mounting Bracket for Tripod Application

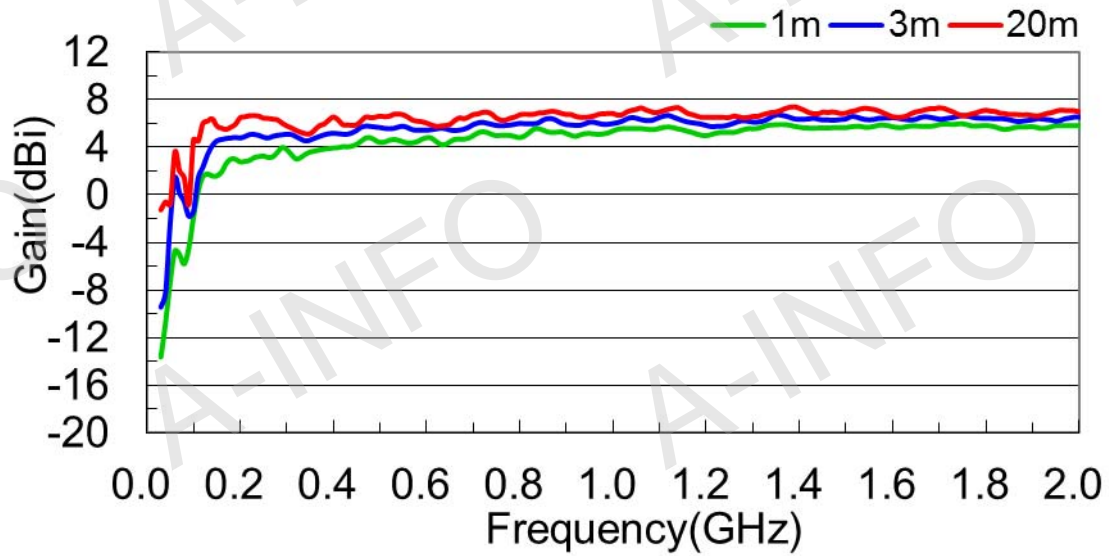


DS-3200E

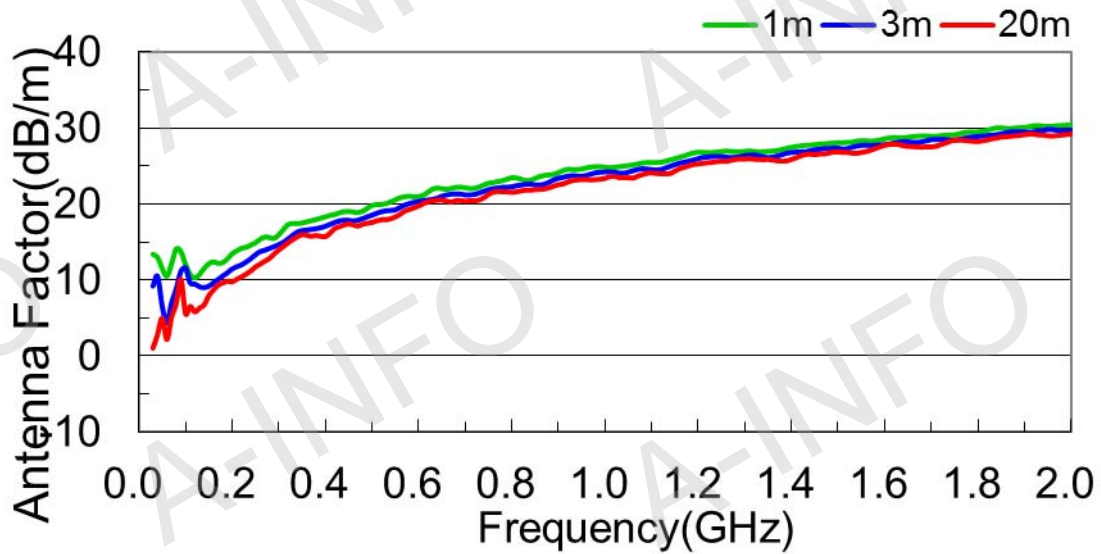


Test Results

1. Gain



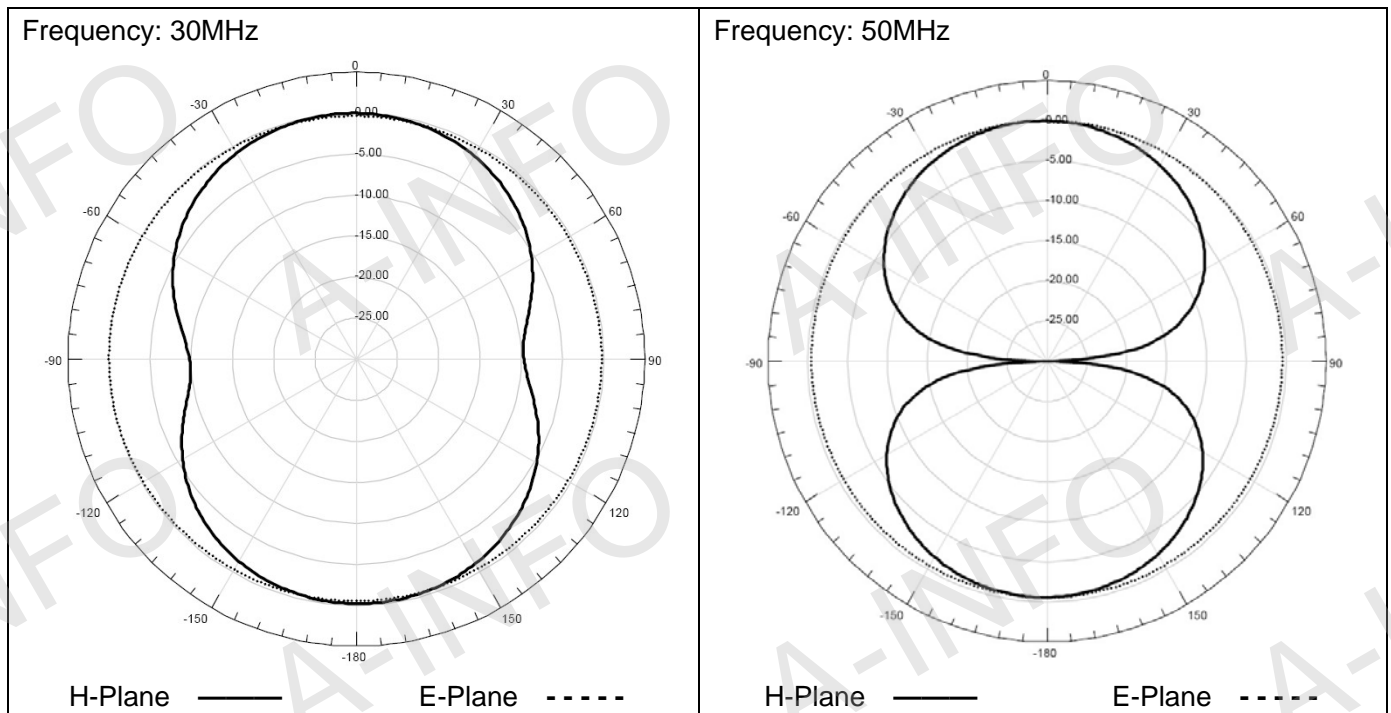
2. Antenna Factor

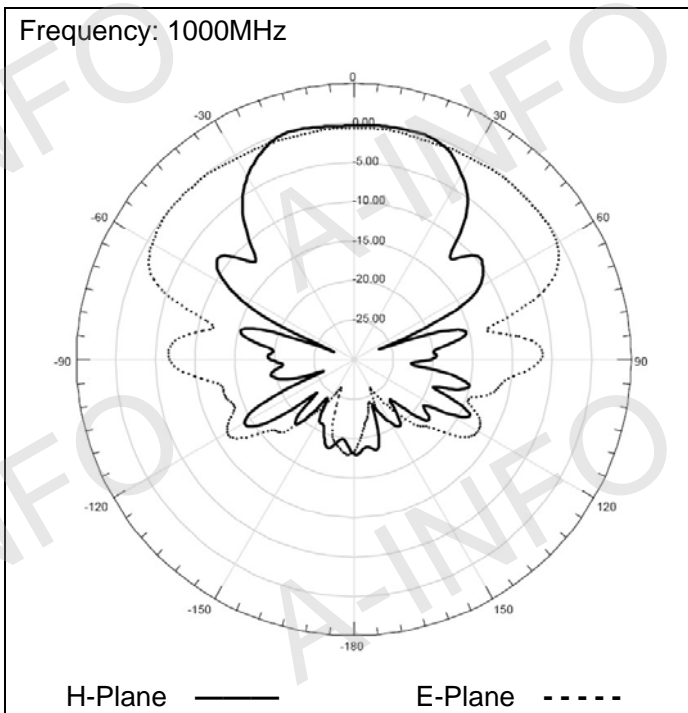
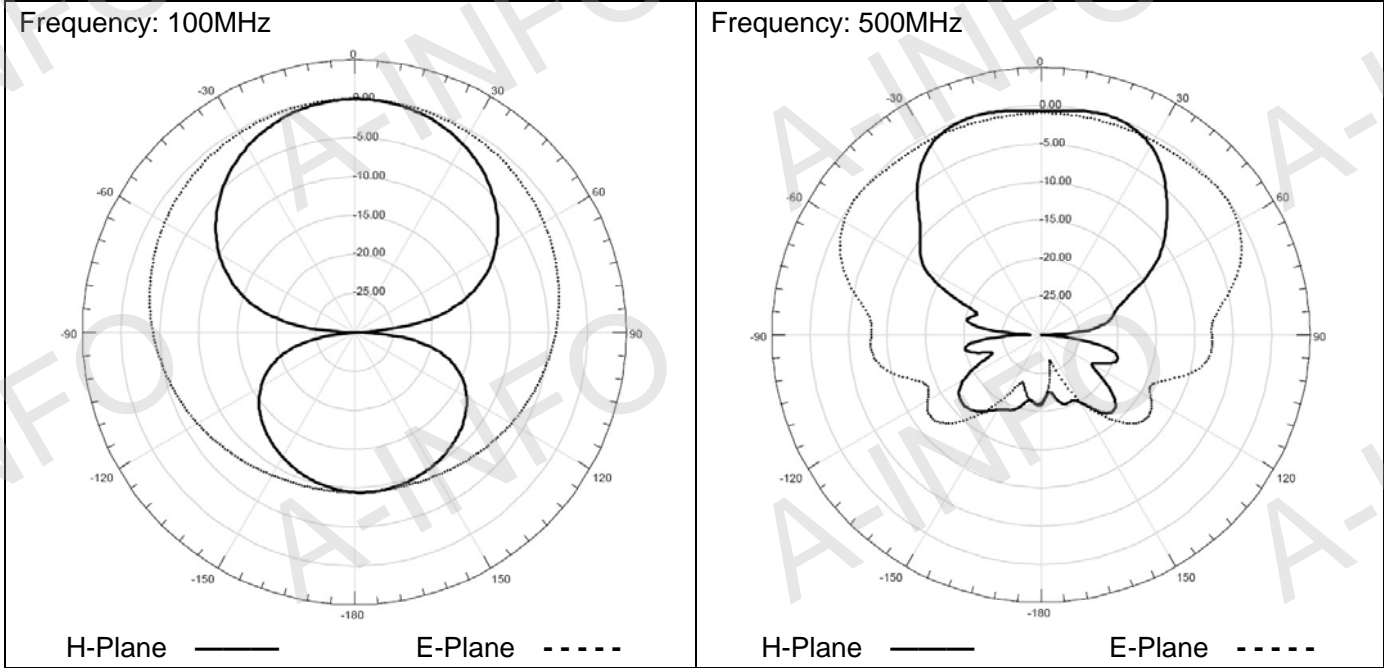


3. VSWR (10.0 Typ. 30-50MHz, 2.0 Typ. 50-100MHz, 1.5 Typ. / 2.0 Max 100-2000MHz)

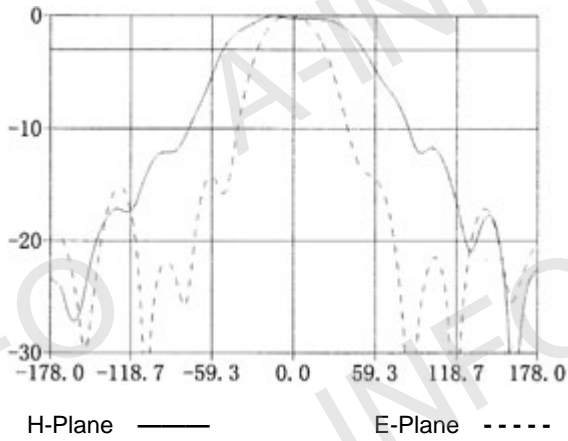


4. Pattern



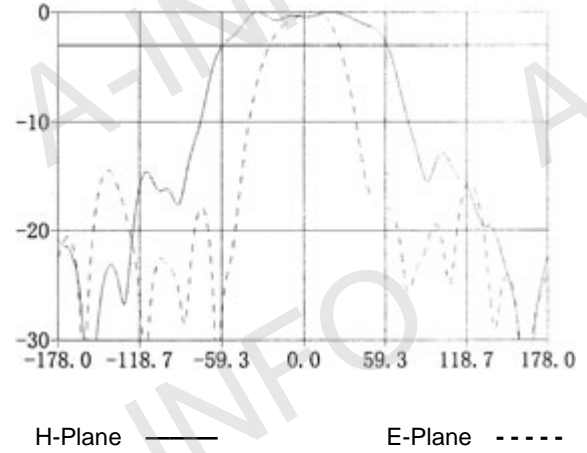


Frequency: 1500MHz



3dB Beamwidth (deg): 101.99 3dB Beamwidth (deg): 49.17

Frequency: 2000MHz



3dB Beamwidth (deg): 119.28 3dB Beamwidth (deg): 50.88