

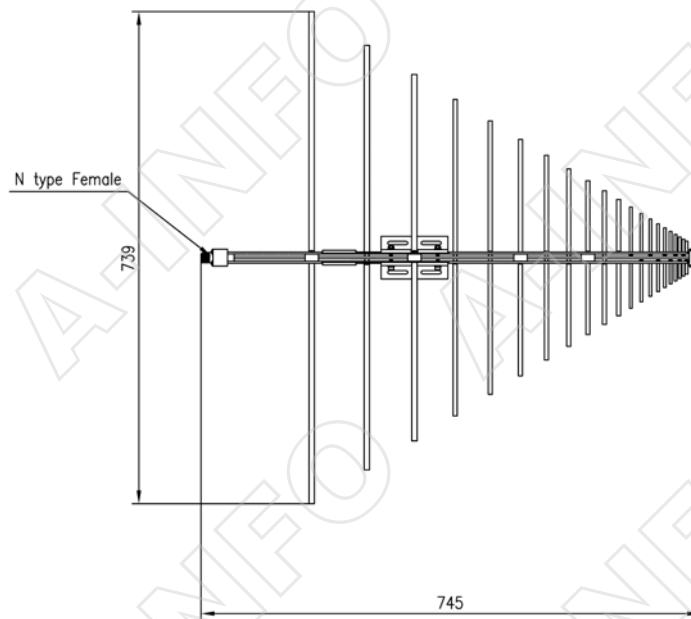
Technical Specification



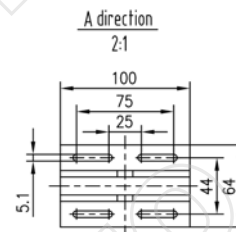
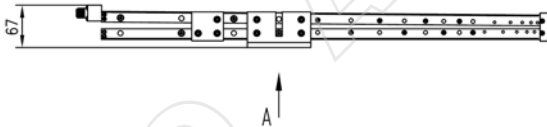
Frequency Range(GHz)	0.25 - 2.0
Gain(dB)	6 Typ.
Polarization	Linear
VSWR	2.0 Typ.
Connector	N-Female
Size(mm)	739 x 745 x 67
Net Weight(Kg)	1.0 Around

The picture is for reference only.

Outline Drawing (Size: mm)

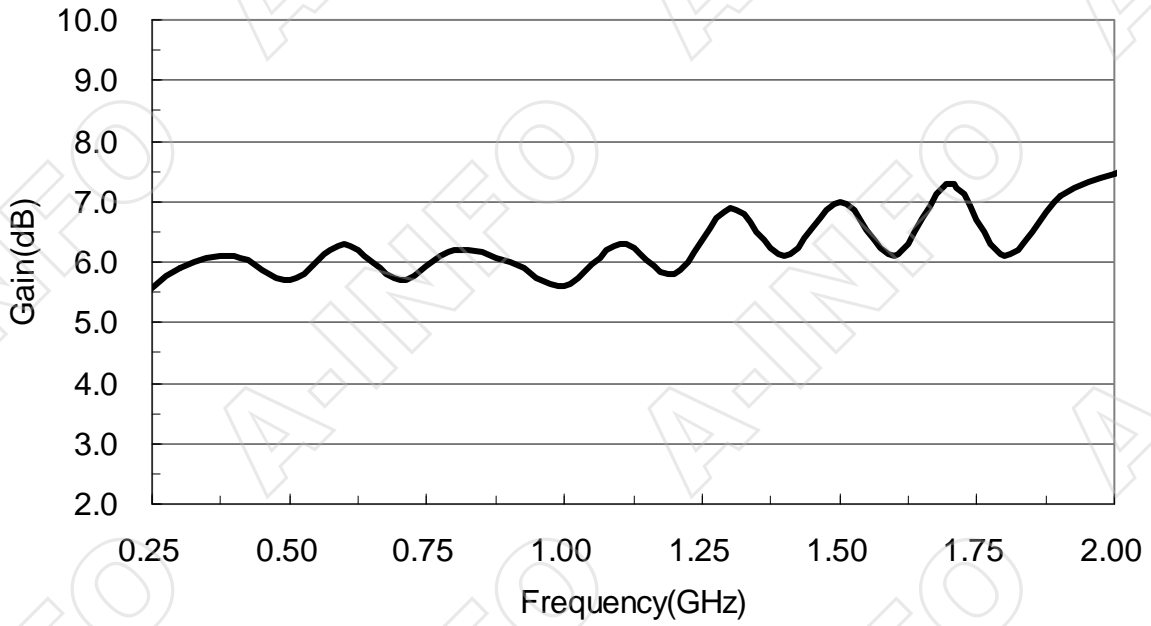


Mounting Bracket

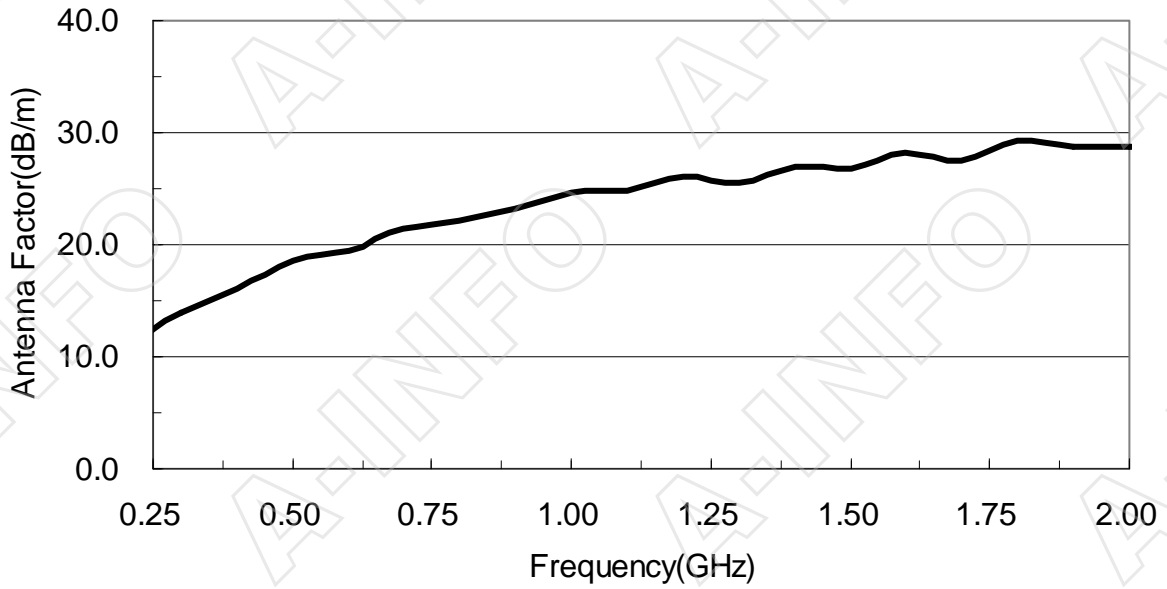


Test Results

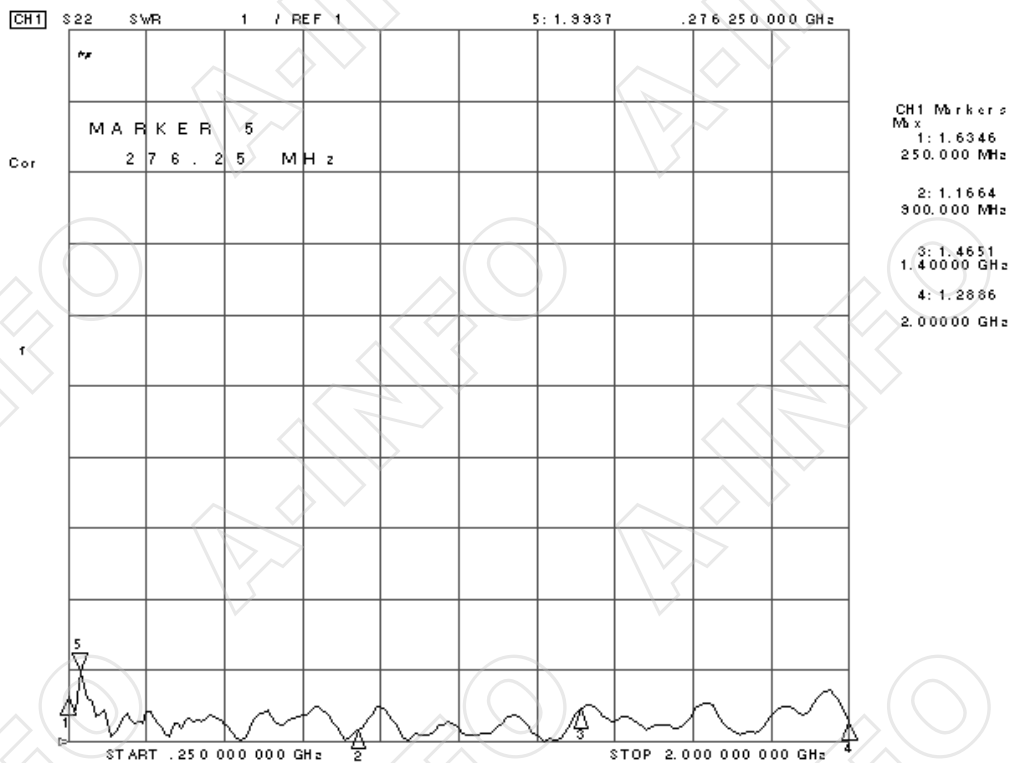
1. Gain



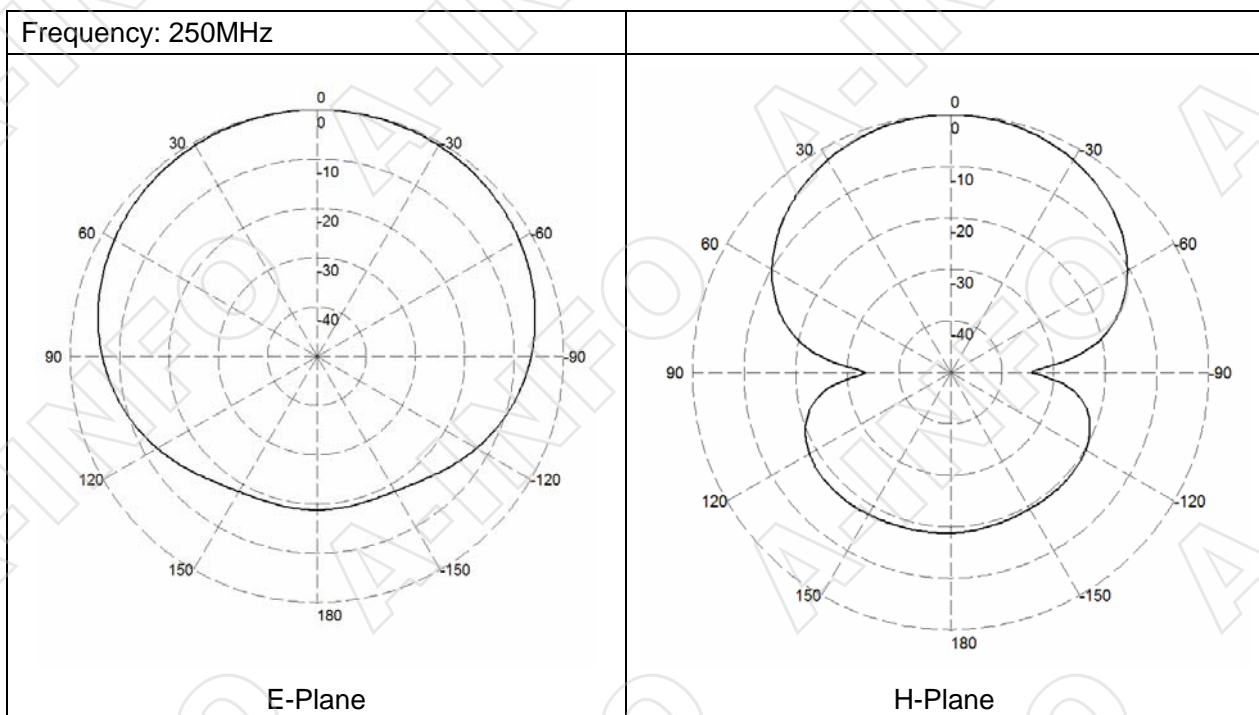
2. Antenna Factor



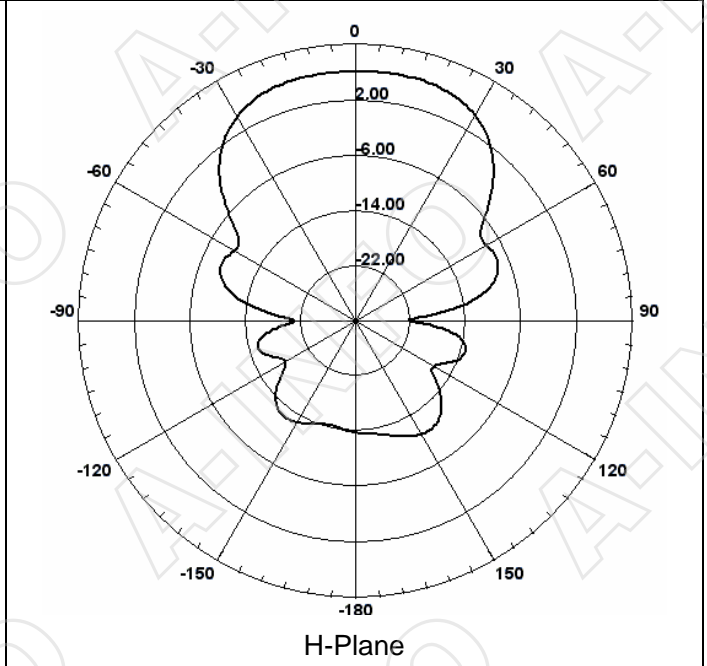
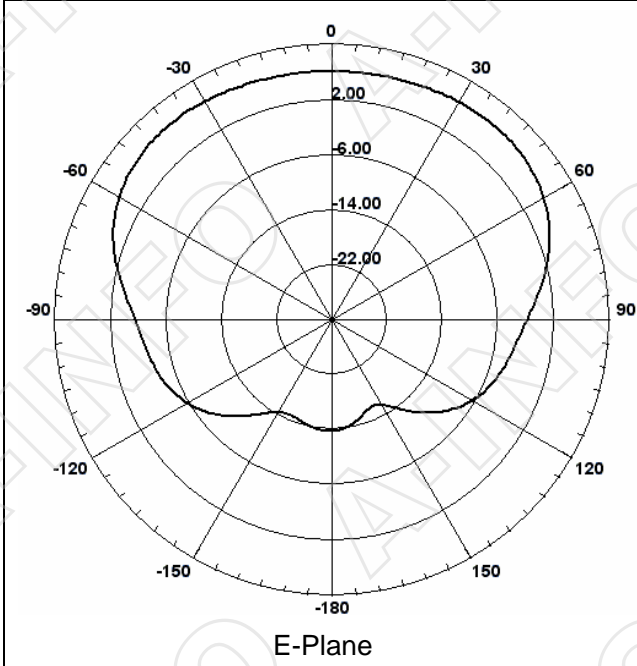
3. VSWR



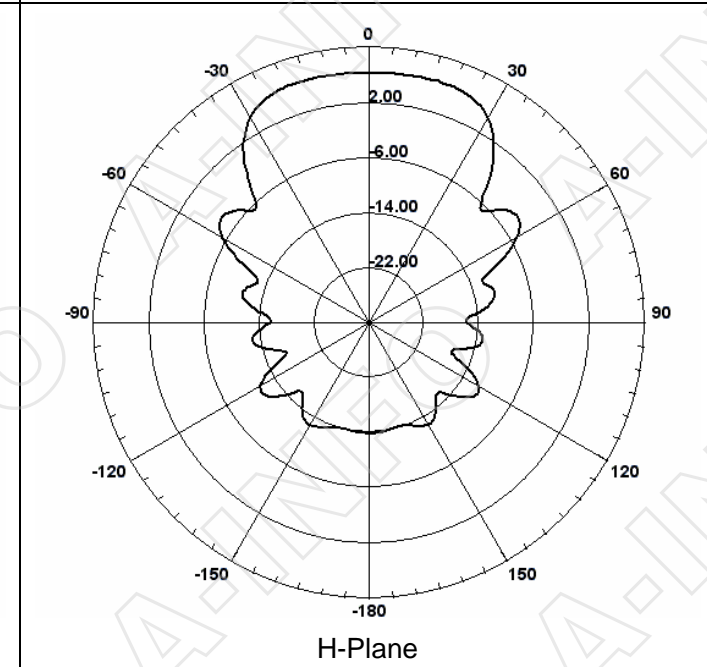
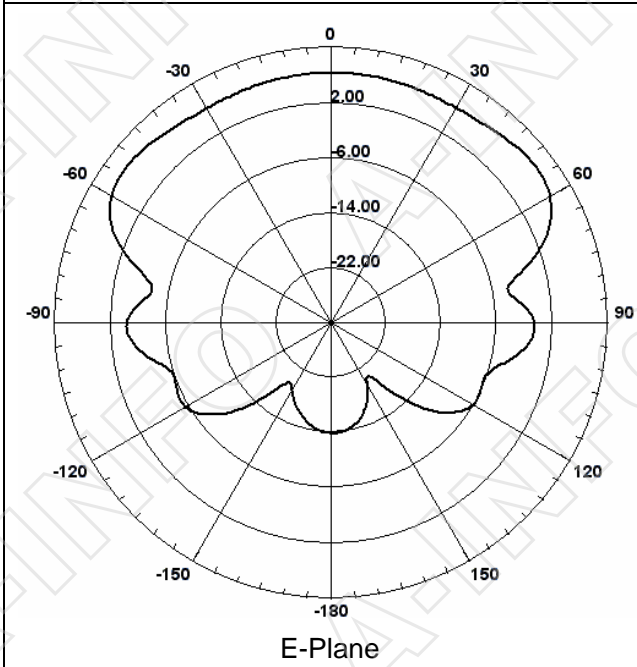
4. Pattern



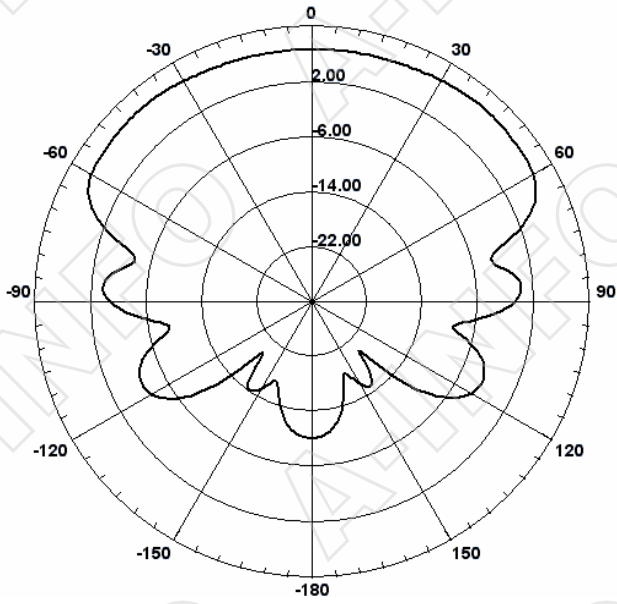
Frequency: 600MHz



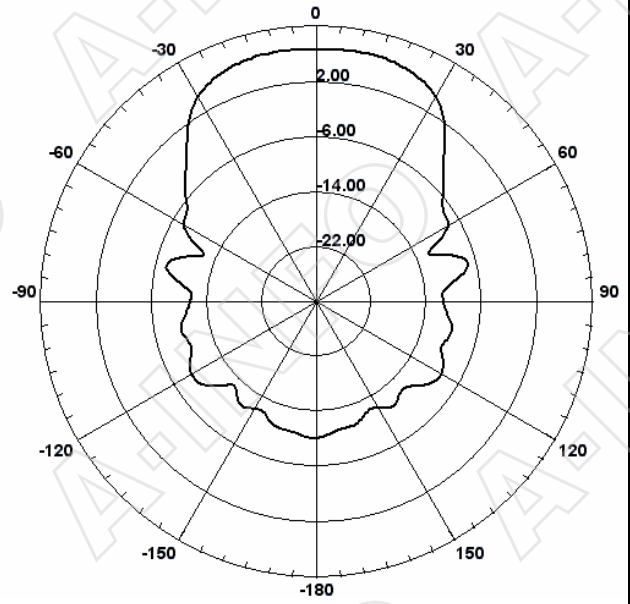
Frequency: 1000MHz



Frequency: 1500MHz

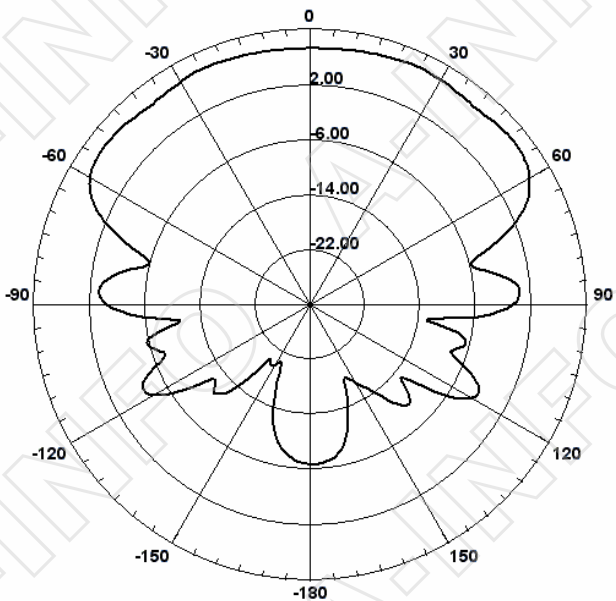


E-Plane

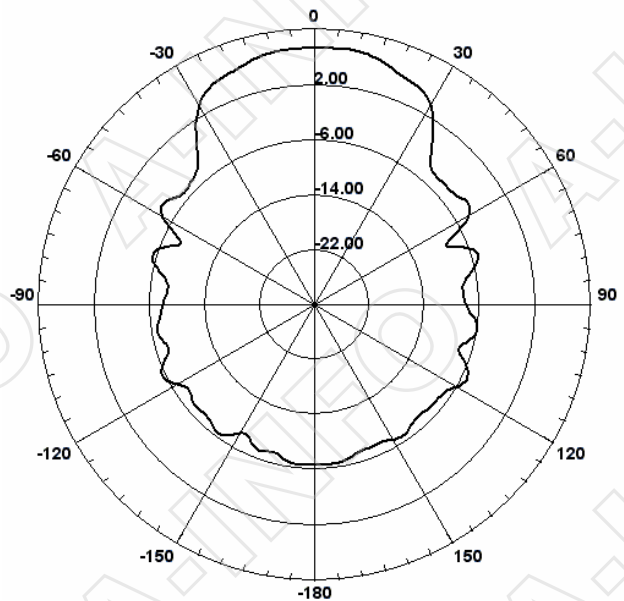


H-Plane

Frequency: 2000MHz



E-Plane



H-Plane