

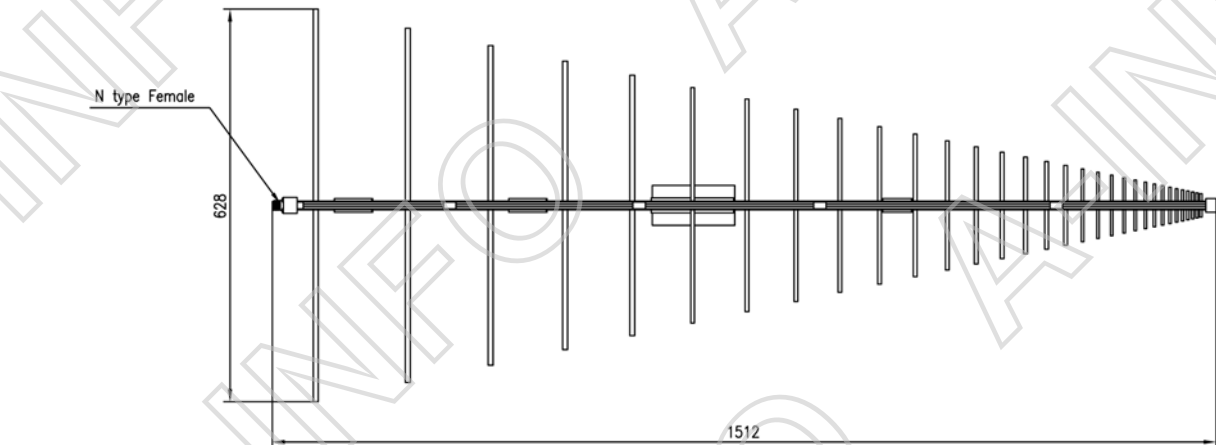
Technical Specification



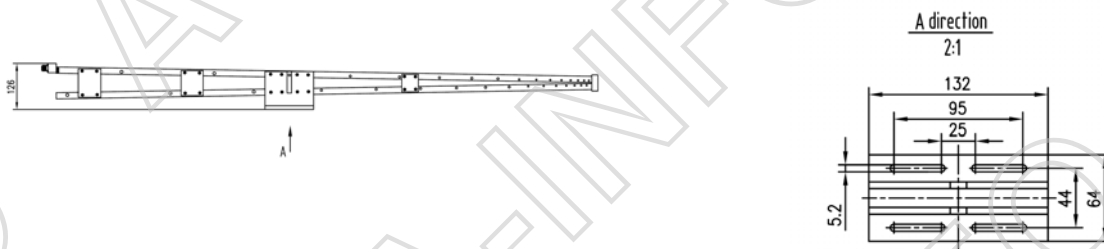
The picture is for reference only.

Frequency Range(GHz)	0.25 - 2.0
Gain(dB)	8.5 Typ.
Polarization	Linear
VSWR	2.0 Typ.
Connector	N-Female
Size(mm)	628 x 1512 x 126
Net Weight(Kg)	2.0 Around

Outline Drawing (Size: mm)

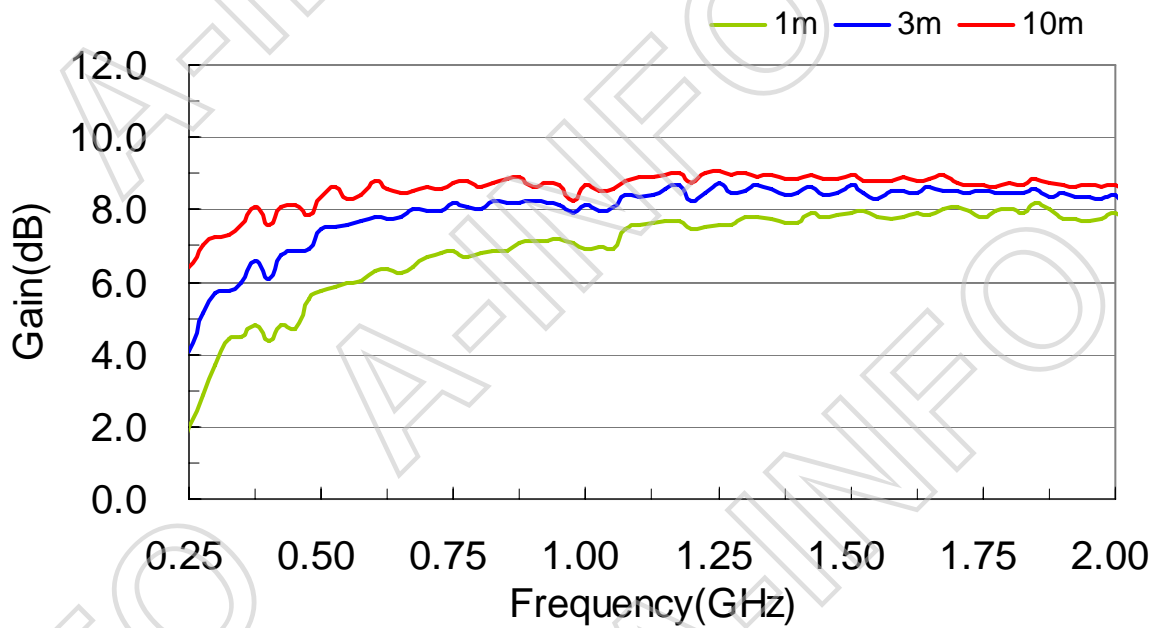


Mounting Bracket

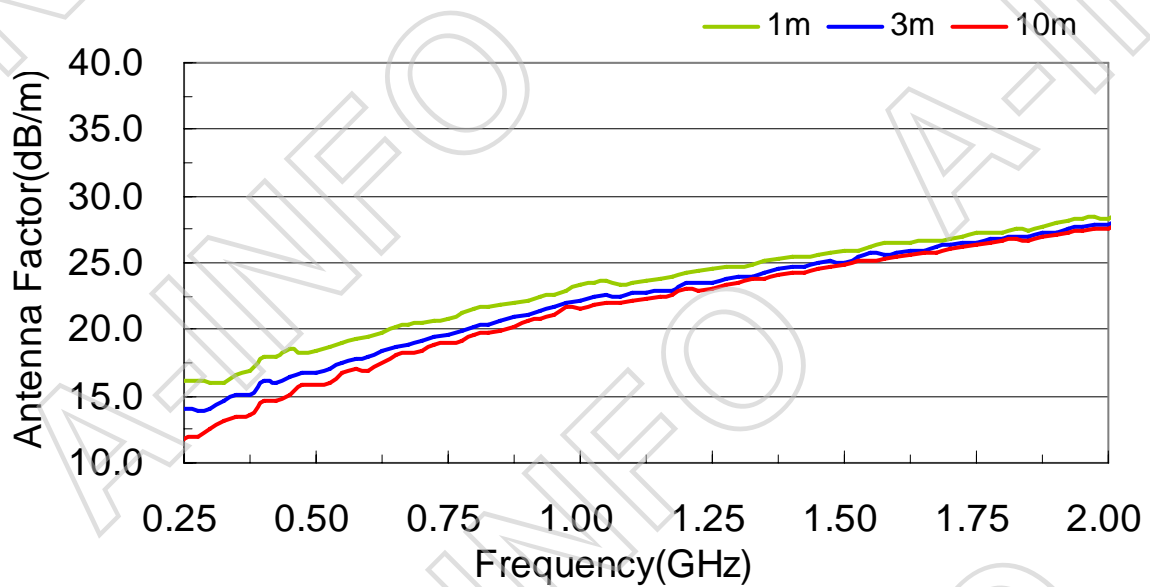


Test Results

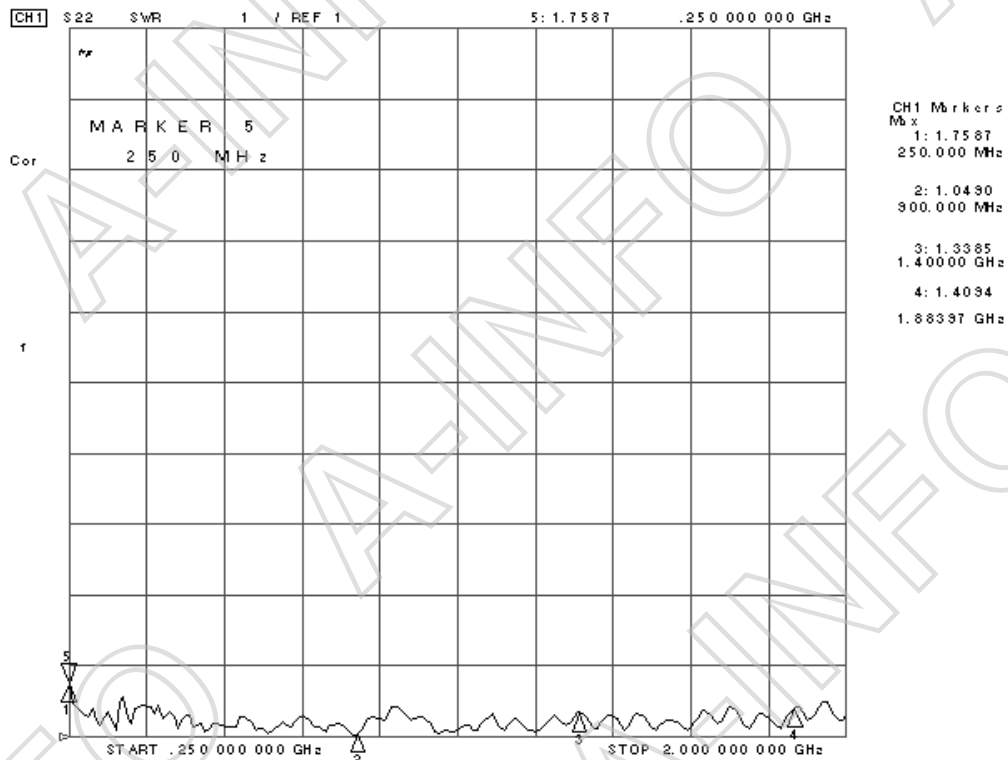
1. Gain



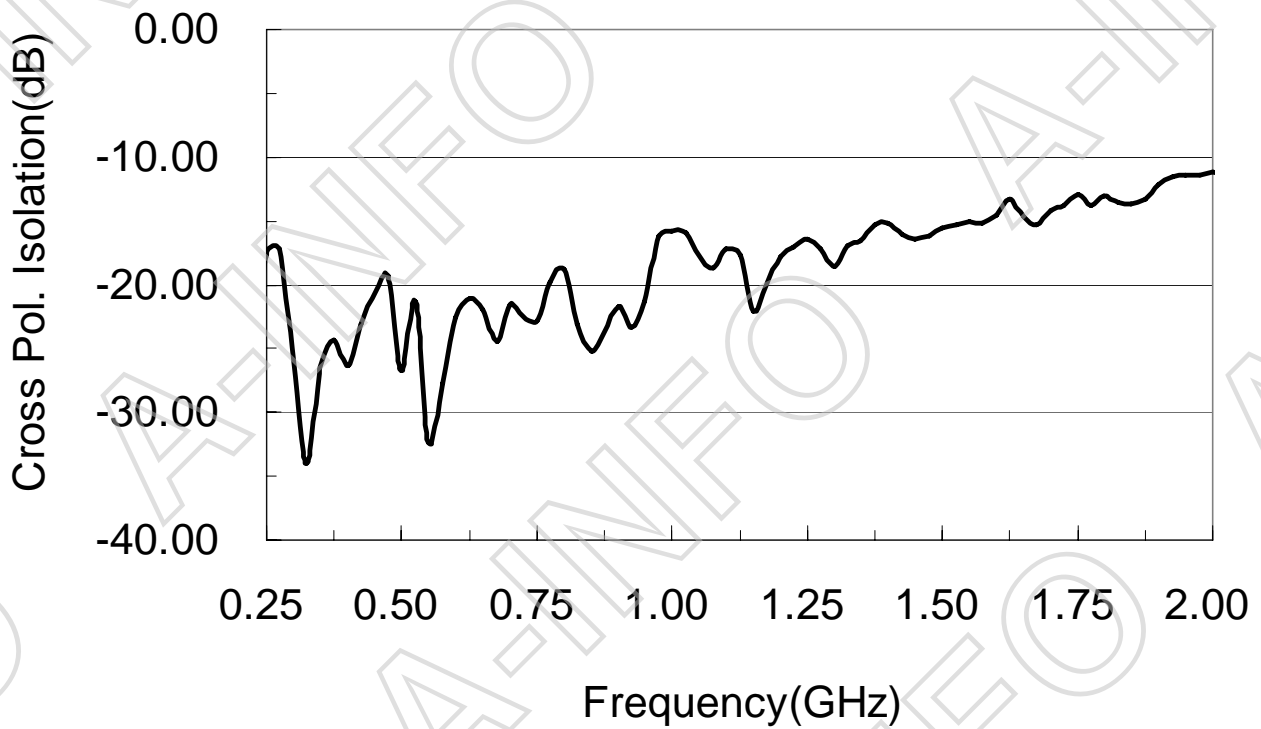
2. Antenna Factor



3. VSWR



4. Cross Polarization Isolation



5. Pattern

