

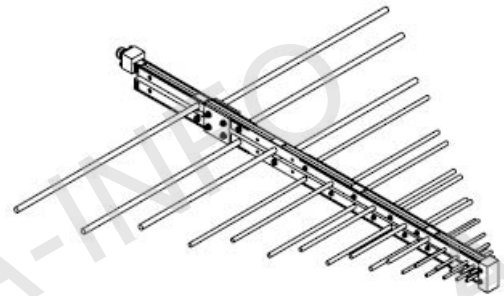
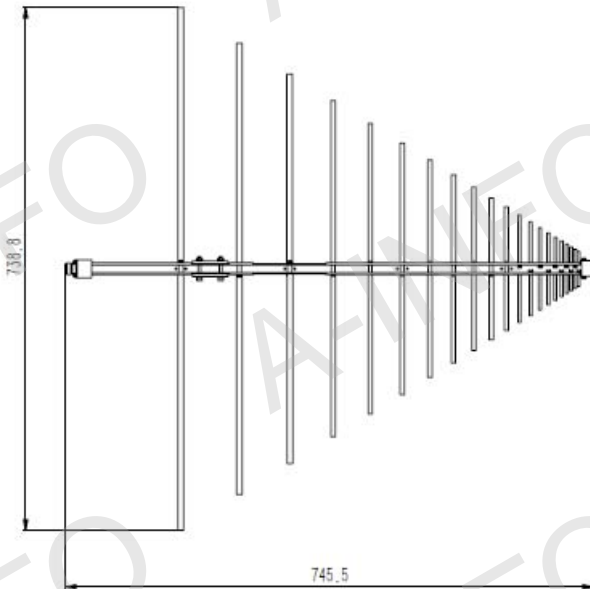
Technical Specification



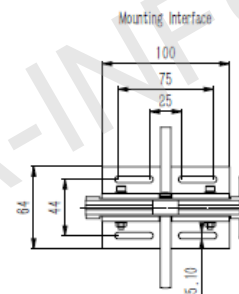
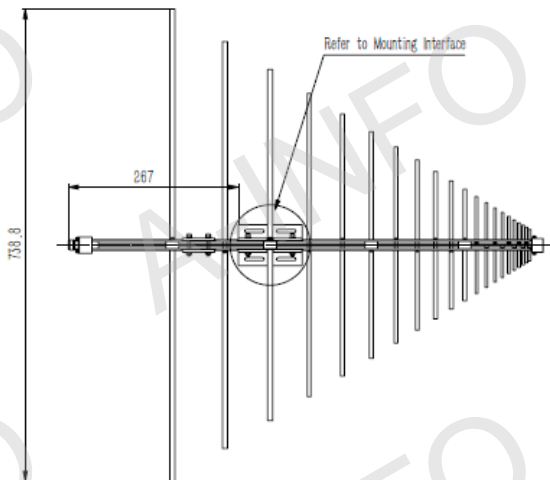
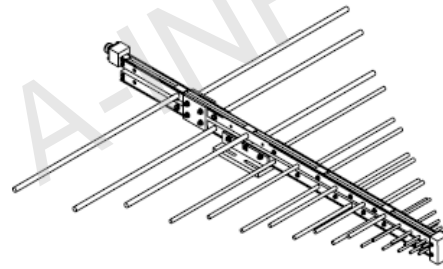
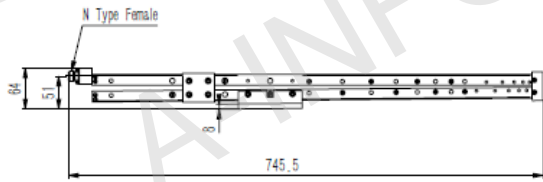
Frequency Range(GHz)	0.3 - 1.0
Gain(dB)	6 Typ.
Polarization	Linear
VSWR	1.5:1 Typ., 2.0:1 Max.
Connector	N-Female
Size(mm)	745.5 x 738.8
Net Weight(Kg)	0.9 Around

Outline Drawing (Size: mm)

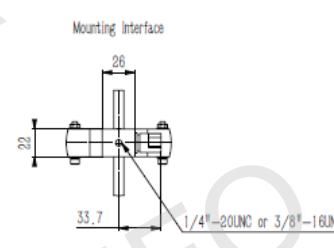
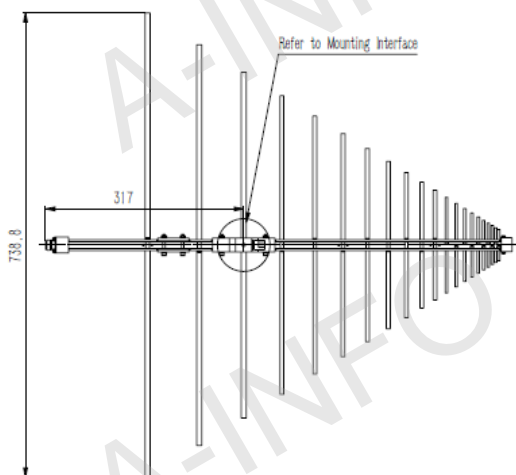
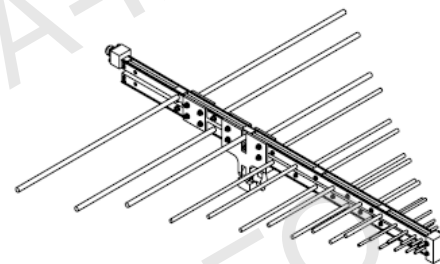
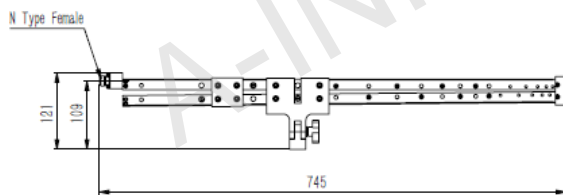
N-Female Type Output



N-Female Type Output with Mounting Bracket

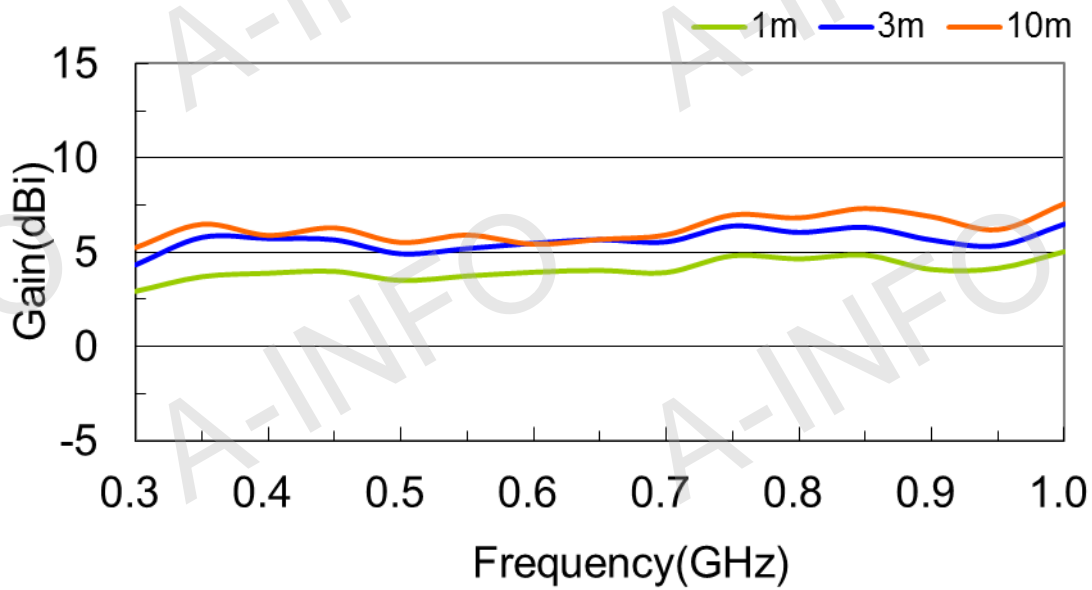


N-Female Type Output with Mounting Bracket for Tripod Application

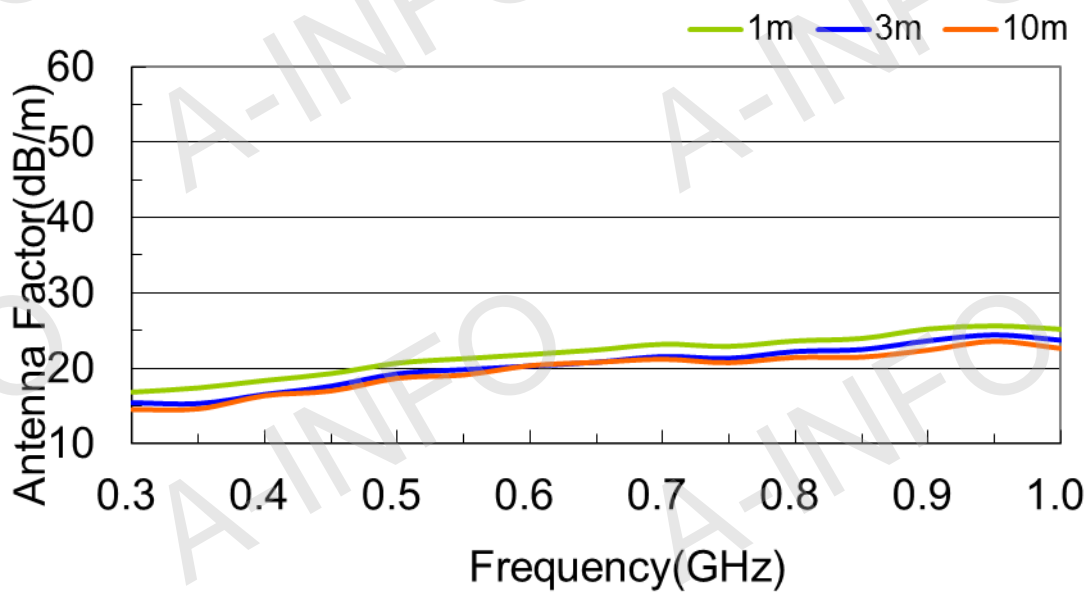


Test Results

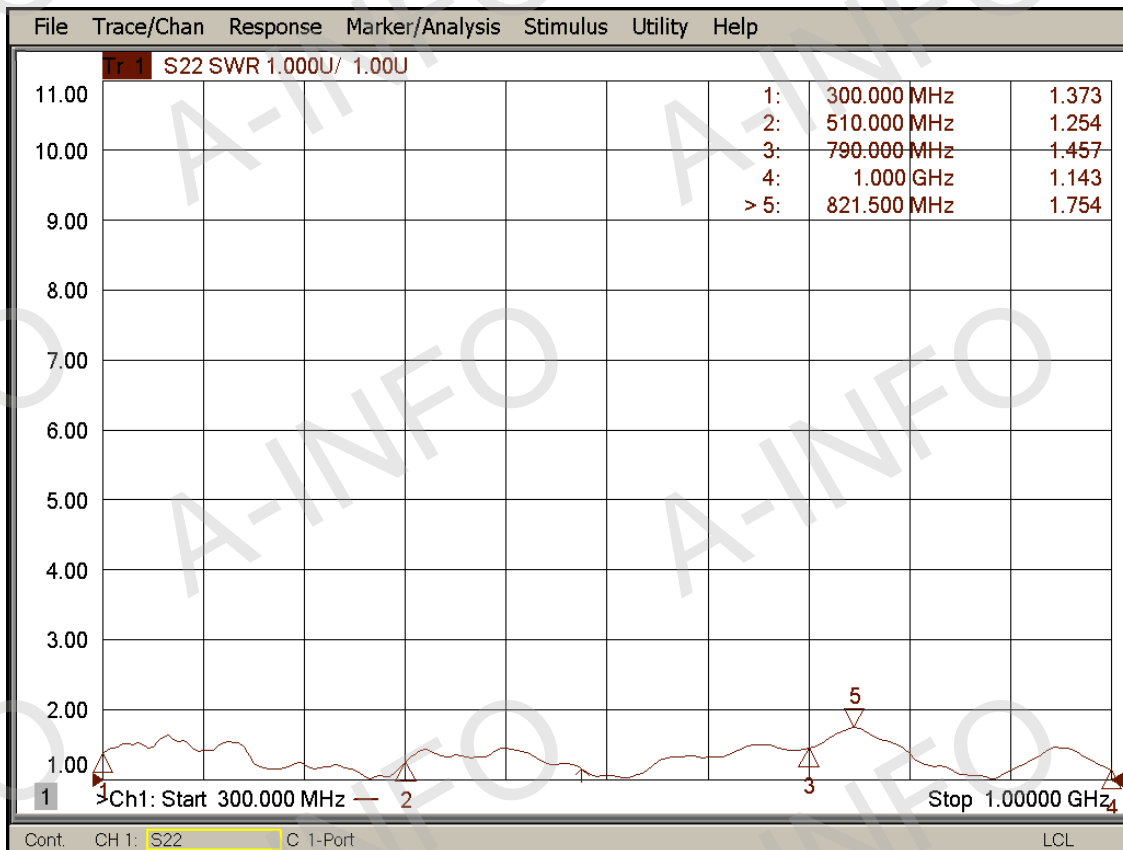
1. Gain



2. Antenna Factor



3. VSWR



4. Pattern

