

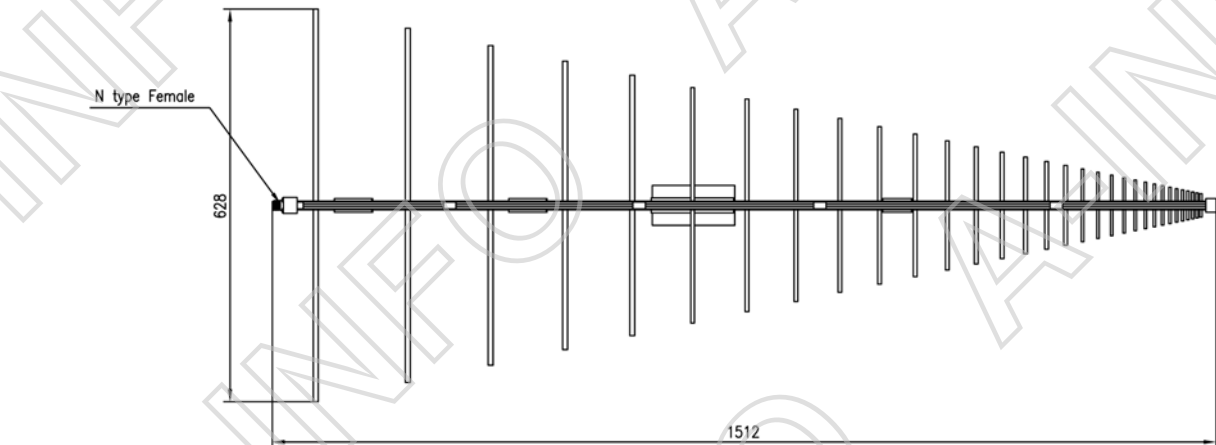
Technical Specification



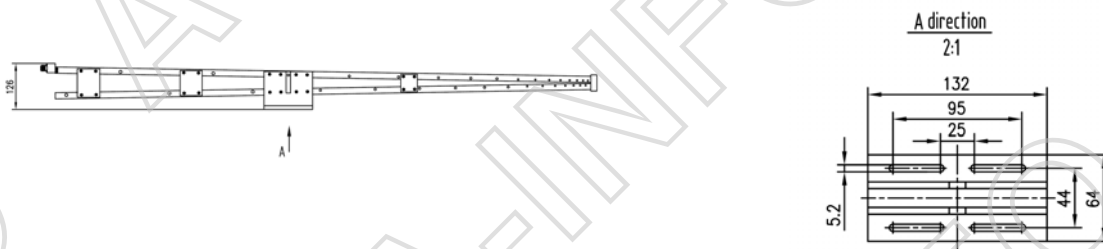
The picture is for reference only.

Frequency Range(GHz)	0.25 - 1.0
Gain(dB)	8.5 Typ.
Polarization	Linear
VSWR	2.0 Typ.
Connector	N-Female
Size(mm)	628 x 1512 x 126
Net Weight(Kg)	2.0 Around

Outline Drawing (Size: mm)

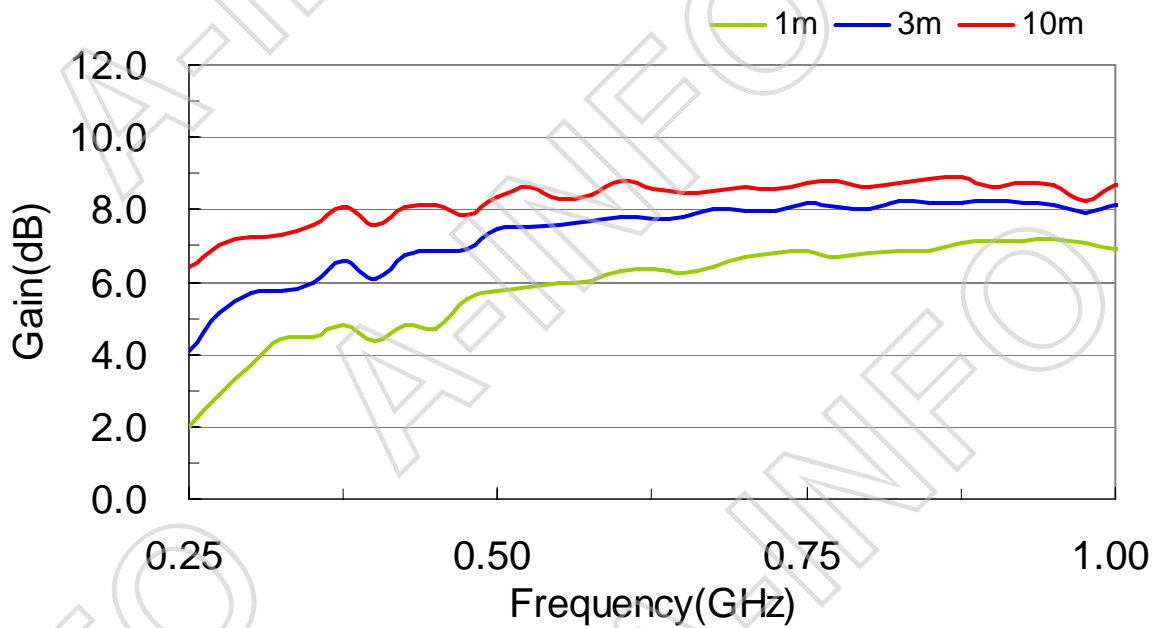


Mounting Bracket

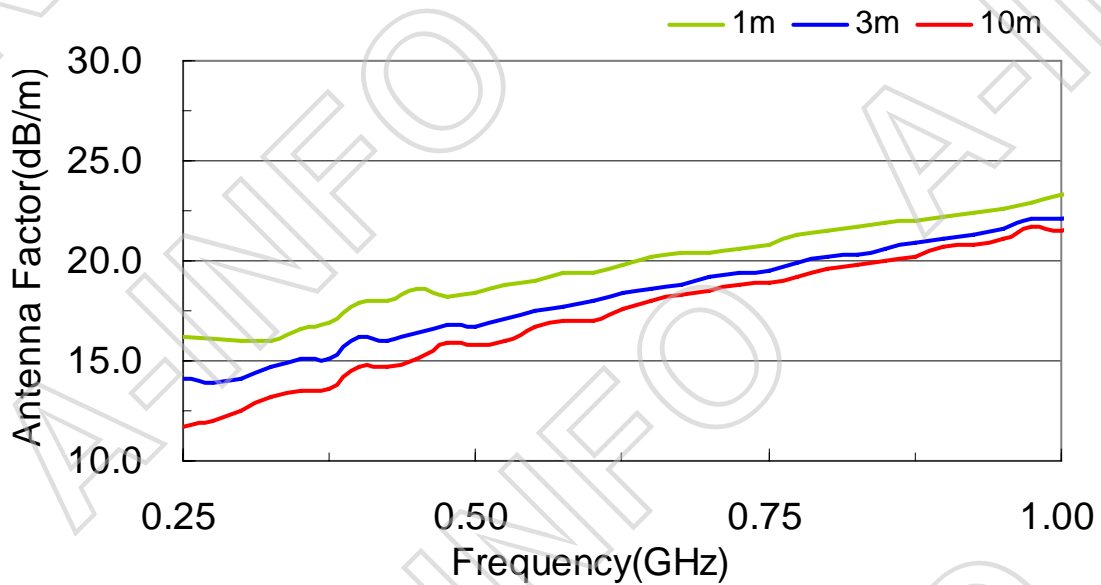


Test Results

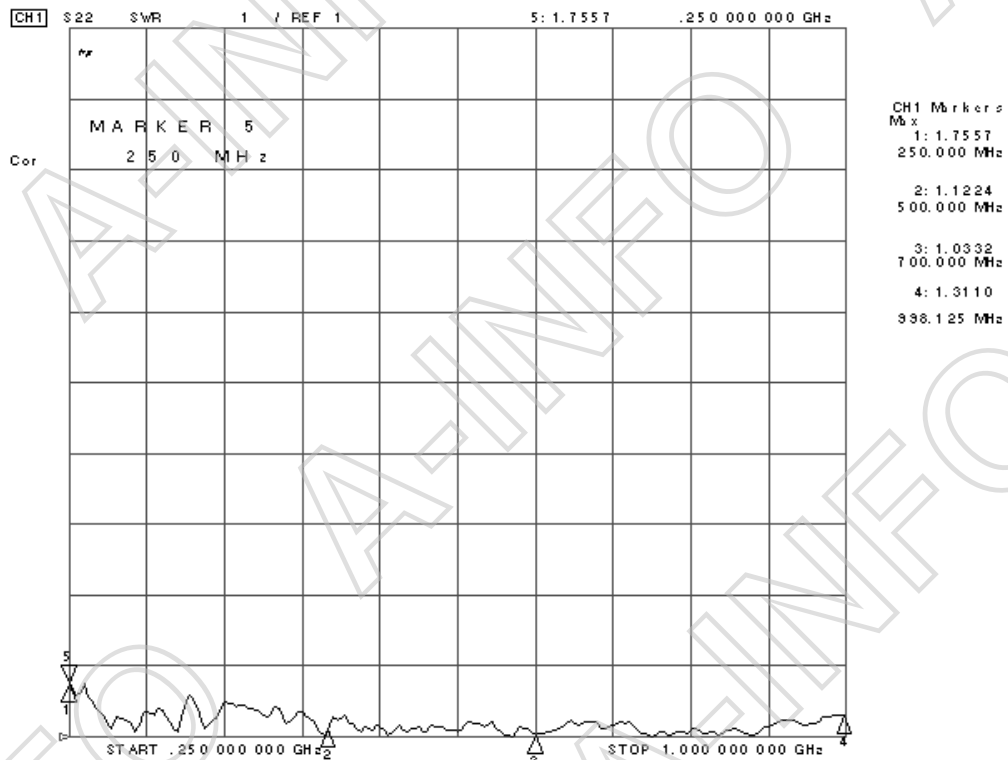
1. Gain



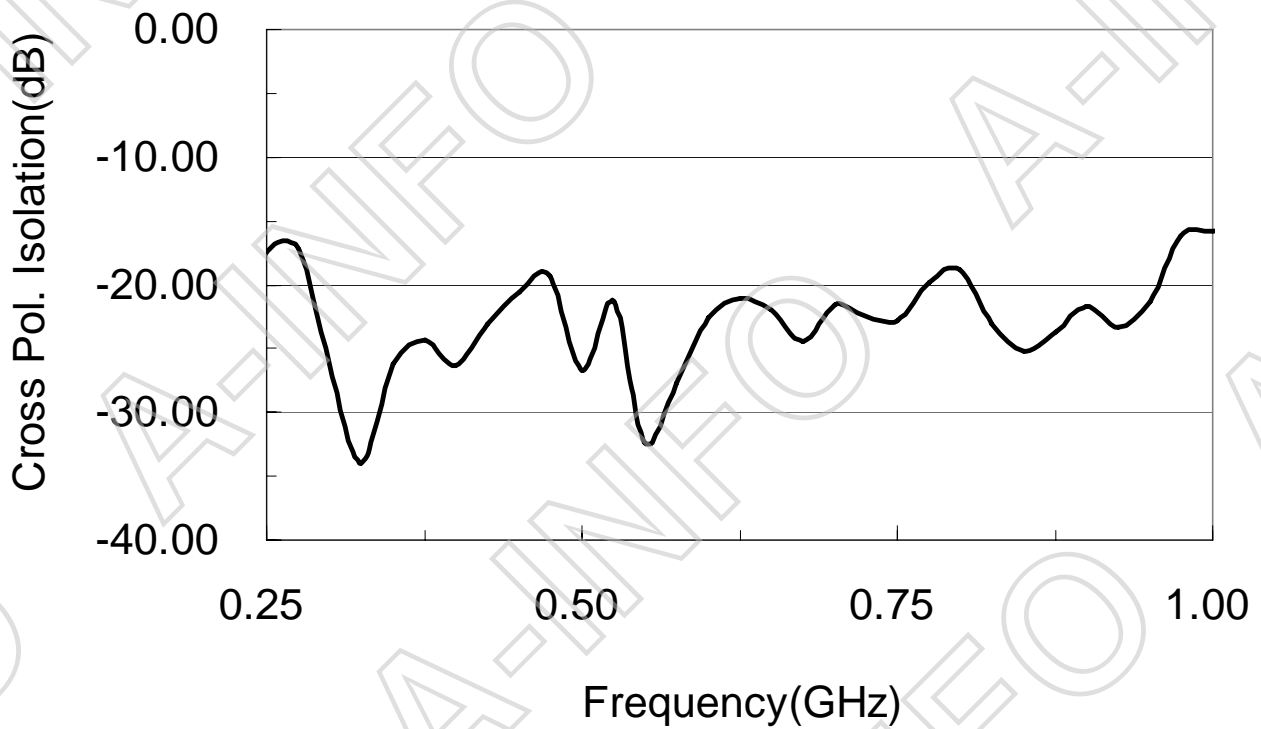
2. Antenna Factor



3. VSWR

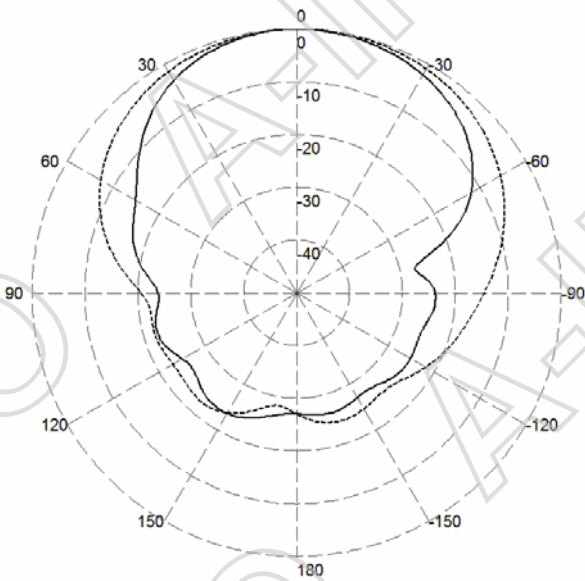


4. Cross Polarization Isolation



5. Pattern

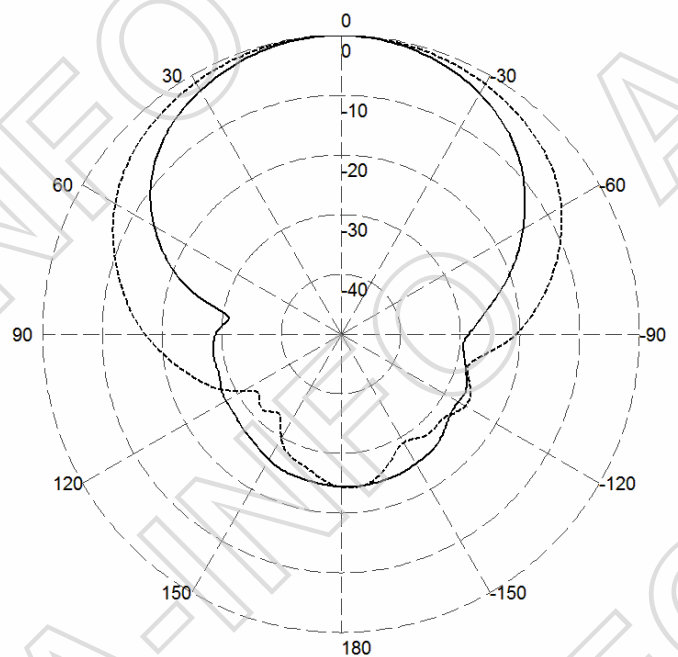
Frequency: 0.25GHz



H-Plane ——— E-Plane - - - - -

3dB Beamwidth (deg): 62 3dB Beamwidth (deg): 89

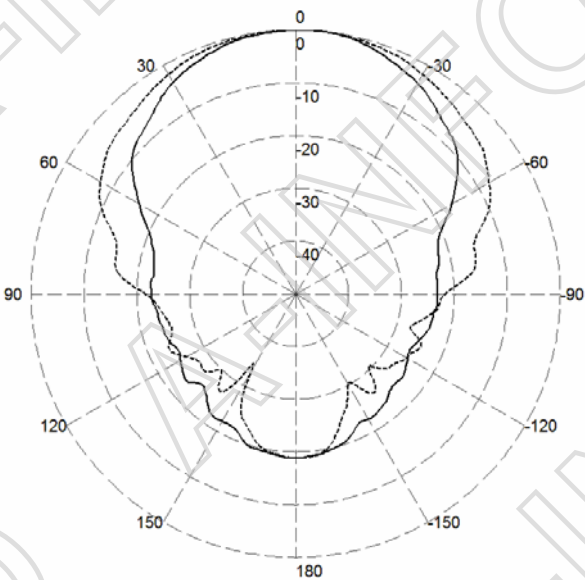
Frequency: 0.5GHz



H-Plane ——— E-Plane - - - - -

3dB Beamwidth (deg): 59 3dB Beamwidth (deg): 86

Frequency: 1.0GHz



H-Plane ——— E-Plane - - - - -

3dB Beamwidth (deg): 53 3dB Beamwidth (deg): 73