

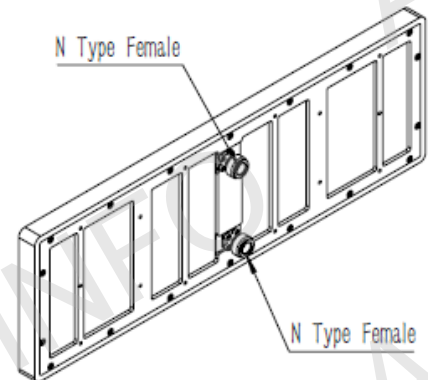
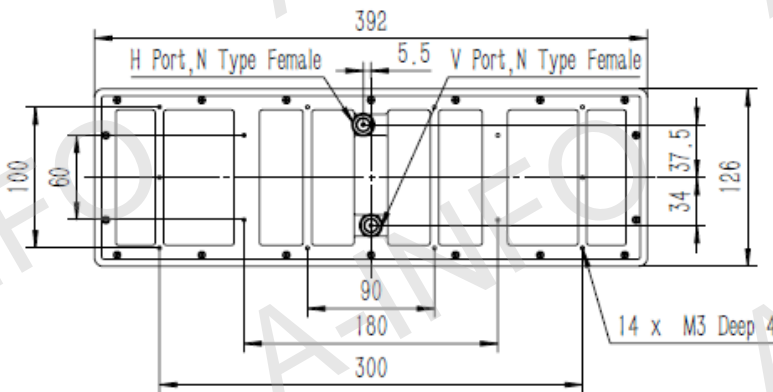
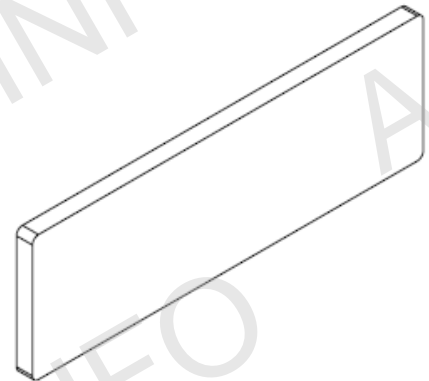
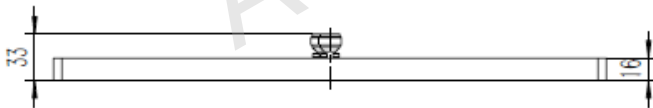
Technical Specification



Frequency Range(GHz)	9.35-9.85
Center Frequency(GHz)	9.60
Gain(dBi)	20.0 Typ.
Polarization	Dual Linear
3dB Beamwidth(deg)	Elevation: 40.0 Typ.
	Azimuth: 5.0 Typ.
Cross Pol. Isolation(dB)	20.0 Min.
Port to Port Isolation(dB)	45 Typ., 30 Min.
VSWR	2.0:1 Max.
Power(W)	50 Max.
Connector	N-Female/SMA-Female
Size(mm)	392 x 126 x 16 (Connector is not included.)
Net Weight(Kg)	0.75 Around

Outline Drawing (Size: mm)

N Type Female Output



AINFO Inc.

Page 1 of 8

China(Beijing):
China(Chengdu):
USA :

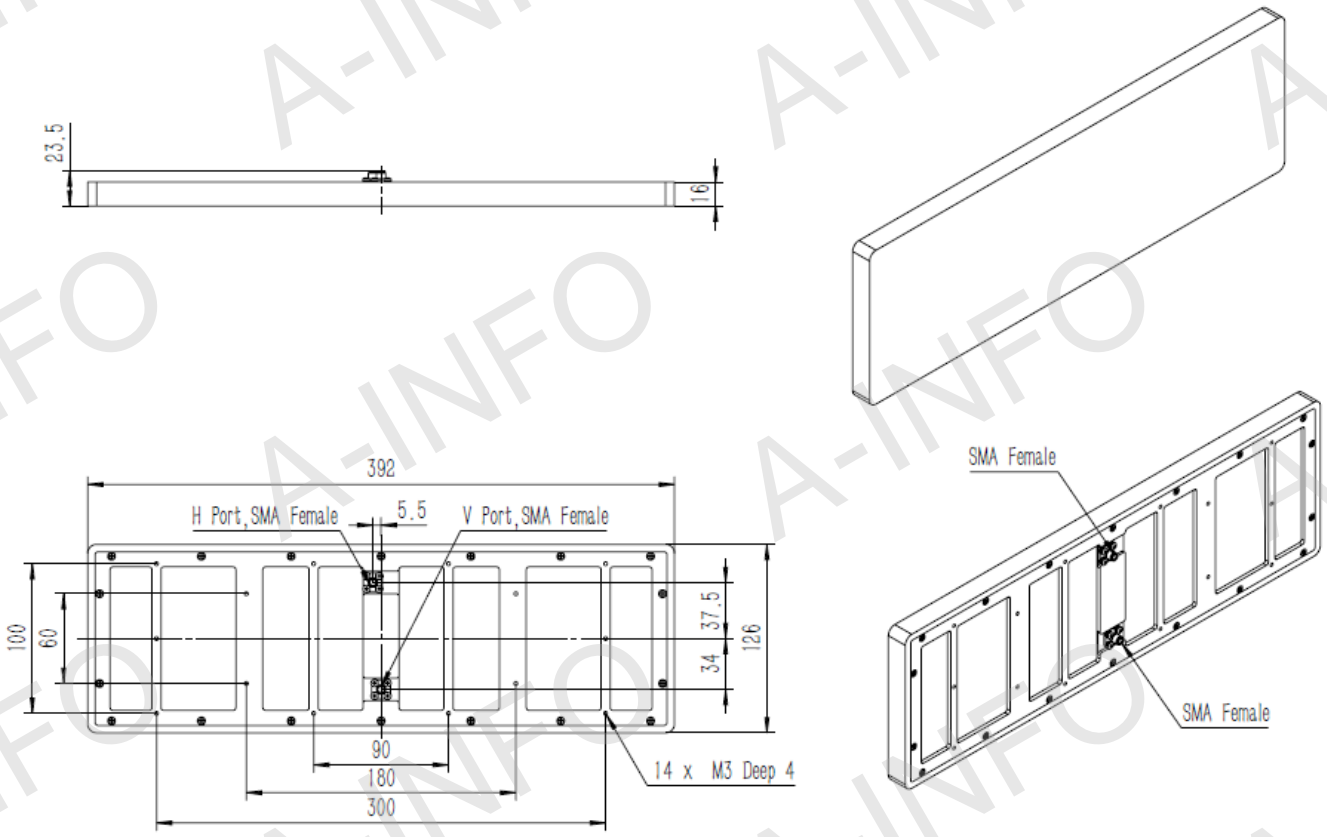
Tel: (+86) 10-6266-7326,
Tel: (+86) 28-8519-2786,
Tel: (+1) 949-639-9688,

(+86) 10-6266-7327
(+86) 28-8519-3044
(+1) 949-639-9608

Fax: (+86) 10-6266-7379
Fax: (+86) 28-8519-3068
Fax: (+1) 949-639-9670

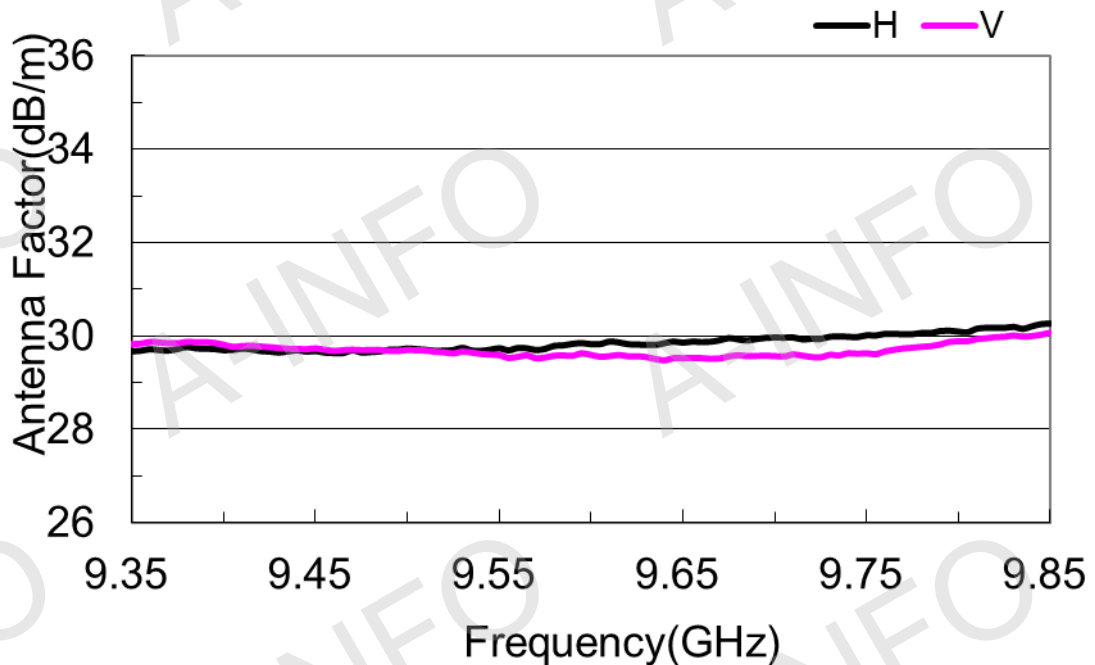
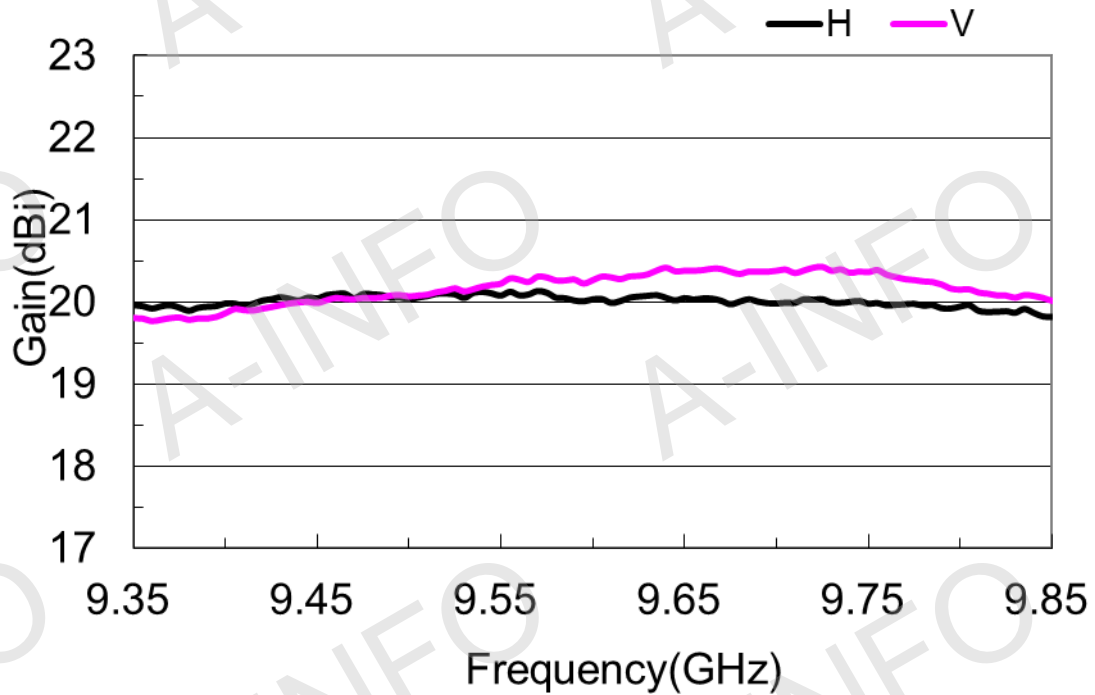
Website: www.ainfoinc.com
Email: sales@ainfoinc.com

SMA Female Output

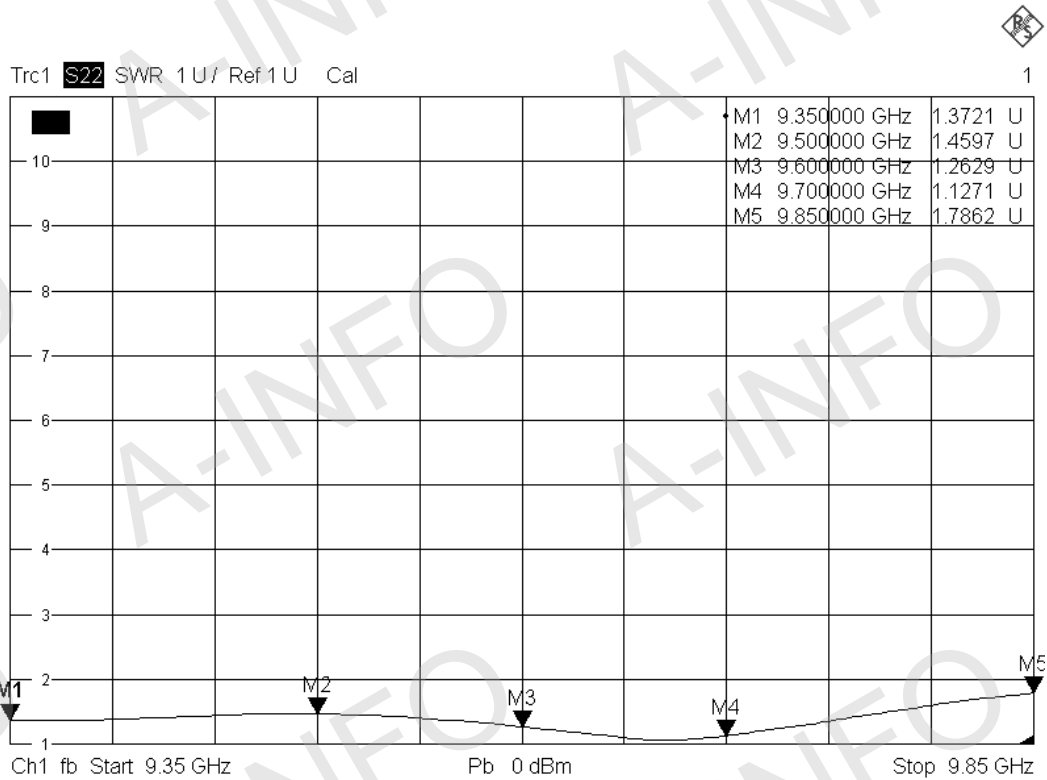


Test Results

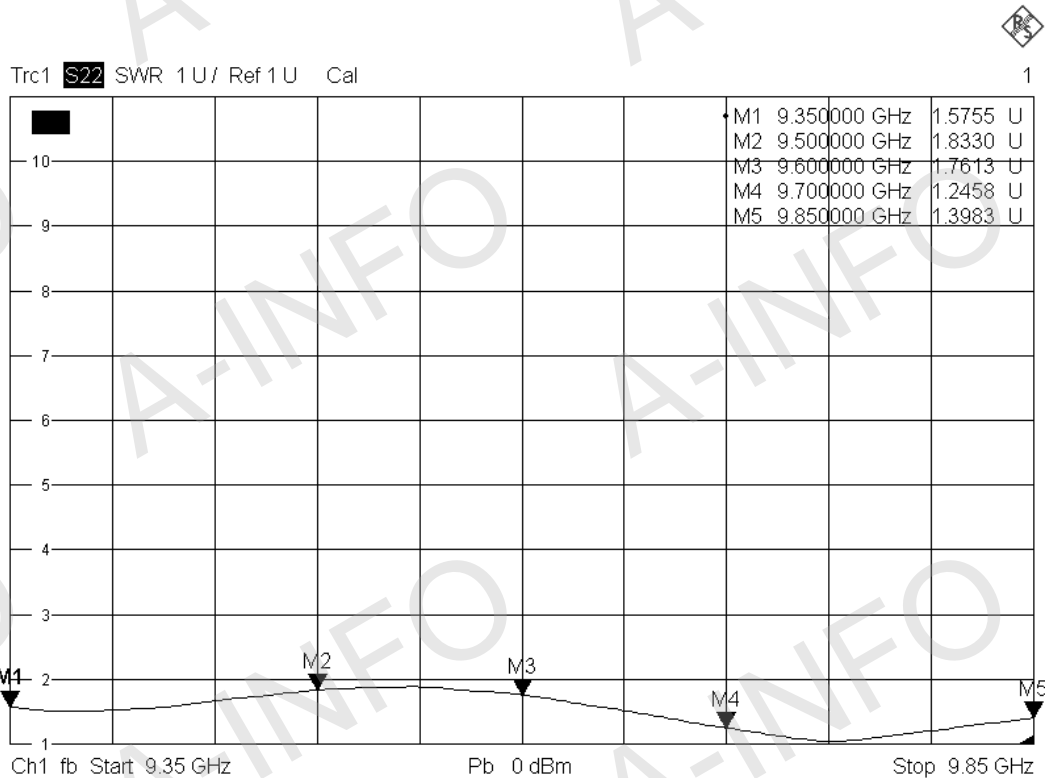
1. Gain & Antenna Factor



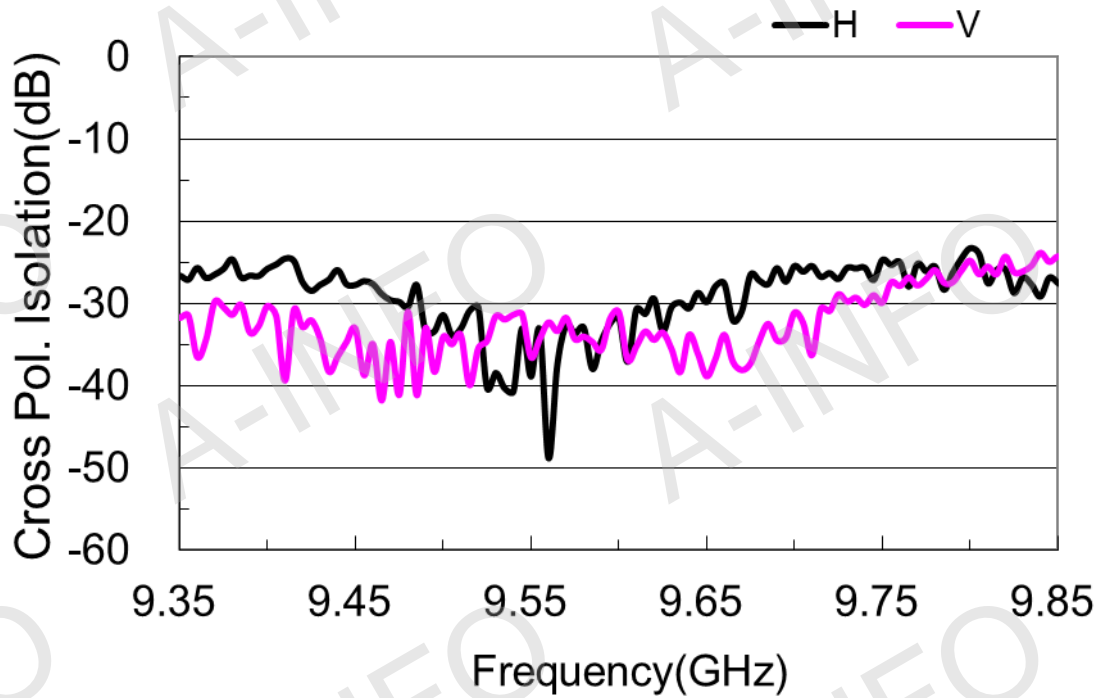
2. VSWR V-Port



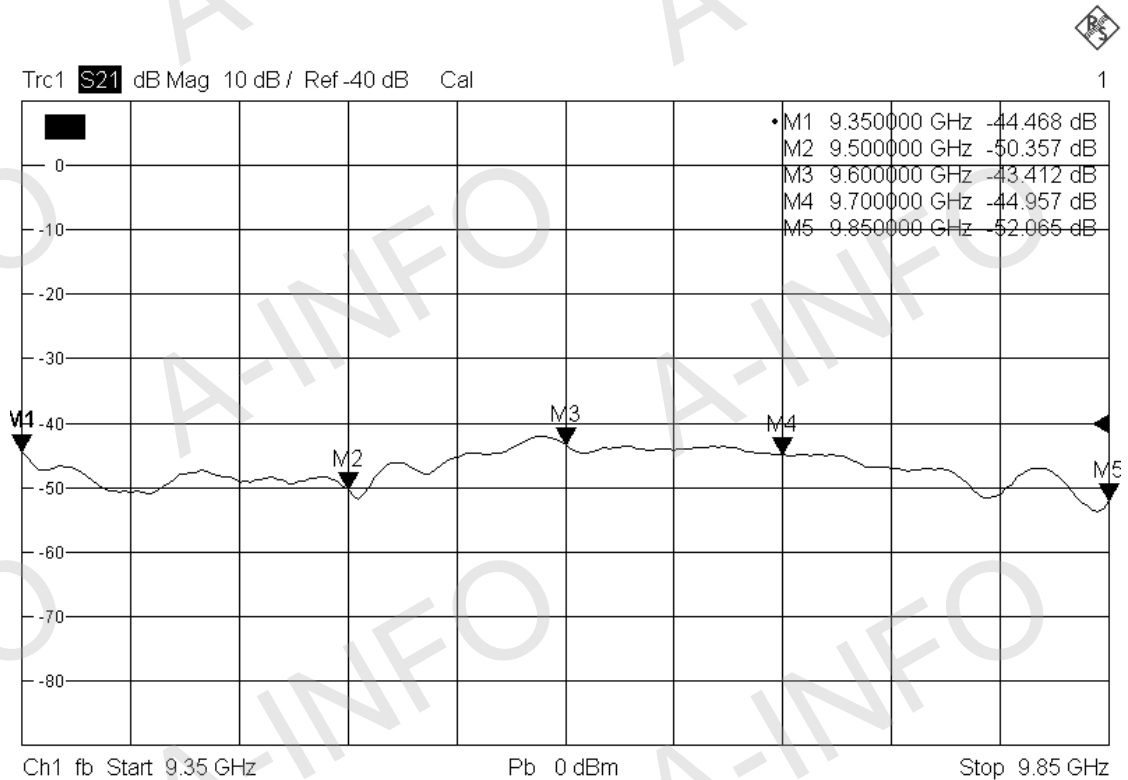
H-Port



3. Cross Polarization Isolation

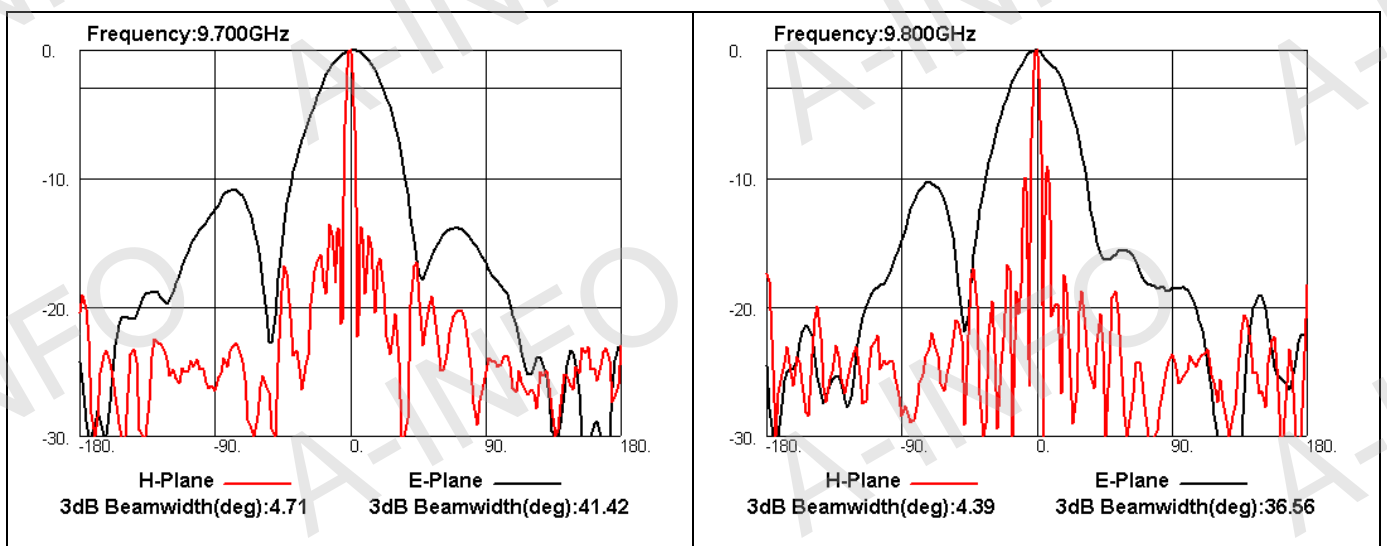
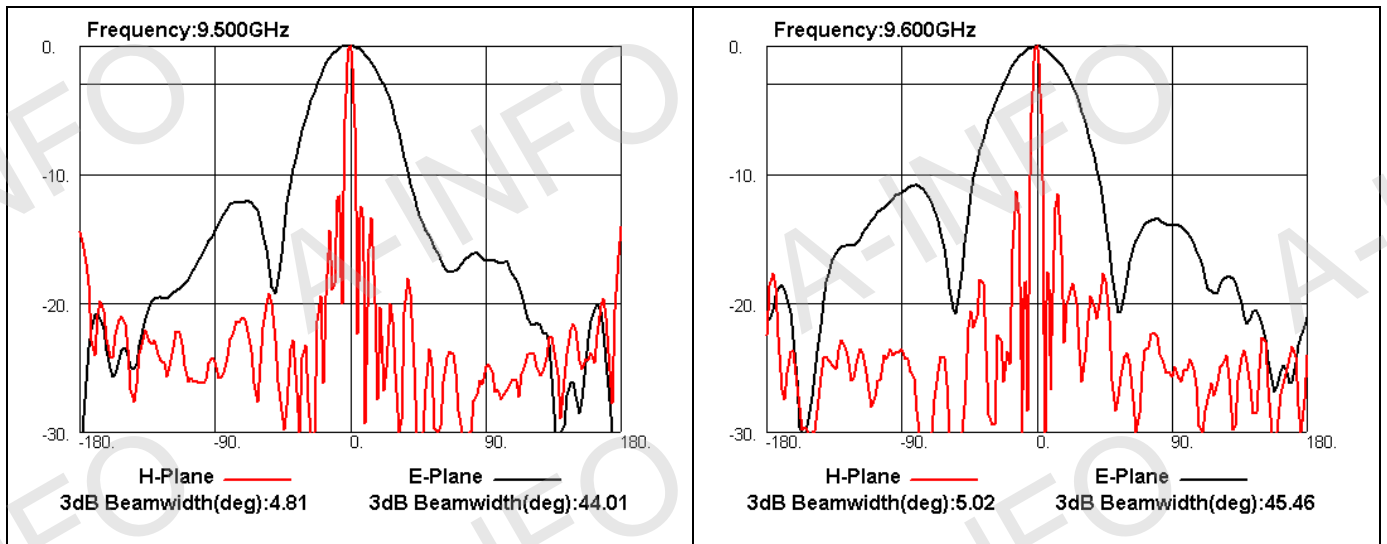
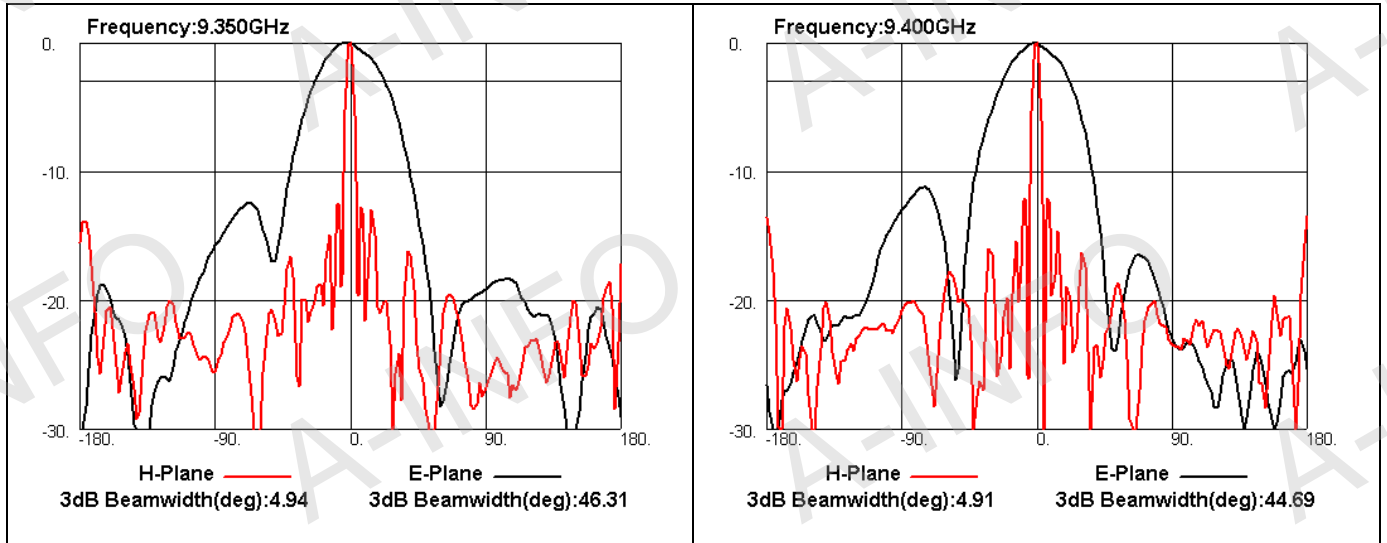


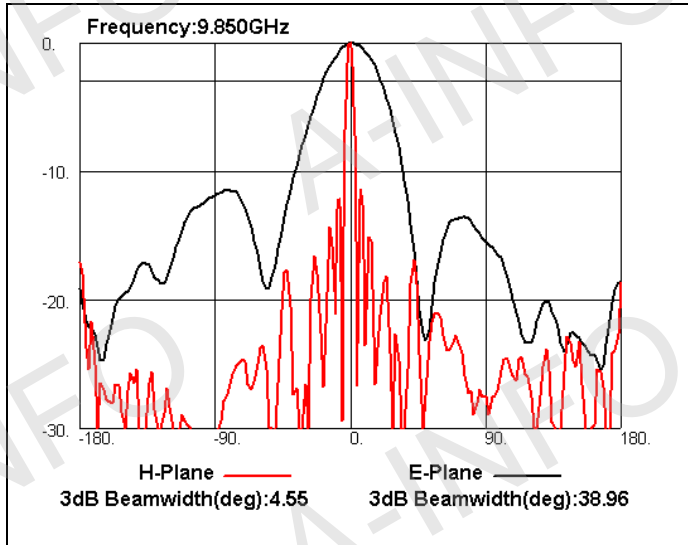
4. Port to Port Isolation



5. Pattern

V-Port





H-Port

