

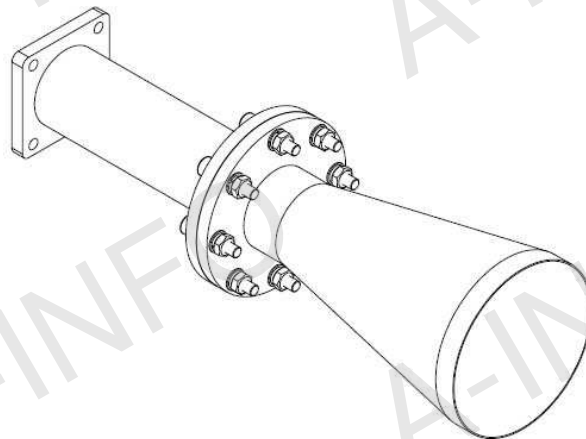
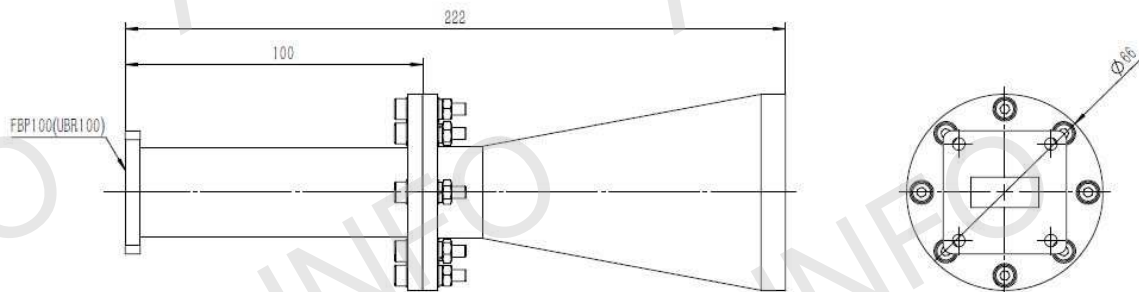
Technical Specification



Frequency Range(GHz)	8.2-12.4	
Waveguide	WR90	
Gain(dB)	15 Typ.	
3dB Beamwidth(deg)	E Plane:	30 Typ.
	H Plane:	25 Typ.
Polarization	Linear	
Cross Pol. Isolation(dB)	-40 Typ.	
VSWR	A Type:	1.5 Max.
	C Type:	1.5 Max.
Material	Al	
Output	A Type:	FBP100(UBR100)
	C Type:	N-Female or SMA-Female
Size(mm)	A Type:	Φ66 x 222
	C Type:	Φ66 x 260
Net Weight(Kg)	A Type:	0.55 Around
	C Type:	0.60 Around

Outline Drawing (Size: mm)

A Type (Waveguide Output)



AINFO Inc.

Page 1 of 6

China(Beijing):
China(Chengdu):
USA :

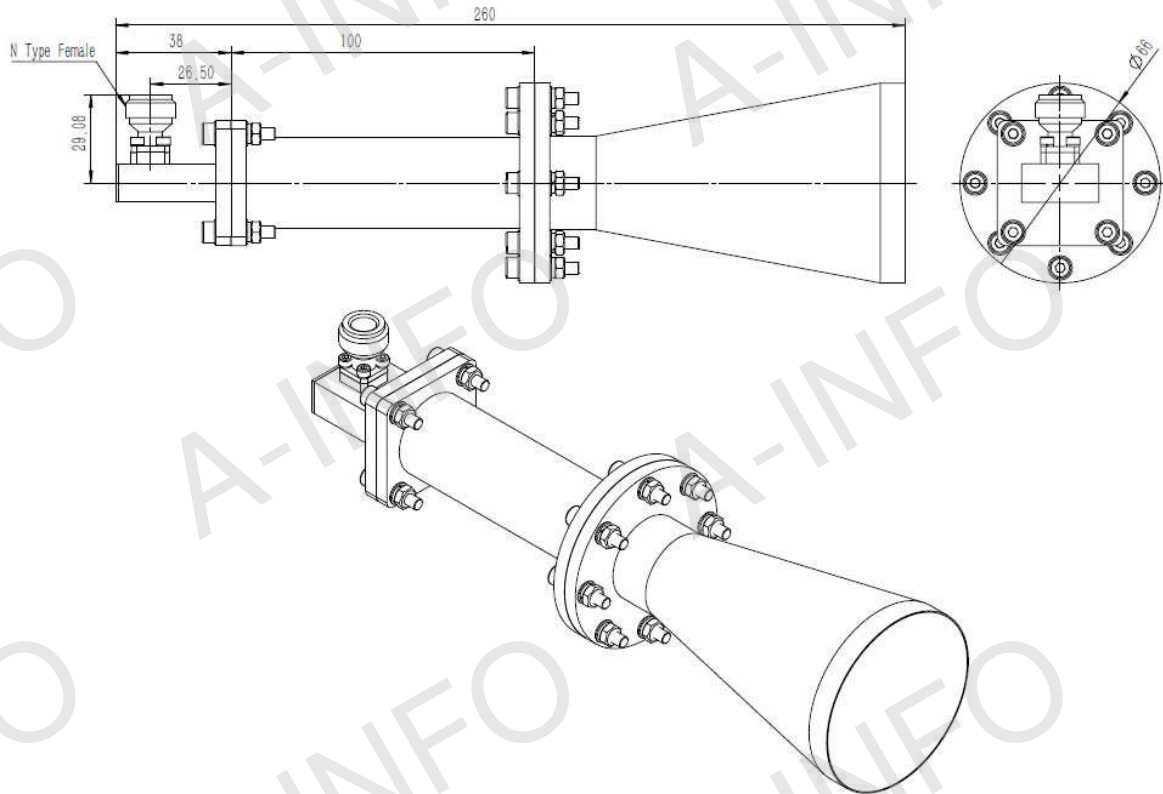
Tel: (+86) 10-6266-7326,
Tel: (+86) 28-8519-2786,
Tel: (+1) 949-639-9688,

(+86) 10-6266-7327
(+86) 28-8519-3044
(+1) 949-639-9608

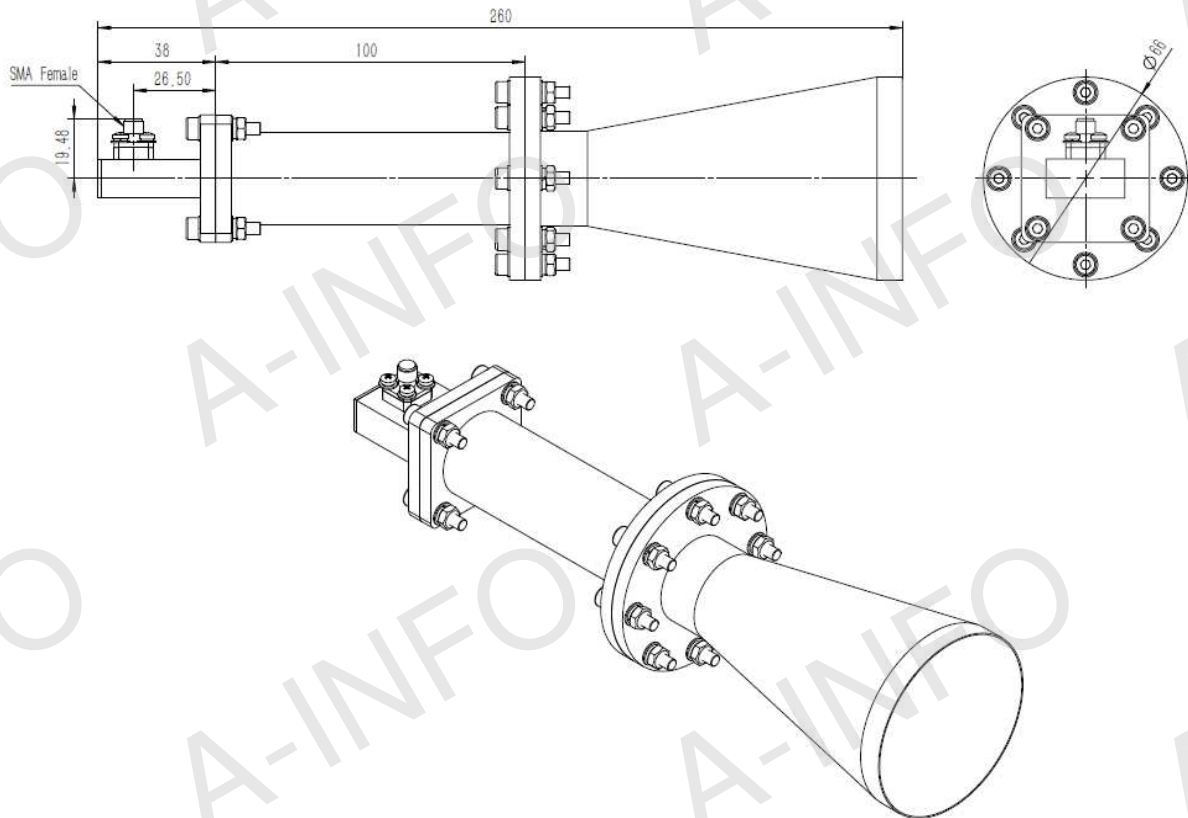
Fax: (+86) 10-6266-7379
Fax: (+86) 28-8519-3068
Fax: (+1) 949-639-9670

Website: www.ainfoinc.com
Email: sales@ainfoinc.com

C Type (With N Type Female Output)

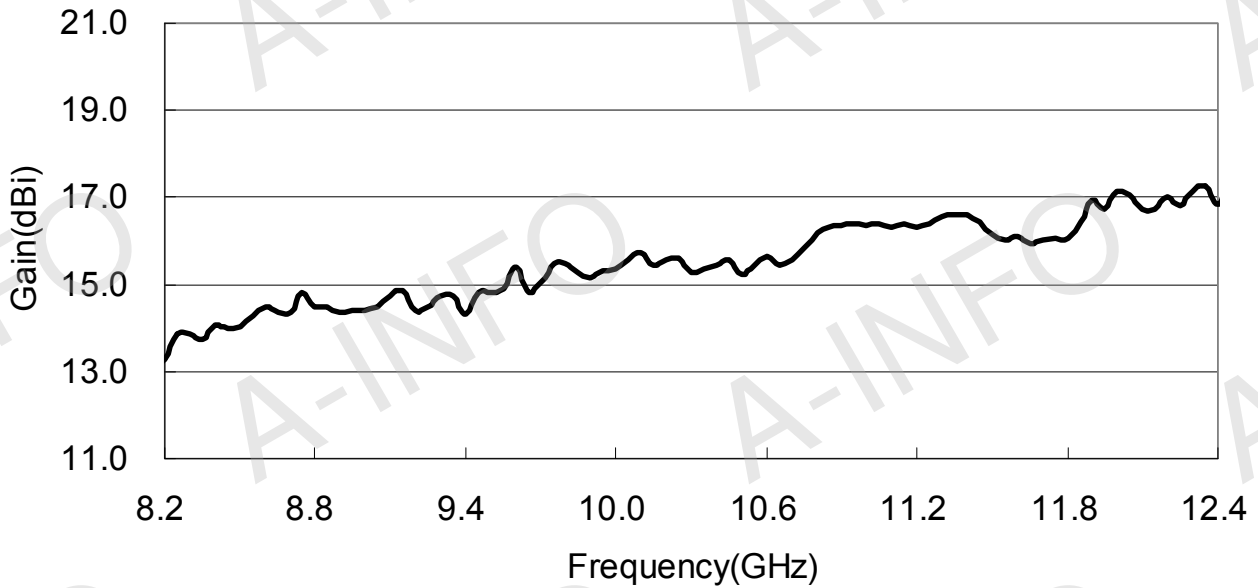


C Type (With SMA Female Output)

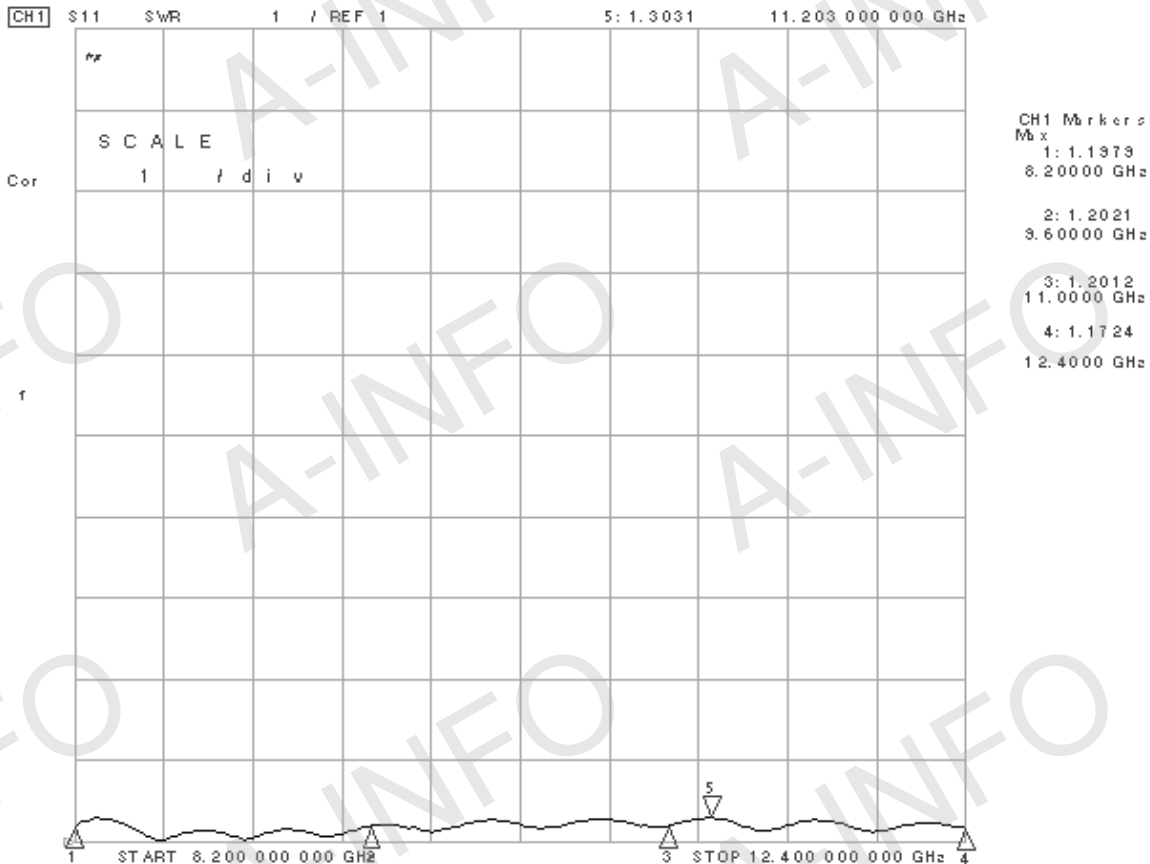


Test Results

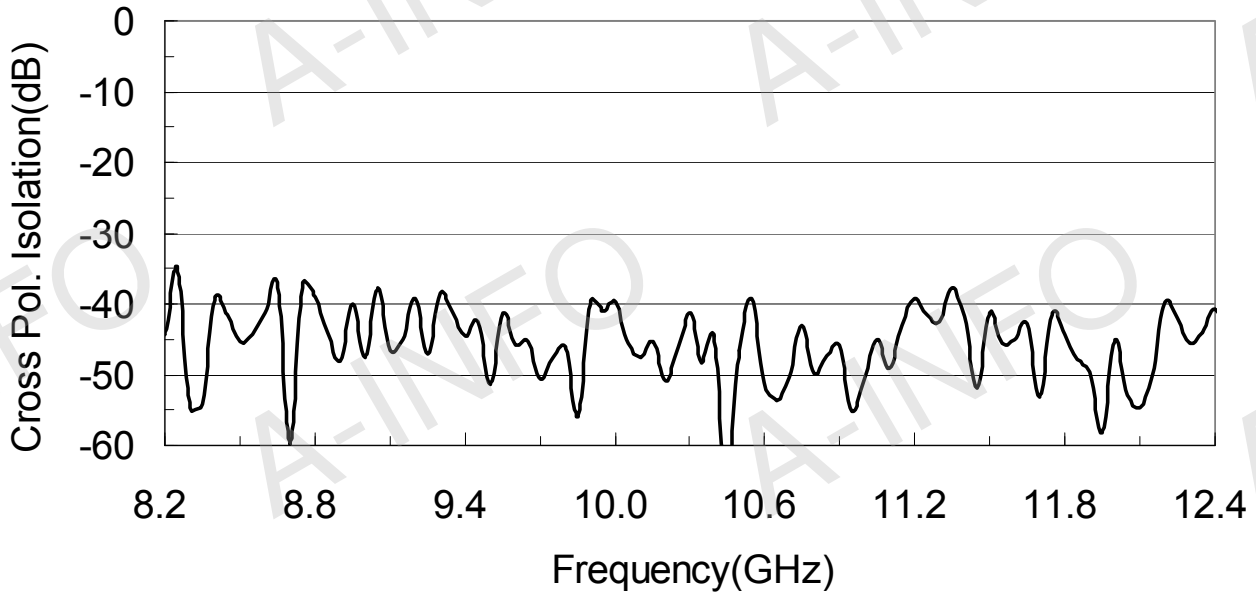
1. Gain



2. VSWR



3. Cross Polarization Isolation



4. Pattern

