

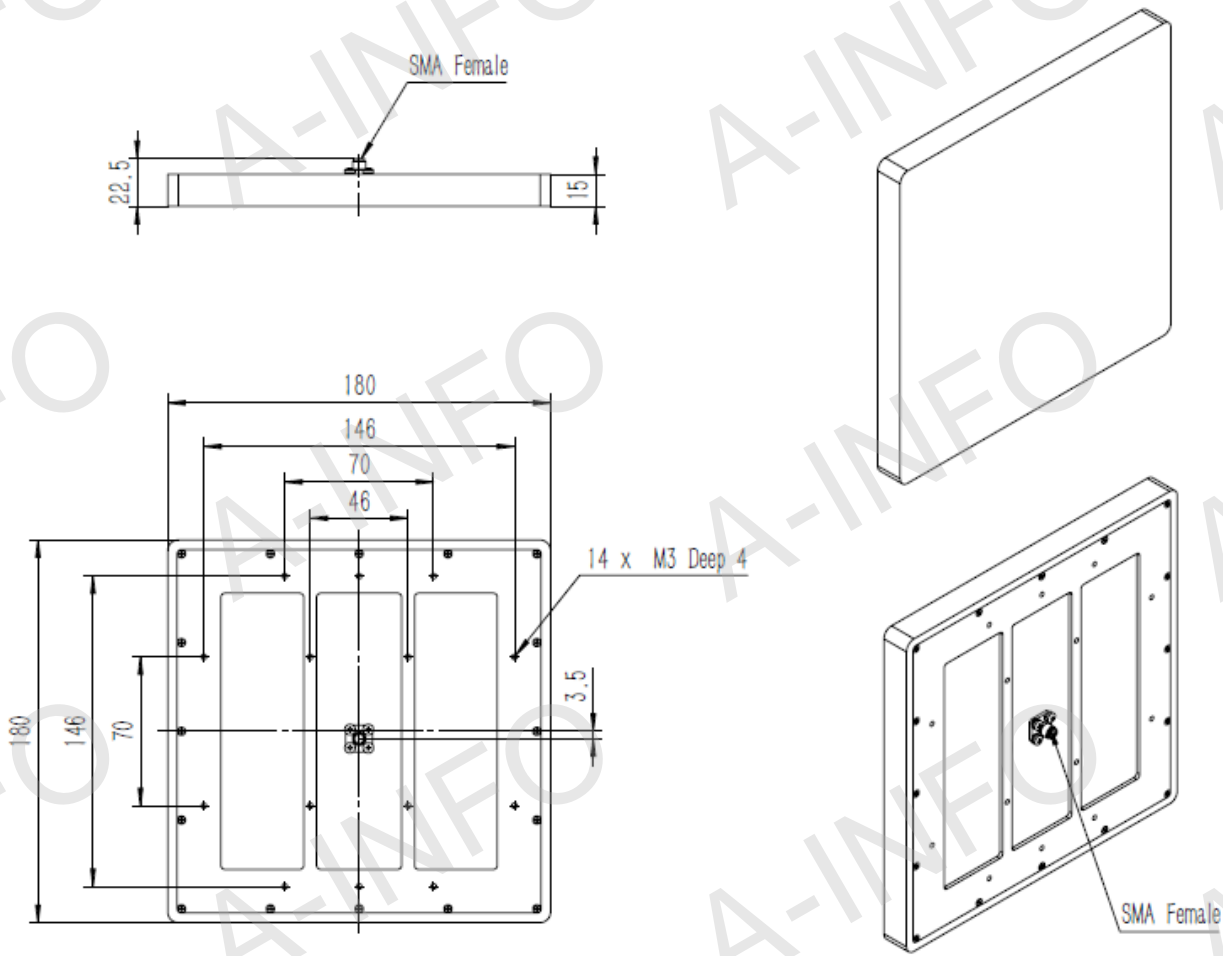
Technical Specification



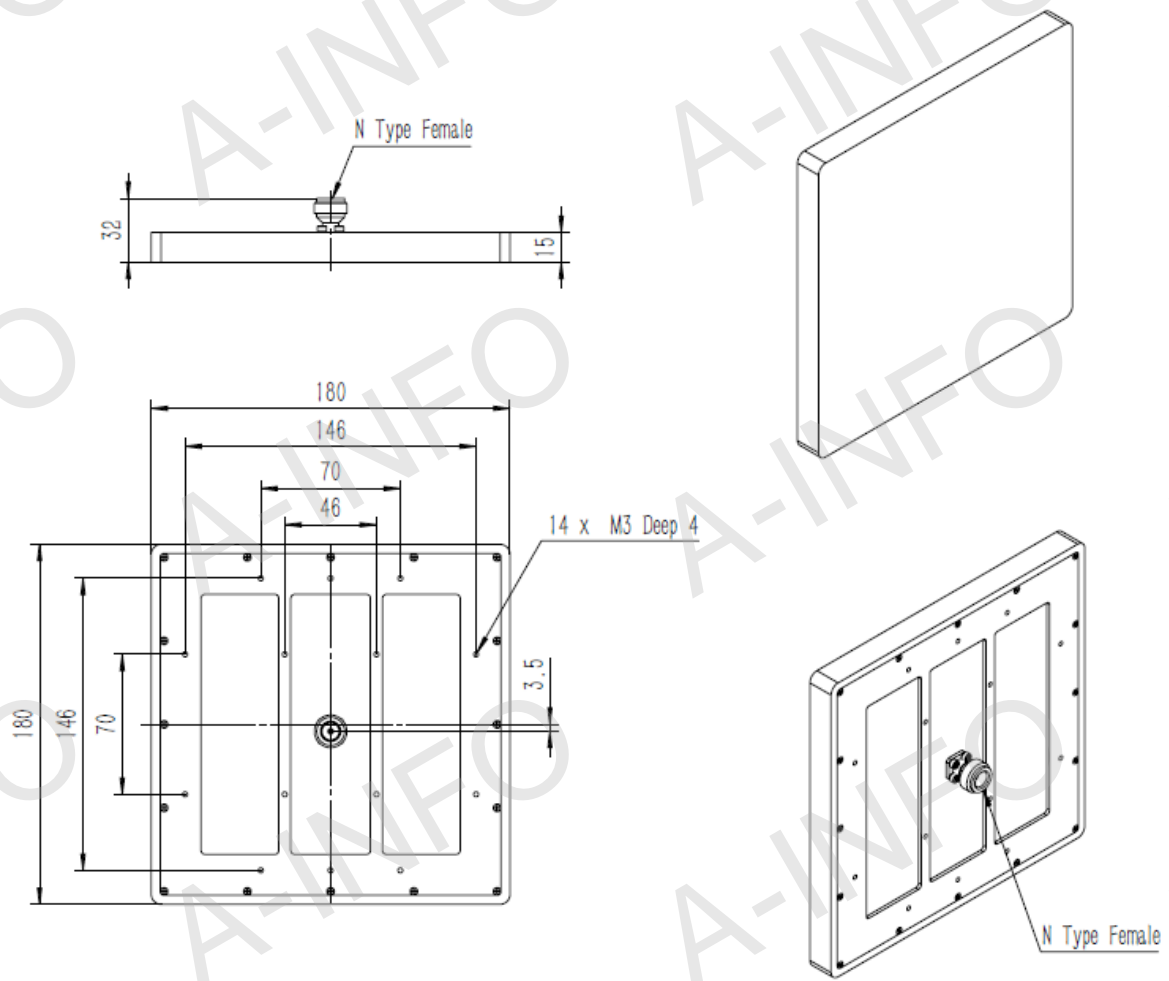
Frequency Range(GHz)	9.50-10.50
Center Frequency(GHz)	10.0
Gain(dBi)	20.0 Min.
Polarization	Vertical
3dB Beamwidth(deg)	Elevation: 13 Typ.
	Azimuth: 12 Typ.
Cross Pol. Isolation(dB)	20.0 Min.
VSWR	2.0:1 Max.
Power(W)	10 Max.
Connector	SMA-Female/N-Female
Size(mm)	180 x 180 x 15 (Connector is not included.)
Net Weight(Kg)	0.55 Around

Outline Drawing (Size: mm)

SMA Female Output

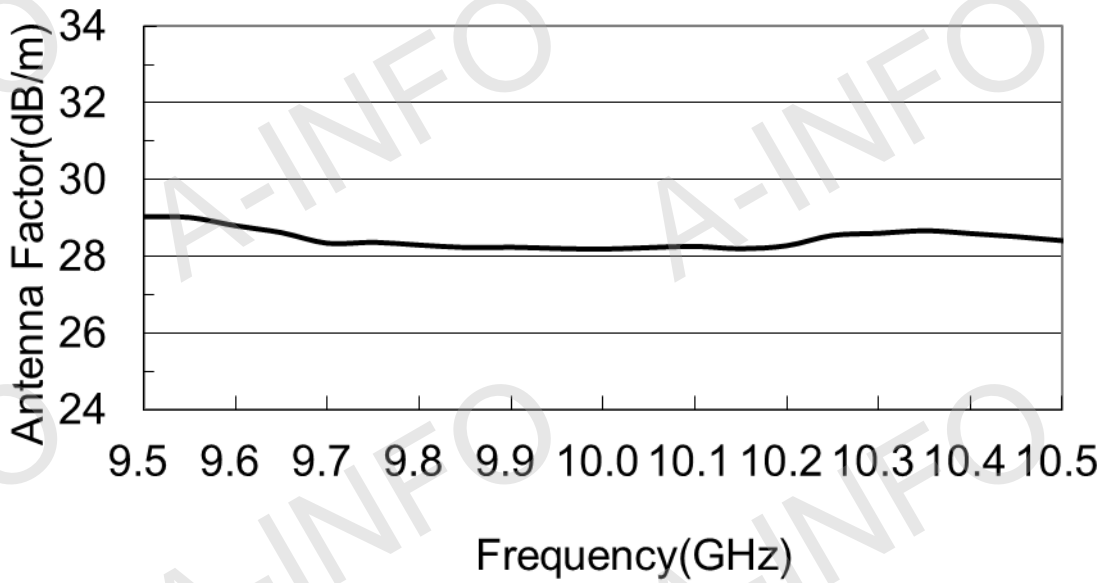
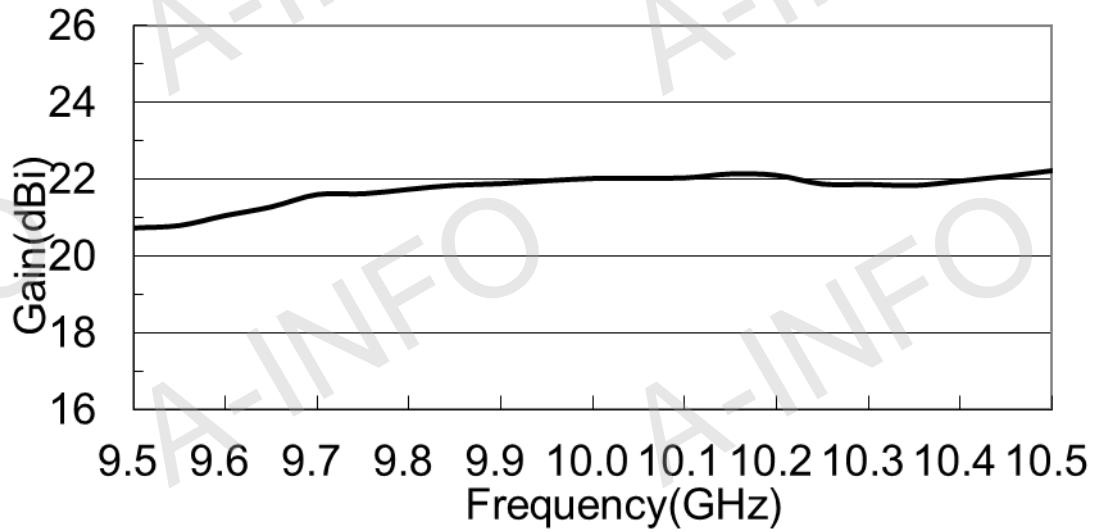


N Type Female Output

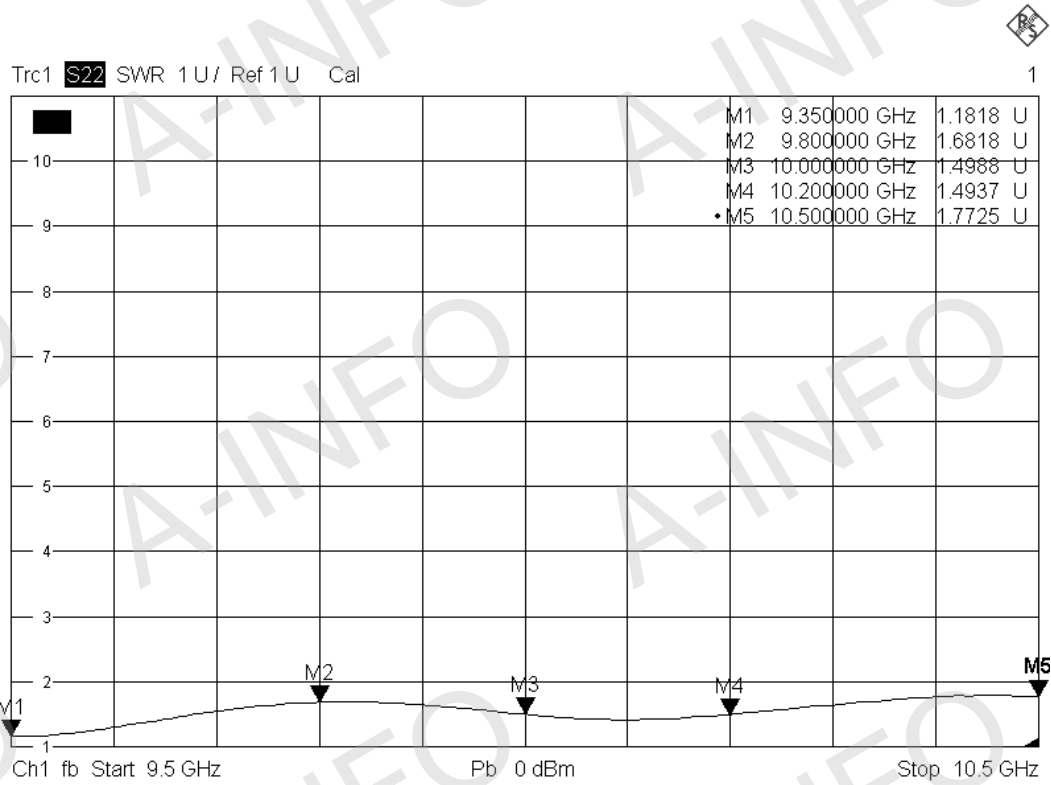


Test Results

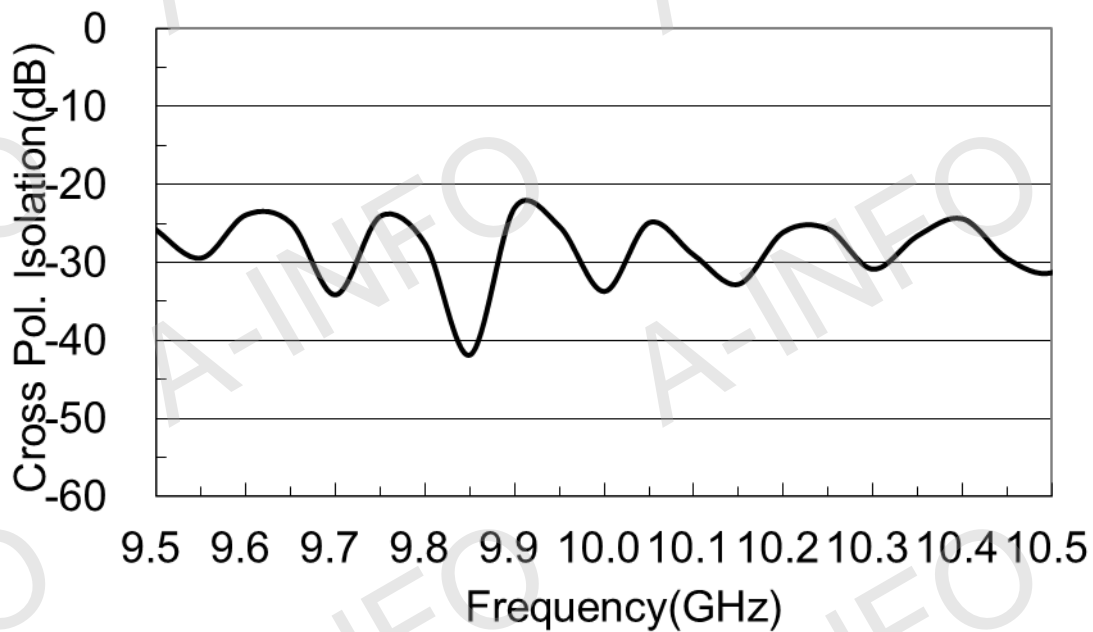
1. Gain & Antenna Factor



2. VSWR



3. Cross Polarization Isolation



4. Pattern

