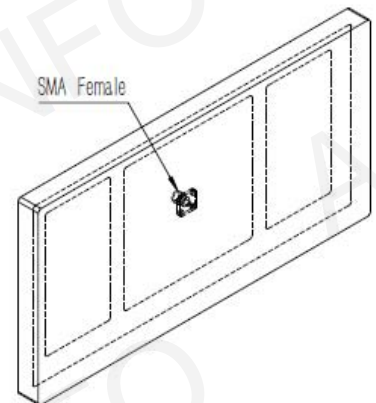
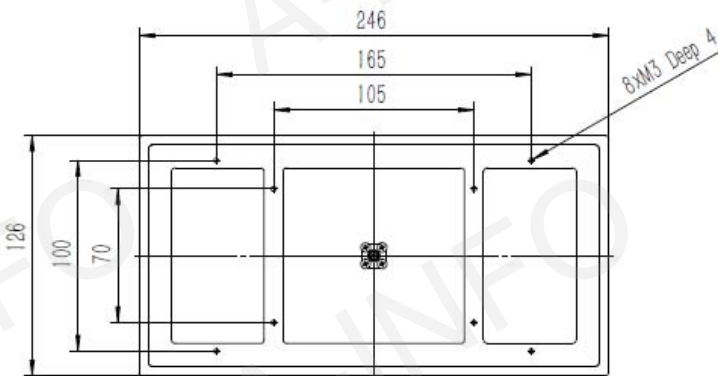
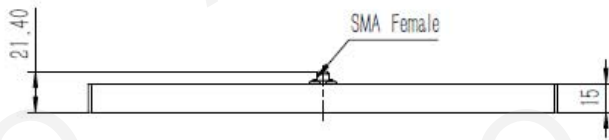


Technical Specification



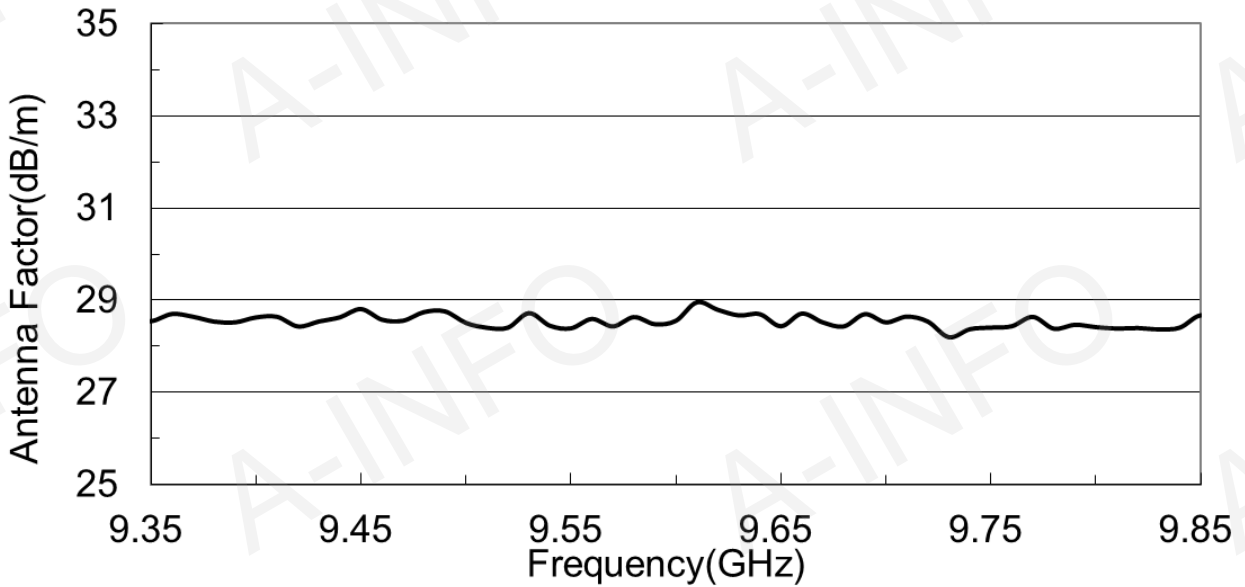
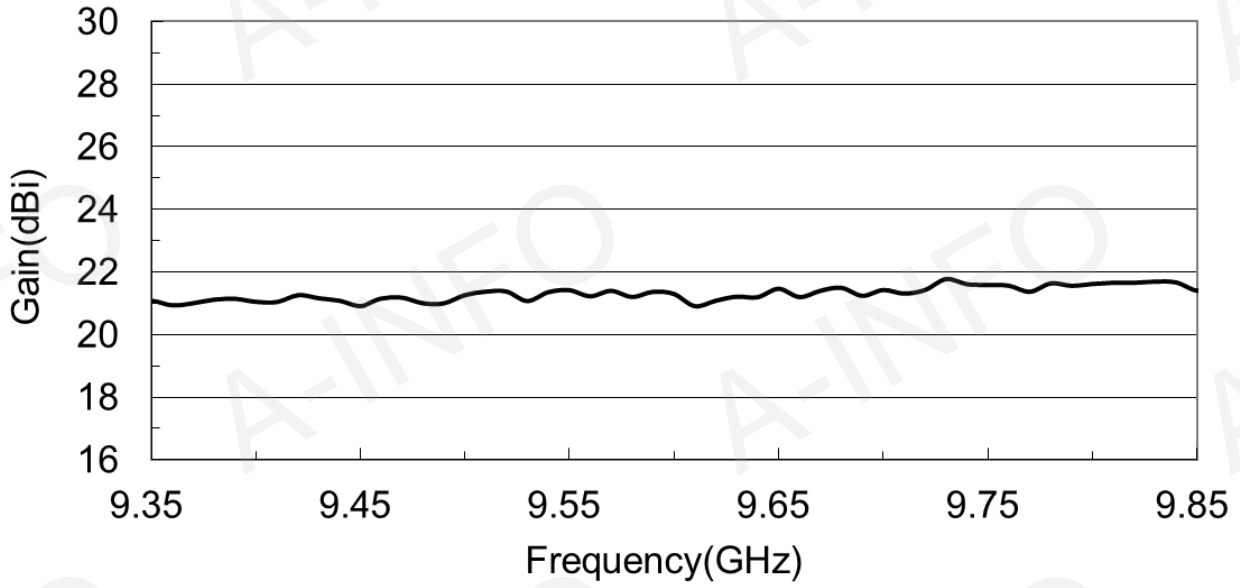
Frequency Range(GHz)	9.35-9.85
VSWR	2.0 Max
Gain(dB)	20.0 Min
3dB Beamwidth(deg)	20 Typ. In Elevation
	7.5 Typ. In Azimuth
Connector	SMA-Female
Size(mm)	246x126x15 (Connector is not included.)
Net Weight(Kg)	0.42 Around

Outline Drawing (Size: mm)

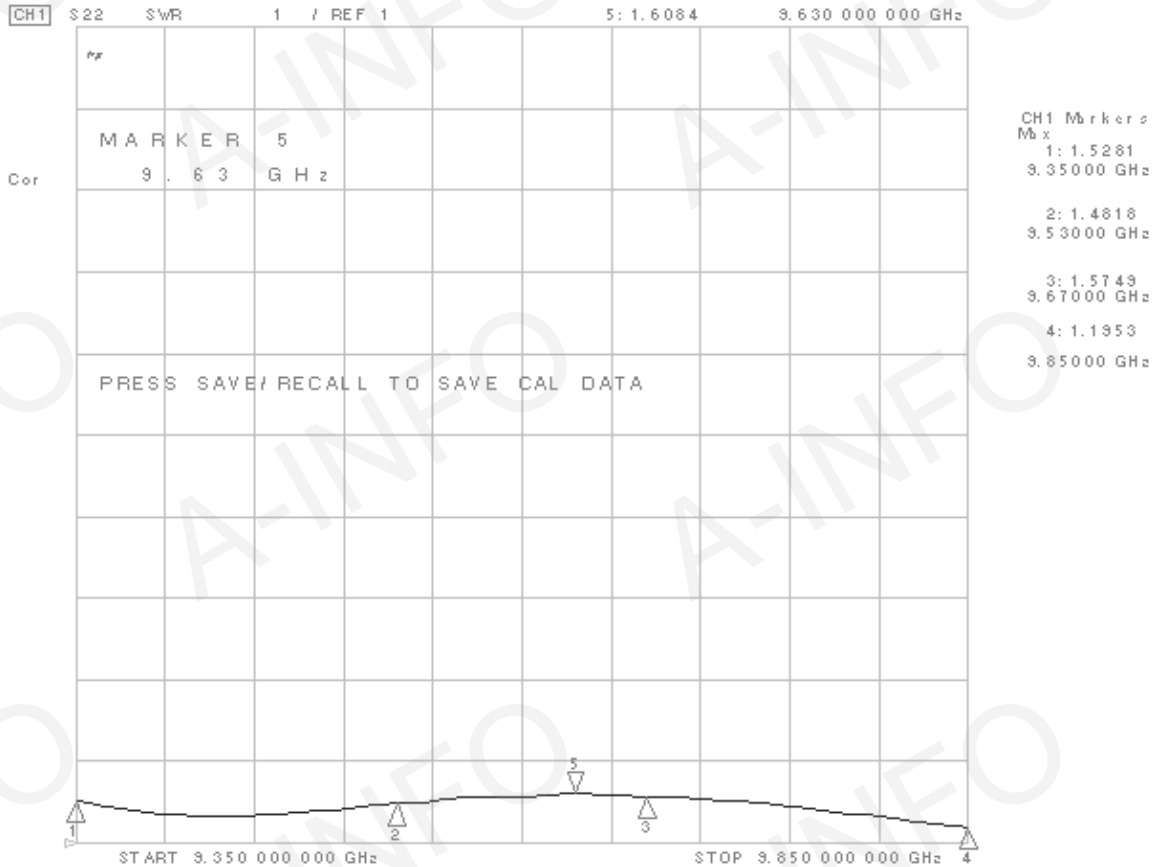


Test Results

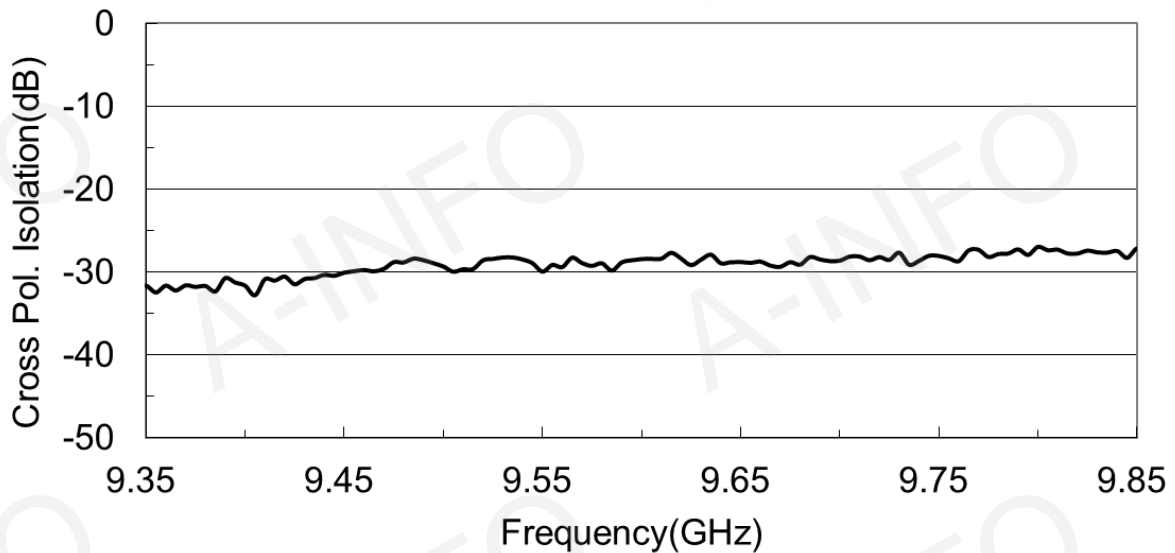
1. Gain & Antenna Factor



2. VSWR



3. Cross Polarization Isolation



4. Pattern

