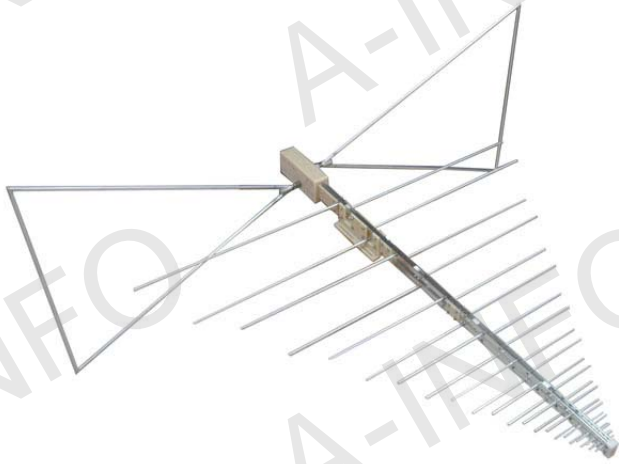
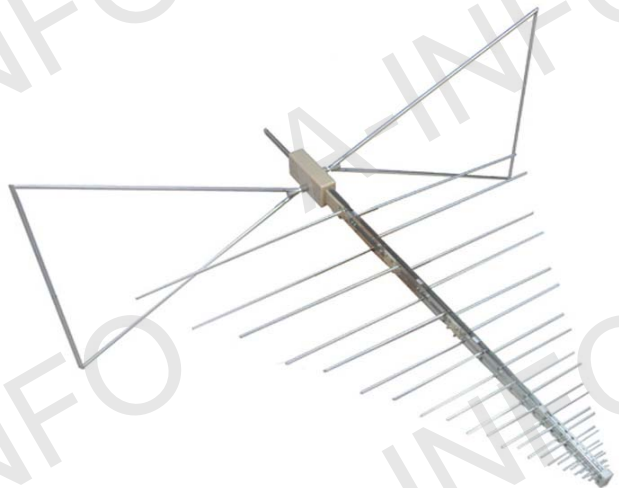


Technical Specification



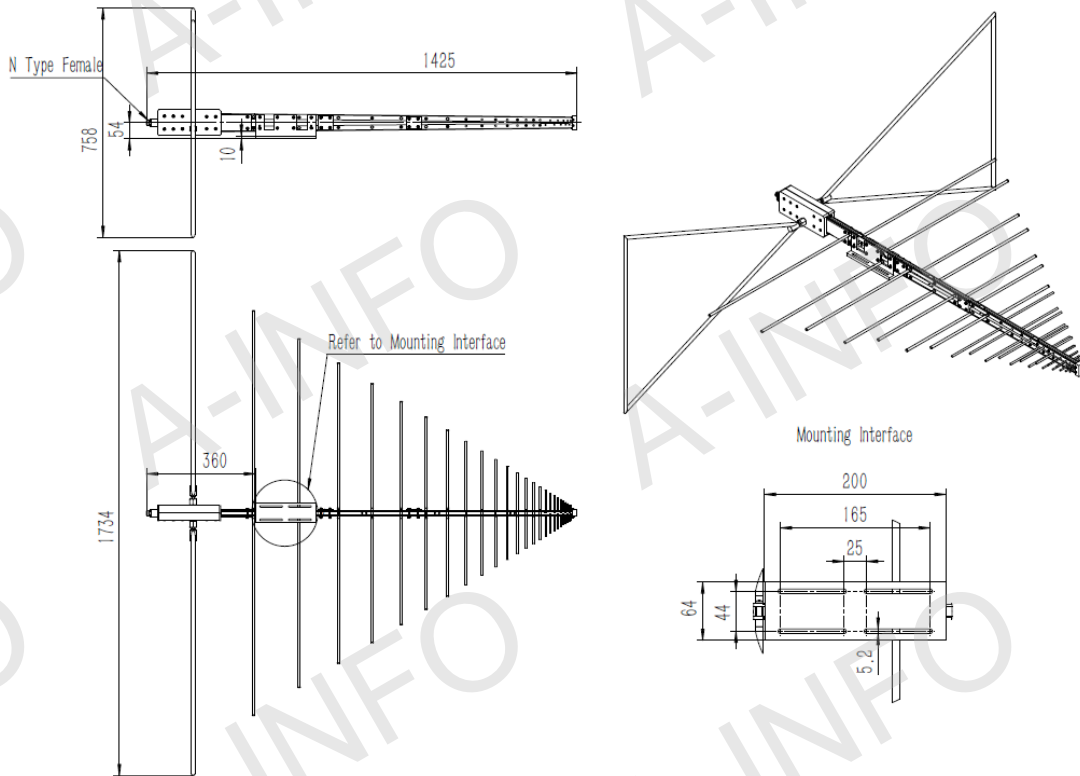
<i>P/N: DS-3300</i>	
Frequency Range(GHz)	0.03 - 3.0
Gain(dB)	-10 - 6.0 Typ.
Polarization	Linear
VSWR	10.0 Typ.(30-50MHz)
	2.0 Typ.(50-100MHz)
	1.5 Typ./ 2.0 Max (100-3000MHz)
Connector	N-Female
Power handling(W)	300 CW
Size(mm)	1734 x 1425
Net Weight(Kg)	3.5 Around



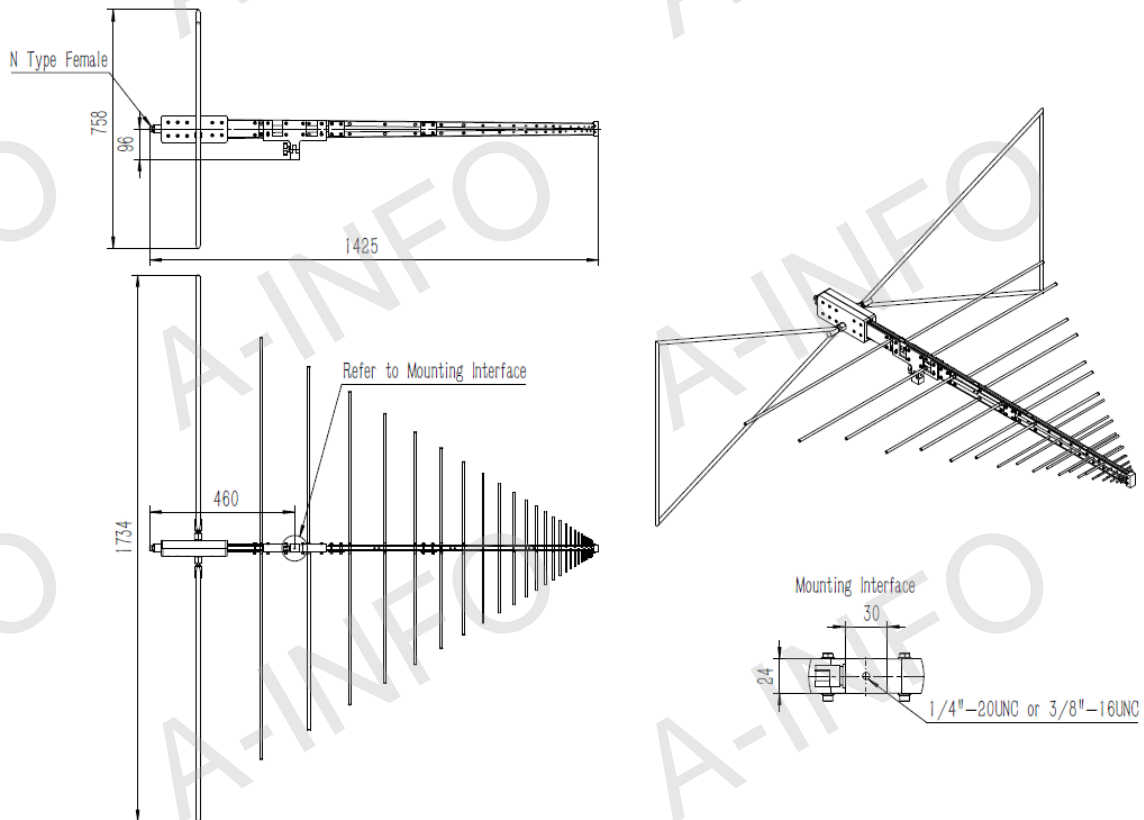
<i>P/N: DS-3300E</i>	
Frequency Range(GHz)	0.03 - 3.0
Gain(dB)	-10 - 6.0 Typ.
Polarization	Linear
VSWR	10.0 Typ.(30-50MHz)
	2.0 Typ.(50-100MHz)
	1.5 Typ./ 2.0 Max (100-3000MHz)
Connector	N-Female
Power handling(W)	300 CW
Size(mm)	1734 x 1601
Net Weight(Kg)	4.3 Around

Outline Drawing (Size: mm)

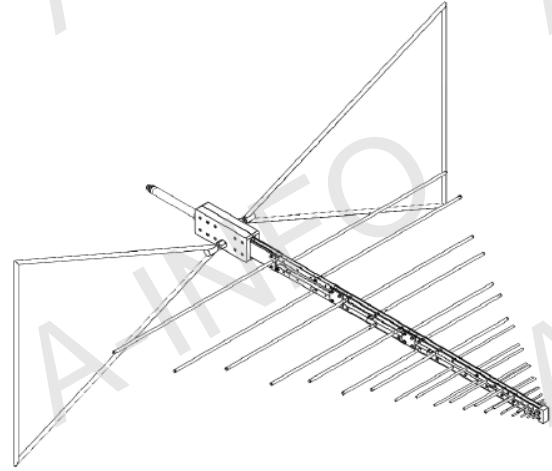
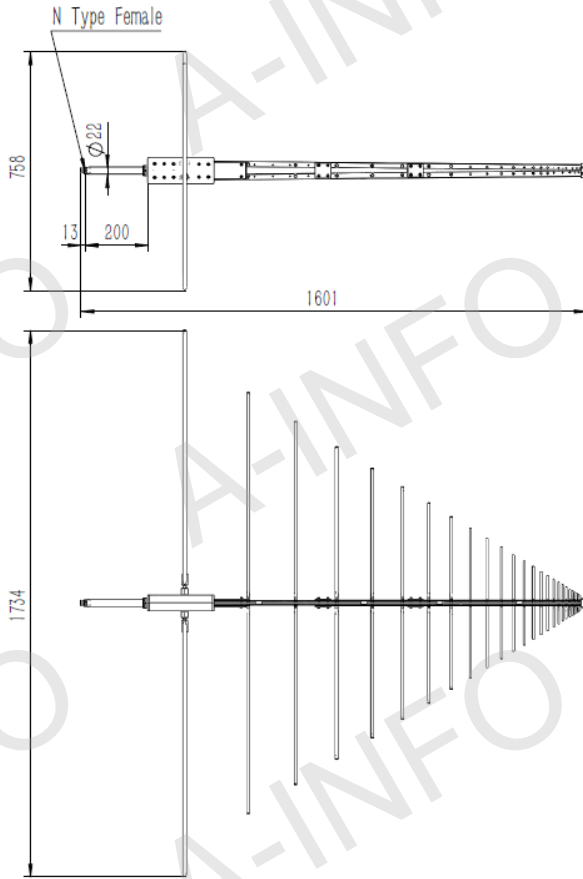
DS-3300 with Mounting Bracket



DS-3300 with Mounting Bracket for Tripod Application

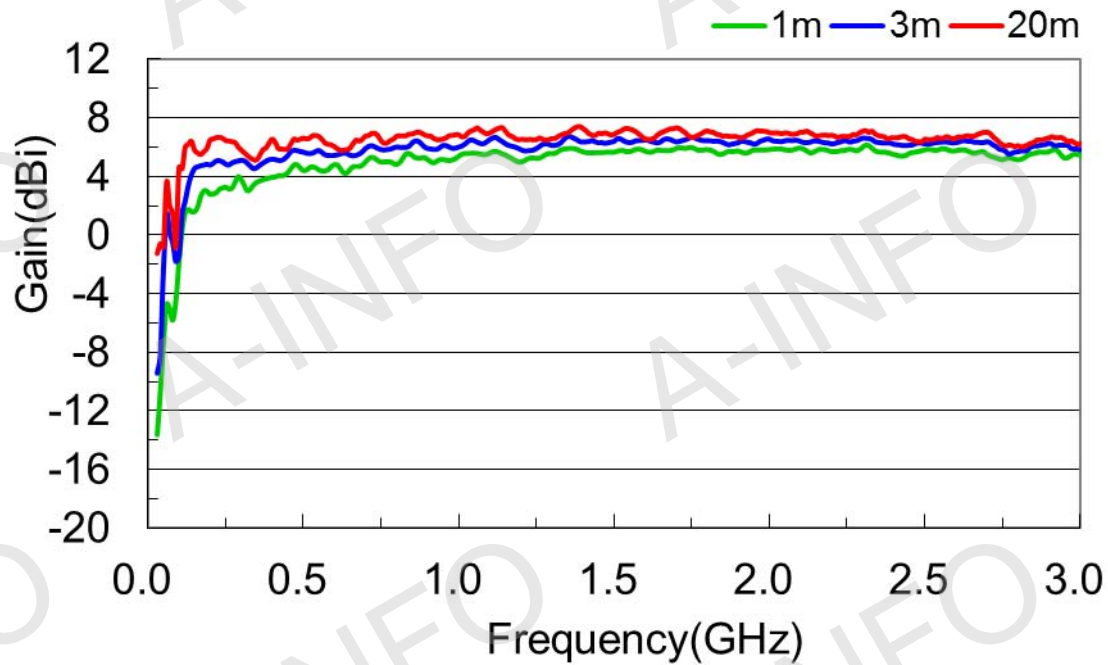


DS-3300E

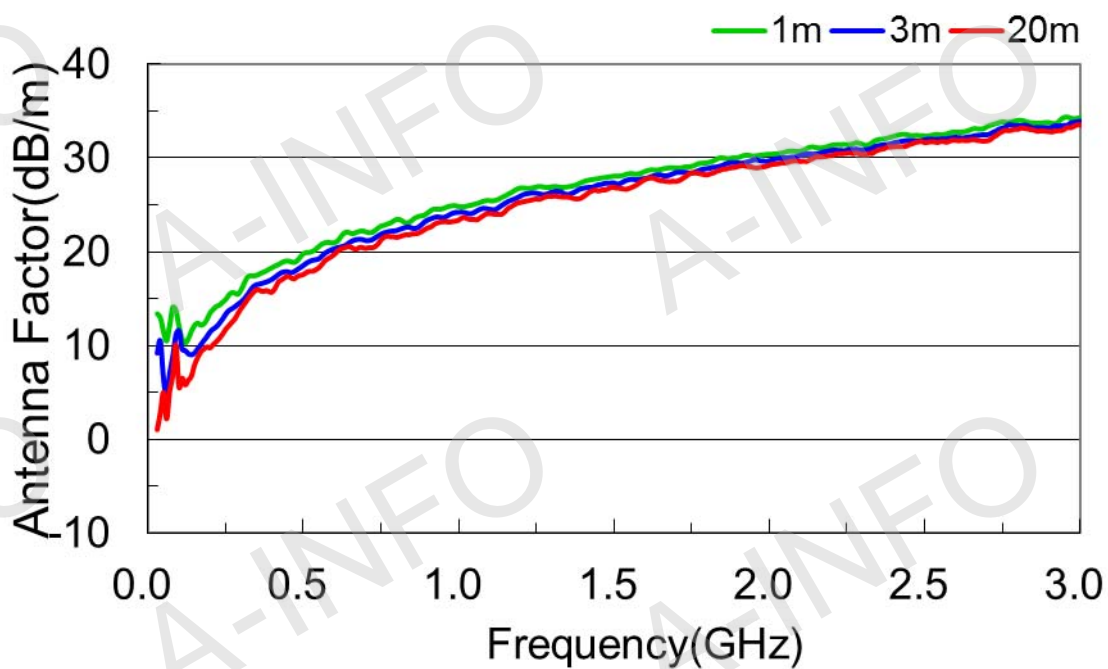


Test Results

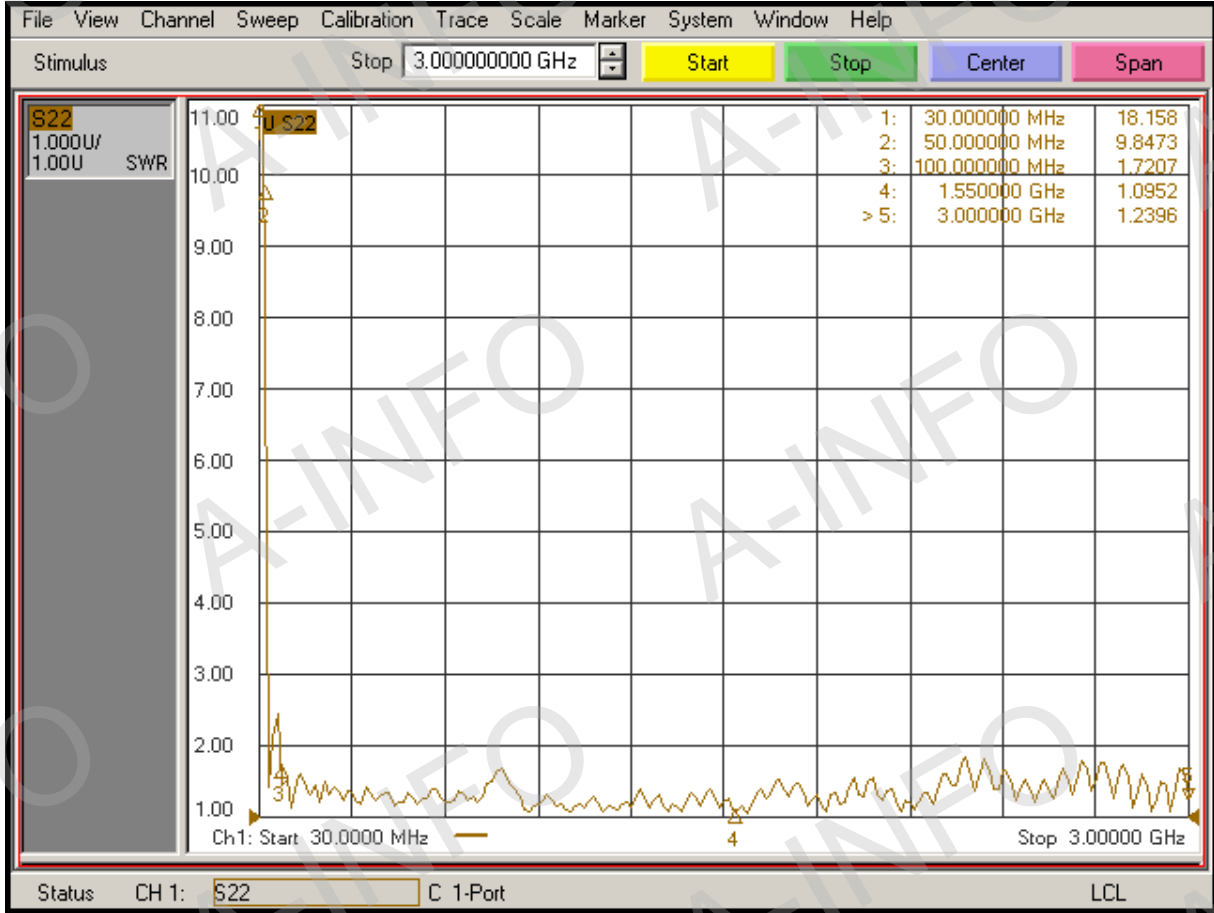
1. Gain



2. Antenna Factor



3. VSWR (10.0 Typ. 30-50MHz, 2.0 Typ. 50-100MHz, 1.5 Typ. / 2.0 Max 100-3000MHz)



4. Pattern

