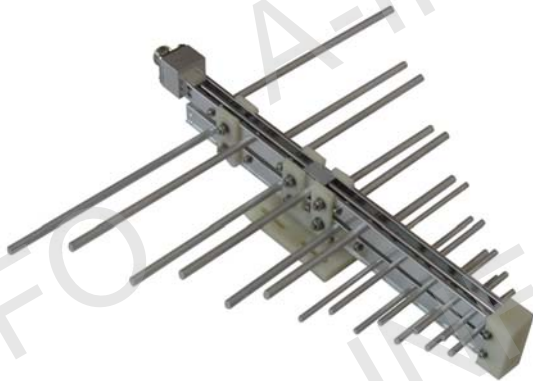


Technical Specification



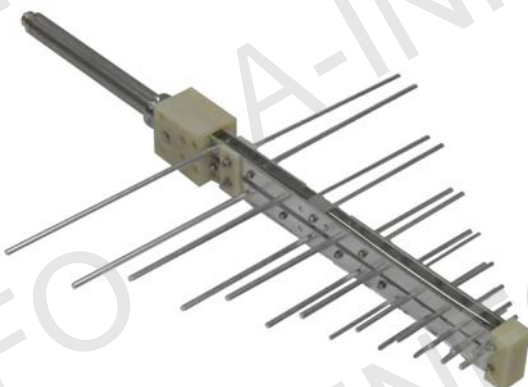
P/N: DS-40200

| | |
|----------------------|-------------|
| Frequency Range(GHz) | 0.4 - 2.0 |
| Gain(dB) | 6.0 Typ. |
| Polarization | Linear |
| 3dB Beamwidth(deg) | 140-30 |
| VSWR | 1.5 Typ. |
| | 2.0 Max. |
| Output | N-Female |
| Size(mm) | 410.4 x 382 |
| Net Weight(Kg) | 0.6 Around |



P/N: DS-40200C

| | |
|----------------------|-------------|
| Frequency Range(GHz) | 0.4 - 2.0 |
| Gain(dB) | 6.0 Typ. |
| Polarization | Linear |
| 3dB Beamwidth(deg) | 140-30 |
| VSWR | 1.5 Typ. |
| | 2.5 Max. |
| Connector | N-Female |
| Size(mm) | 410.4 x 374 |
| Net Weight(Kg) | 0.6 Around |

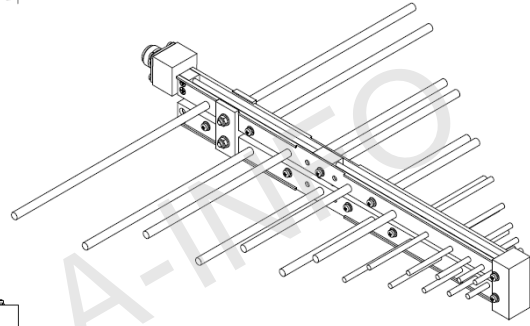
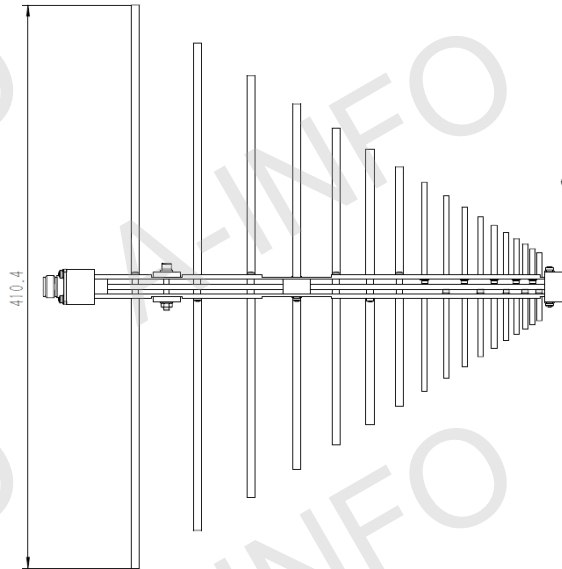
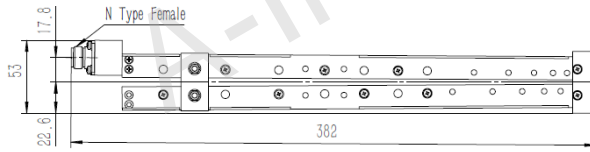


P/N: DS-40200E

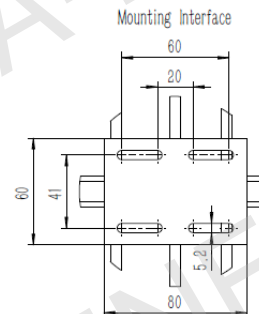
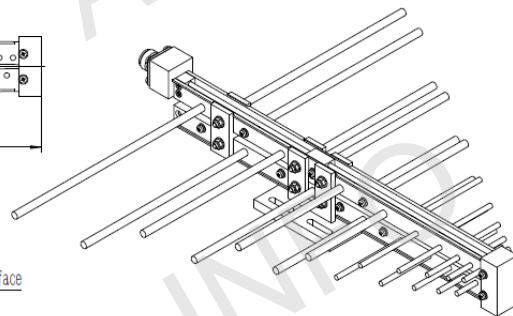
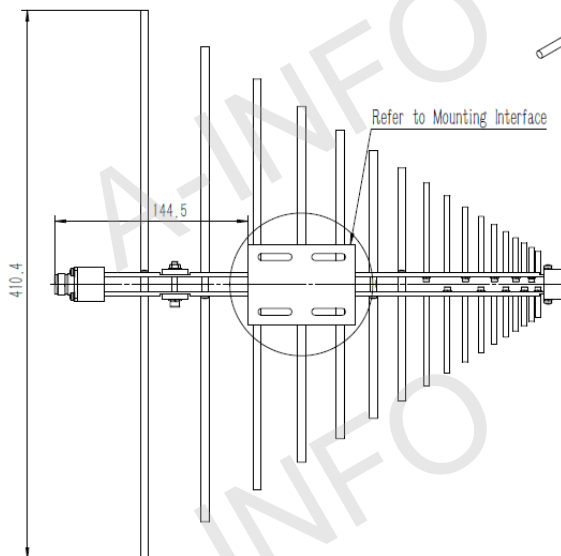
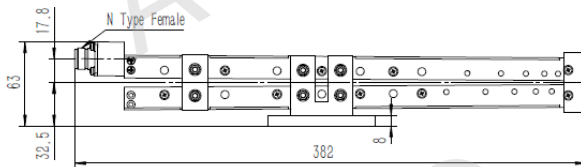
| | |
|----------------------|-------------|
| Frequency Range(GHz) | 0.4 - 2.0 |
| Gain(dB) | 6.0 Typ. |
| Polarization | Linear |
| 3dB Beamwidth(deg) | 140-30 |
| VSWR | 1.5 Typ. |
| | 2.0 Max. |
| Output | N-Female |
| Size(mm) | 410.4 x 594 |
| Net Weight(Kg) | 0.85 Around |

Outline Drawing (Size: mm)

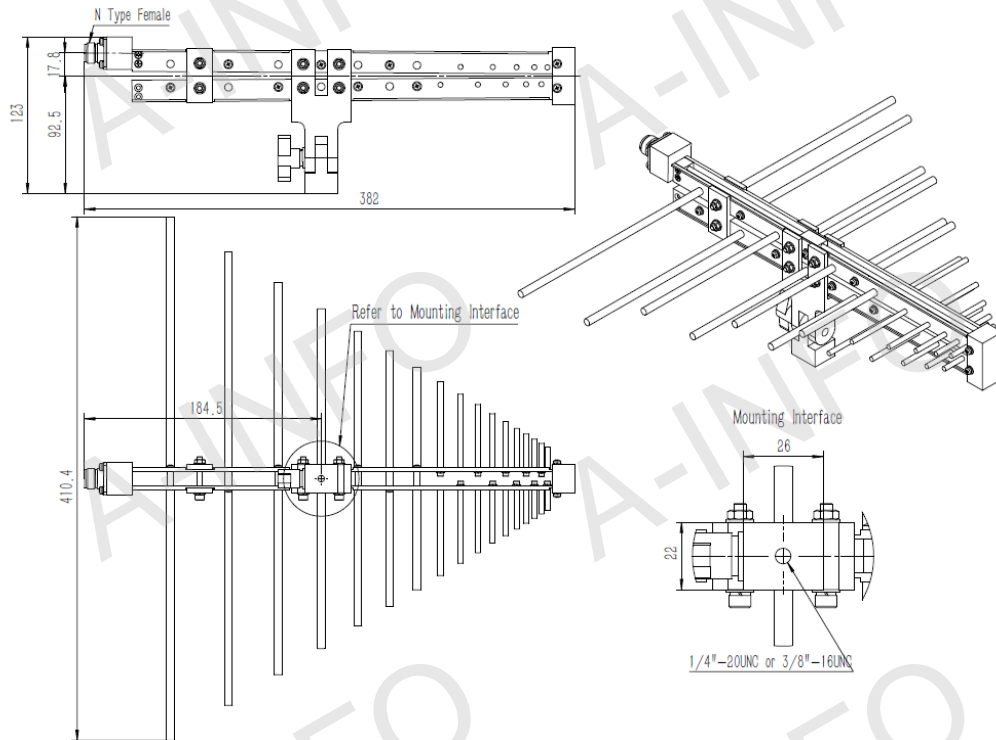
DS-40200



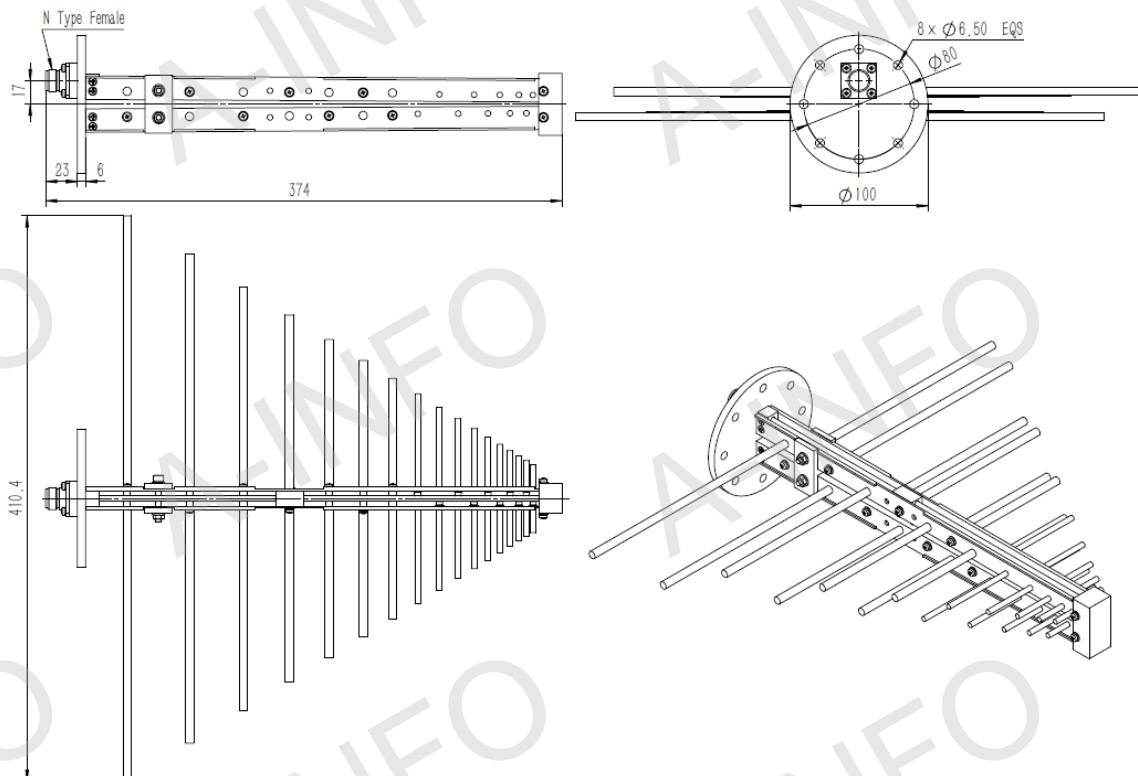
DS-40200 with Mounting Bracket



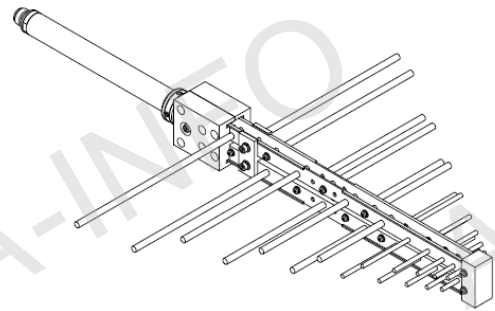
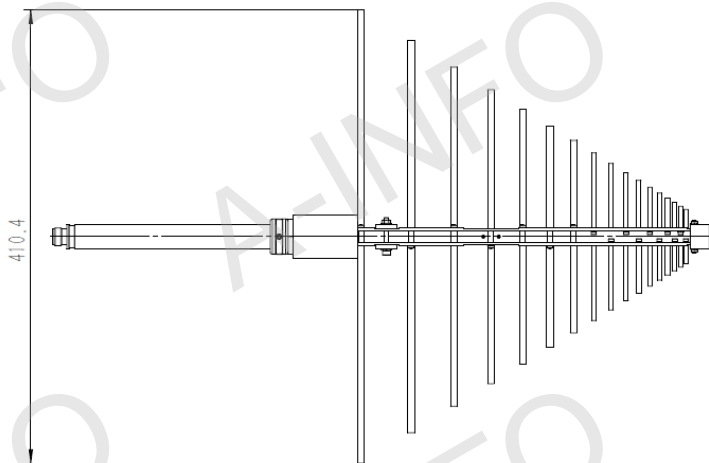
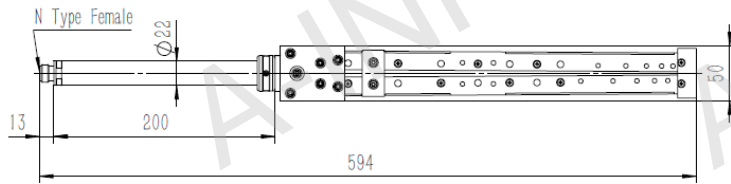
DS-40200 with Mounting Bracket for Tripod Application



DS-40200C

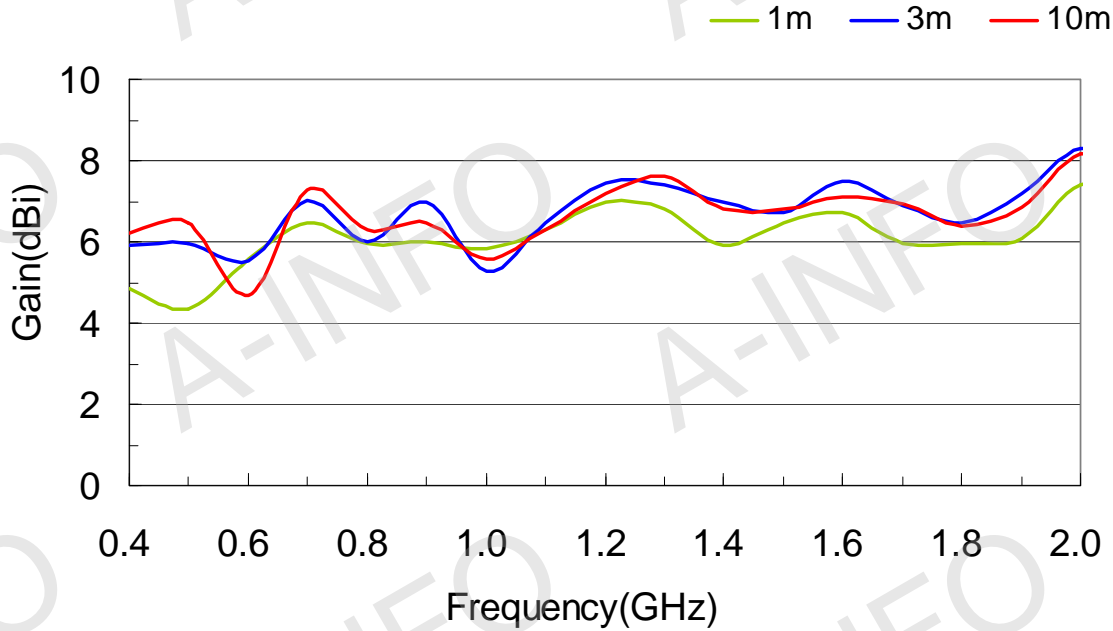


DS-40200E

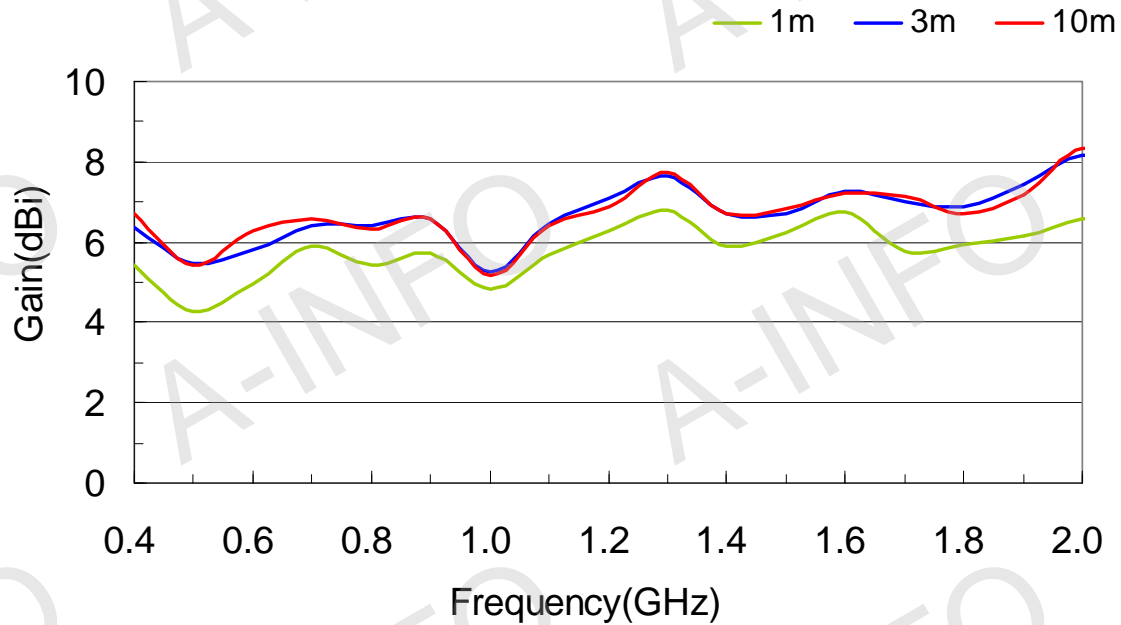


Test Results

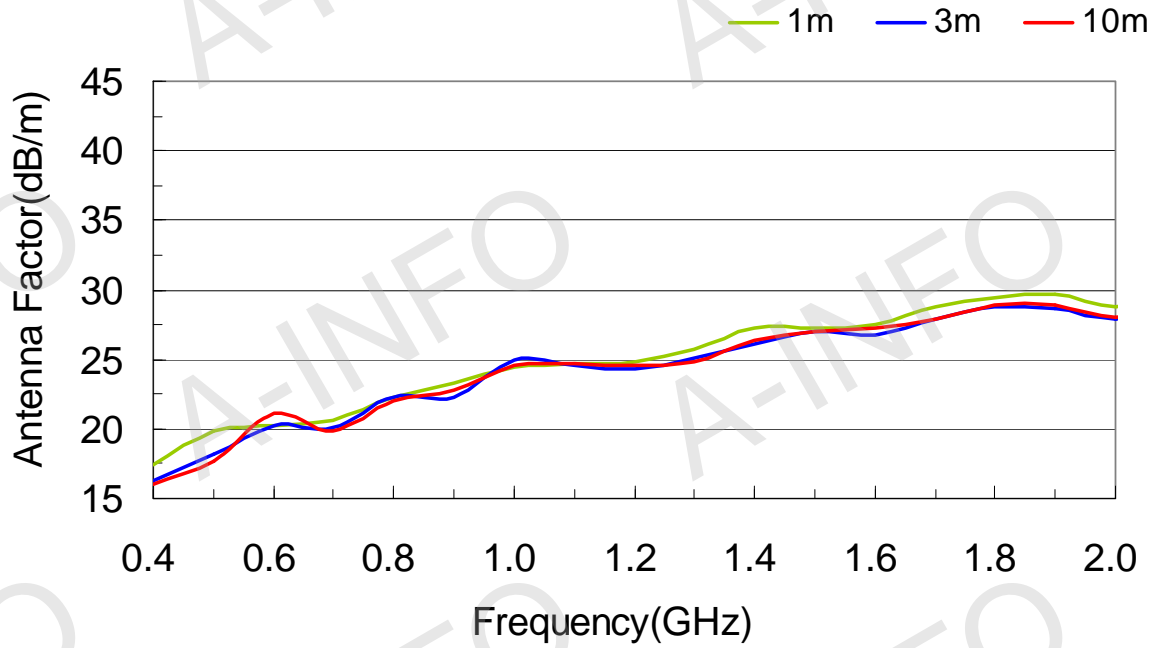
1. Gain Horizontal Pol.



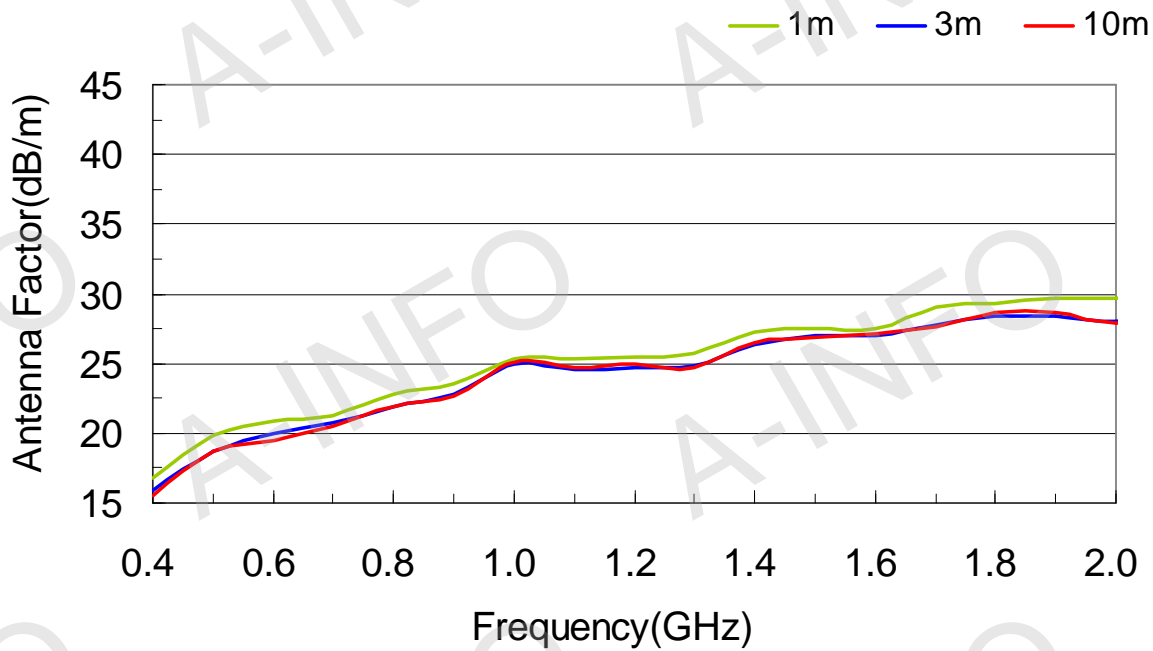
Vertical Pol.



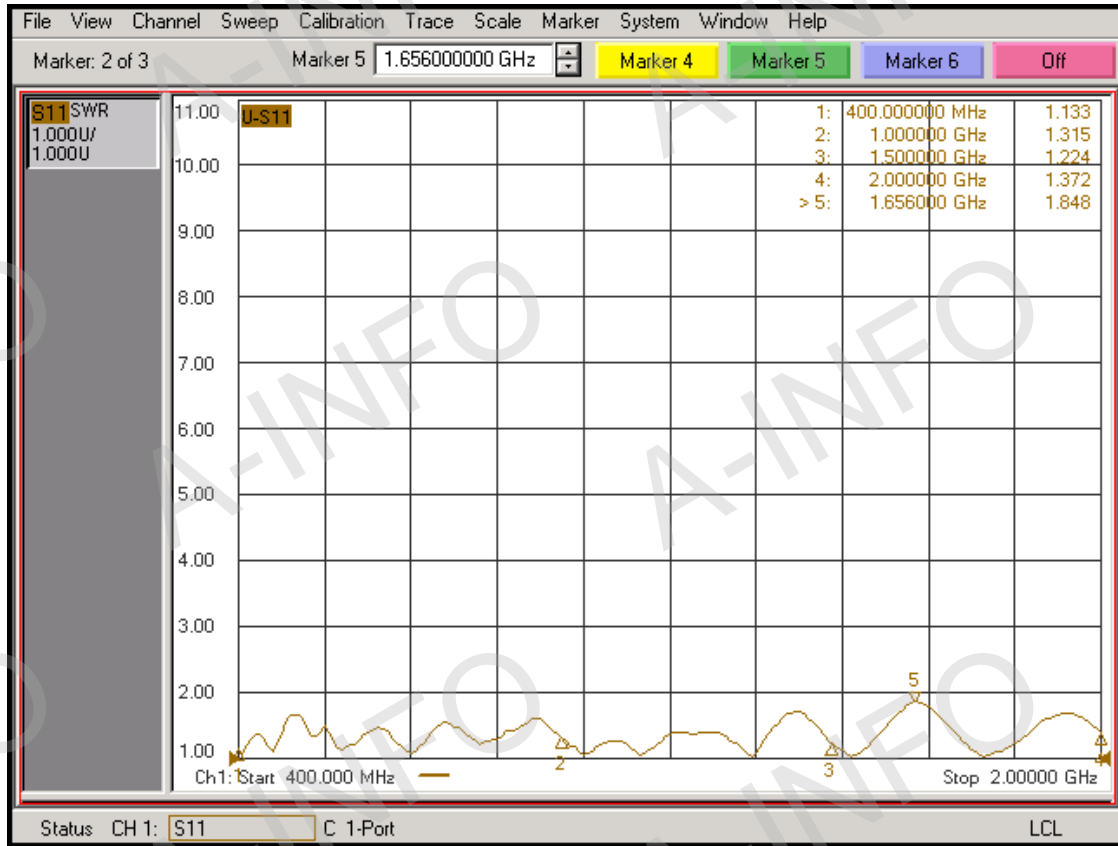
2. Antenna Factor Horizontal Pol.



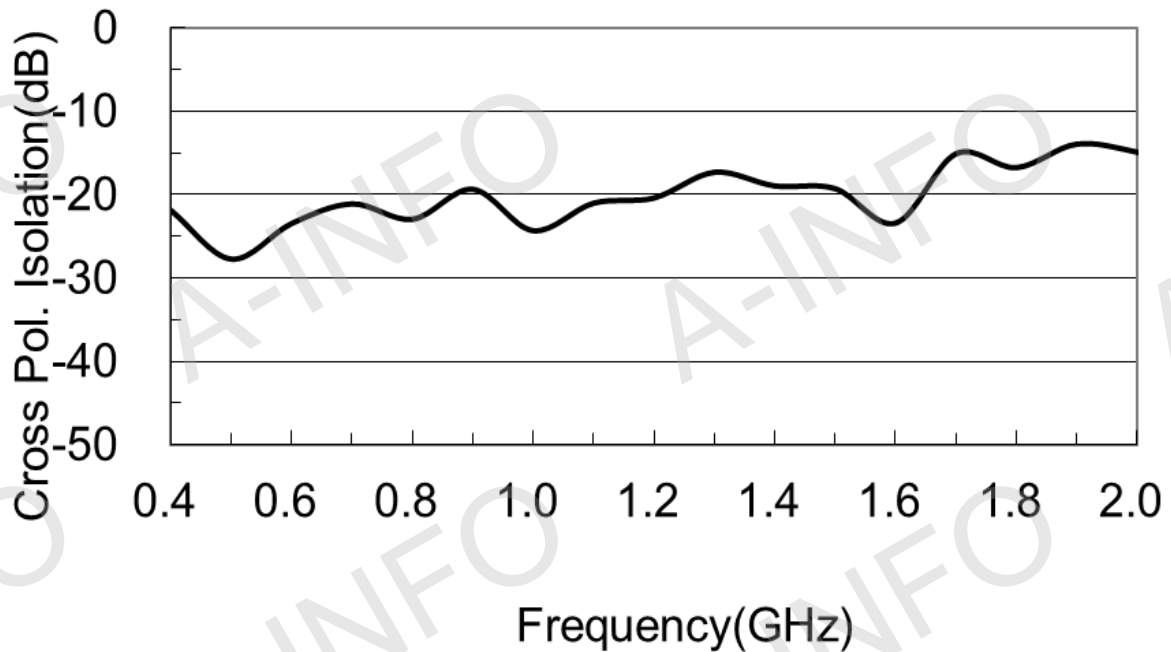
Vertical Pol.



3. VSWR



4. Cross Polarization Isolation



5. Pattern

