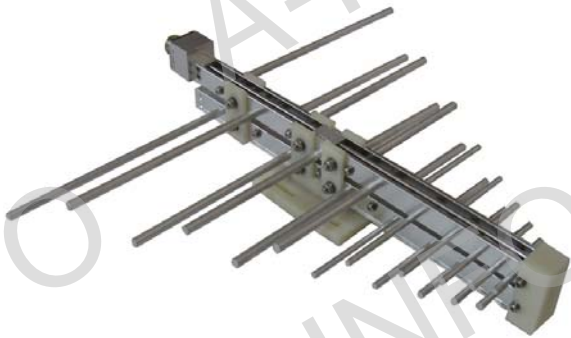


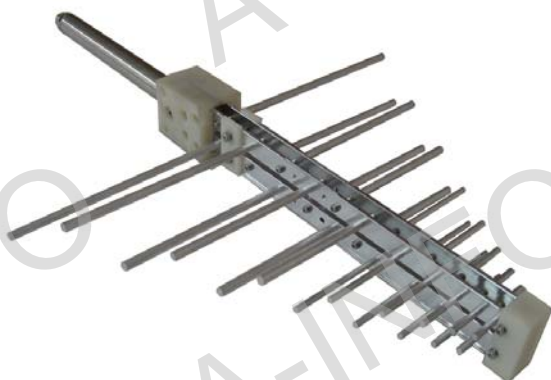
Technical Specification



<i>P/N: DS-50200</i>	
Frequency Range(GHz)	0.5-2.0
Gain(dB)	7 Typ.
Polarization	Linear
VSWR	1.5 Typ.
	2.5 Max
3dB Beamwidth(deg)	140-30
Connector	N-Female
Size(mm)	355 x 337
Net Weight(Kg)	0.5 Around



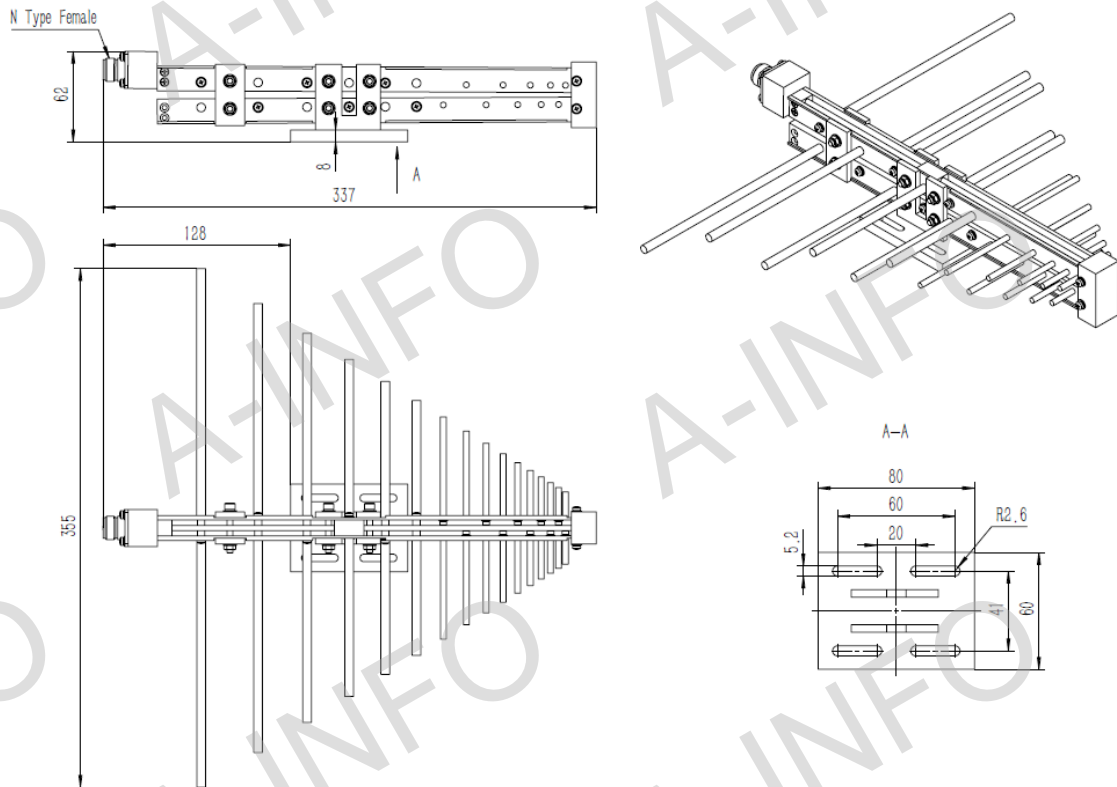
<i>P/N: DS-50200C</i>	
Frequency Range(GHz)	0.5-2.0
Gain(dB)	7 Typ.
Polarization	Linear
VSWR	1.5 Typ.
	2.5 Max
3dB Beamwidth(deg)	140-30
Connector	N-Female
Size(mm)	355 x 329
Net Weight(Kg)	0.6 Around



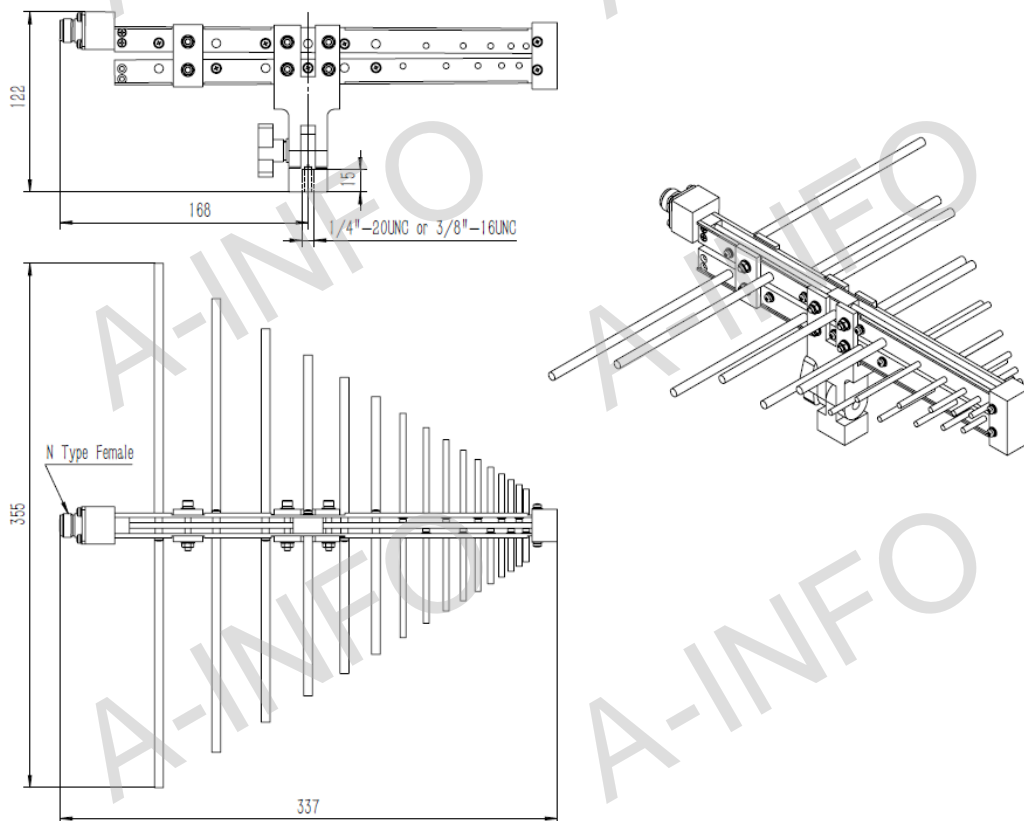
<i>P/N: DS-50200E</i>	
Frequency Range(GHz)	0.5-2.0
Gain(dB)	7 Typ.
Polarization	Linear
VSWR	1.5 Typ.
	2.5 Max
3dB Beamwidth(deg)	140-30
Connector	N-Female
Size(mm)	355 x 550
Net Weight(Kg)	0.7 Around

Outline Drawing (Size: mm)

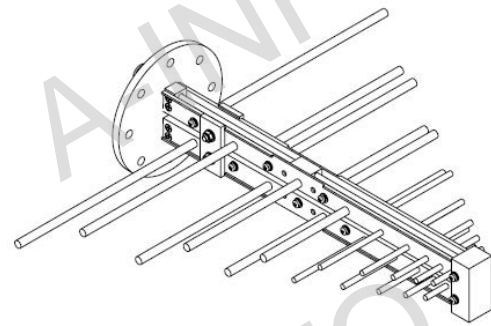
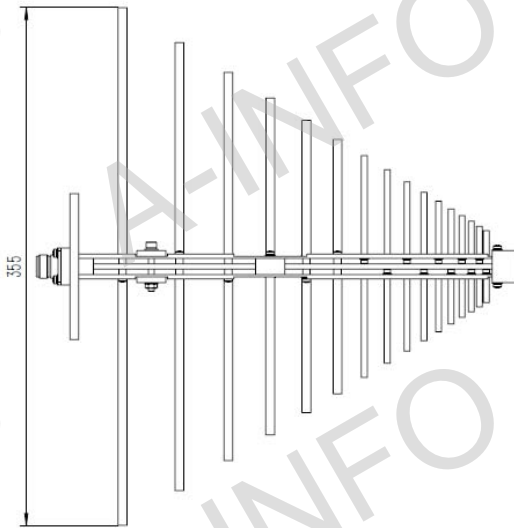
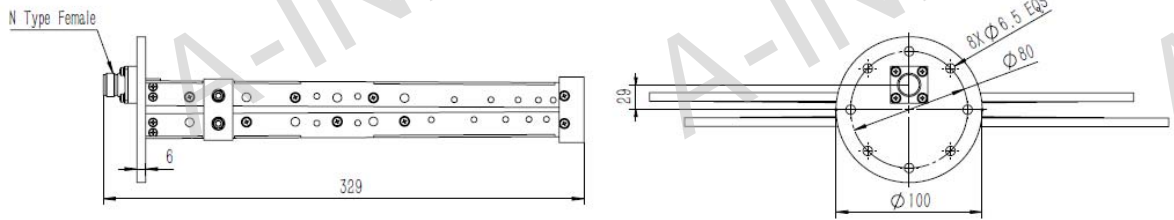
DS-50200 with Mounting Bracket



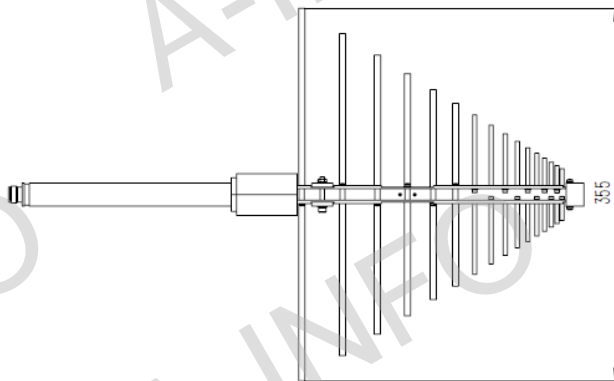
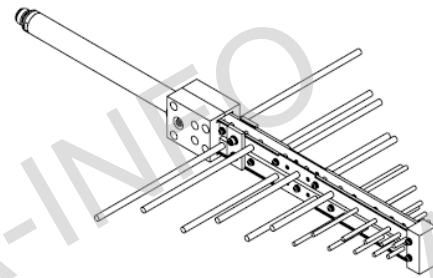
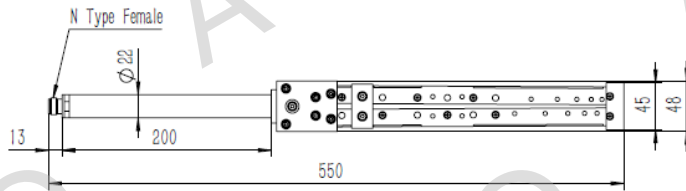
DS-50200 with Mounting Bracket for Tripod Application



DS-50200C

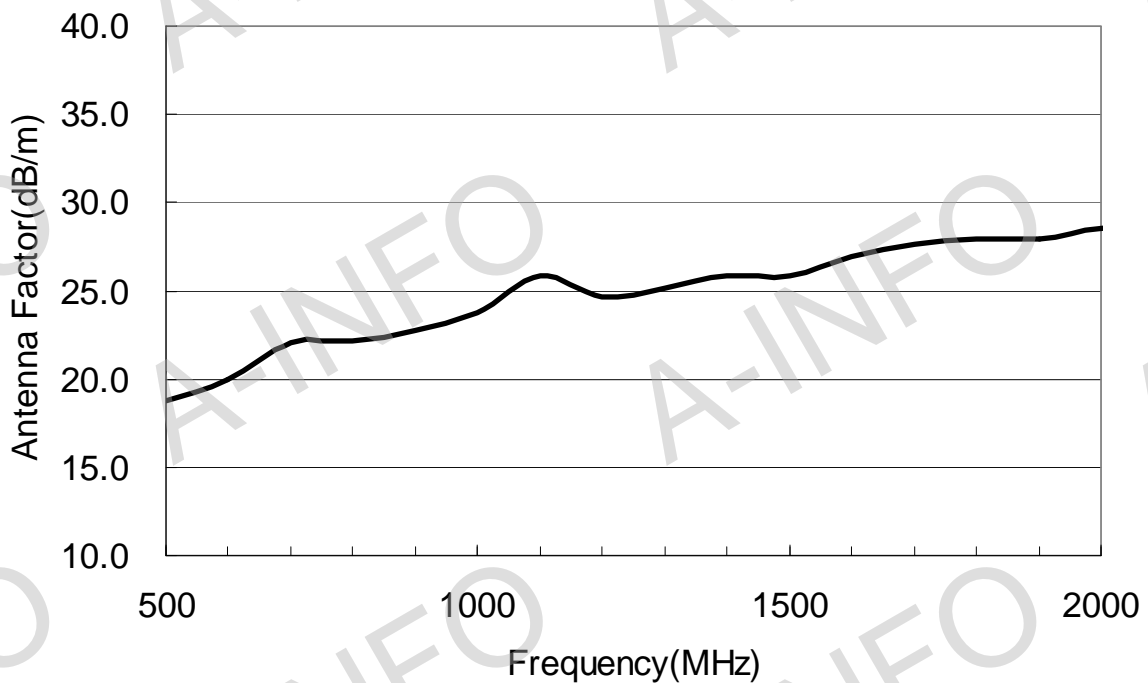
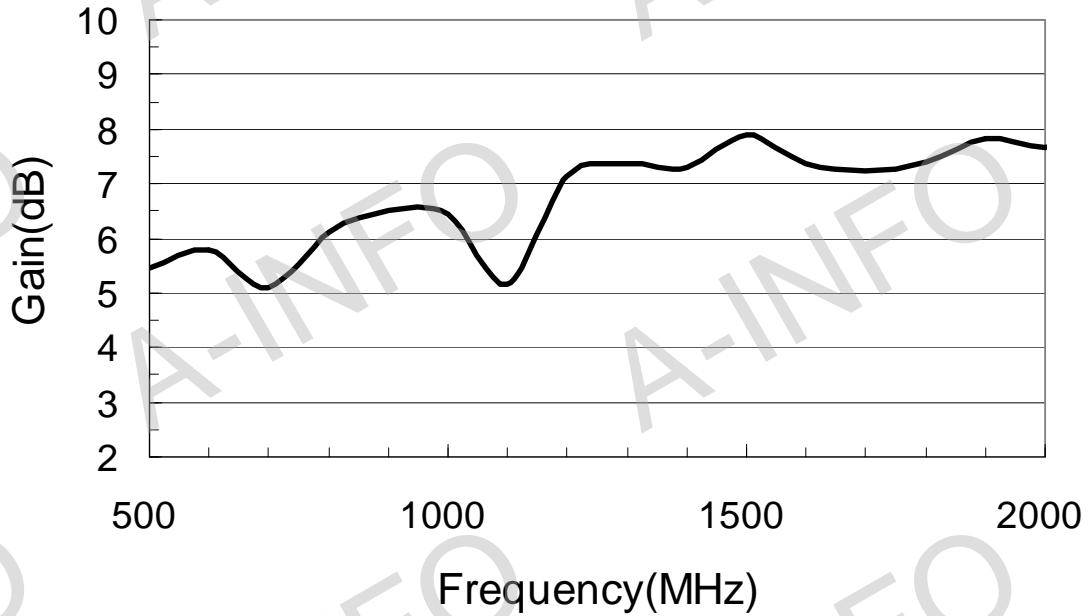


DS-50200E

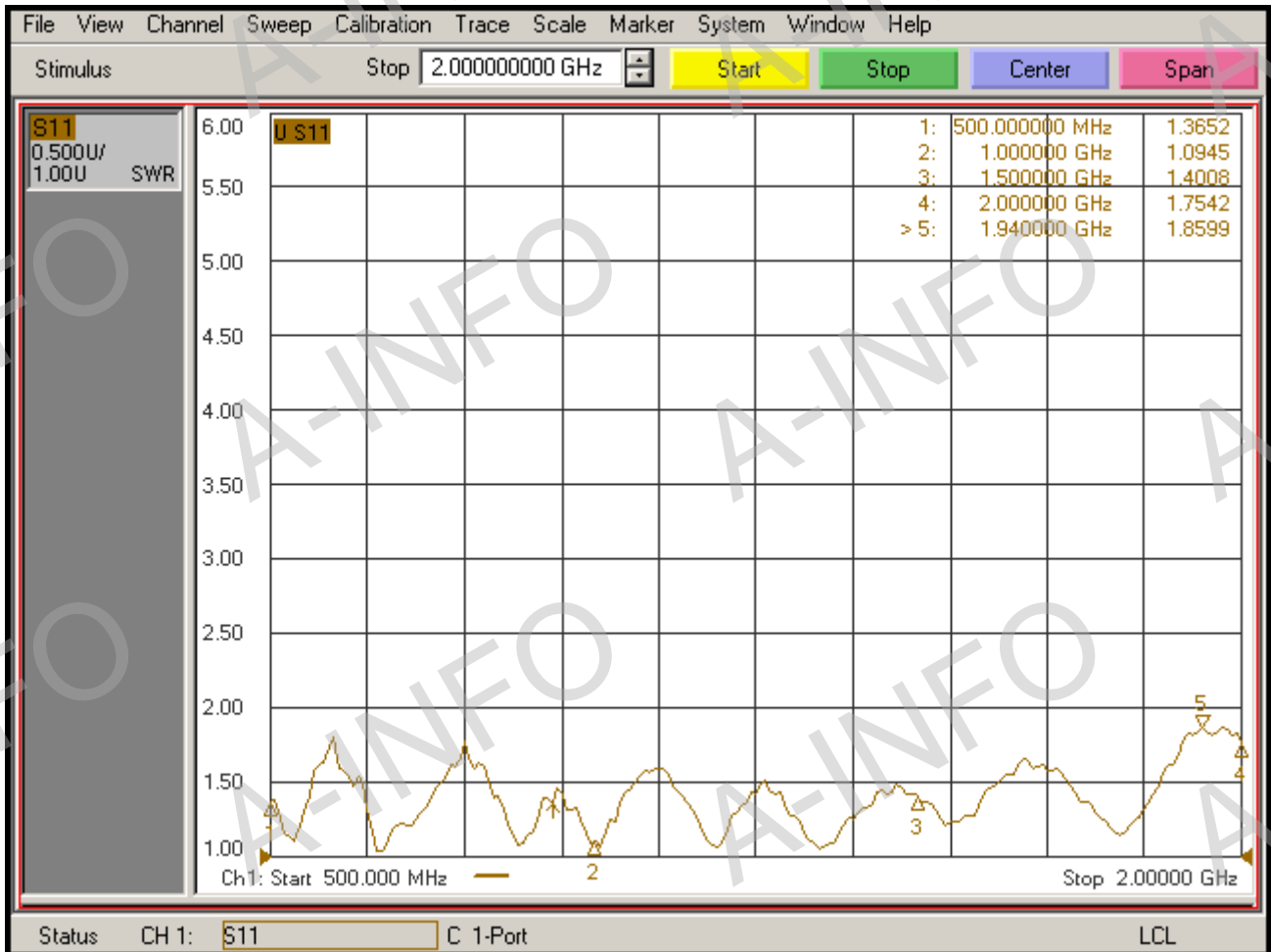


Test Results

1. Gain & Antenna Factor



2. VSWR



3. Pattern

