

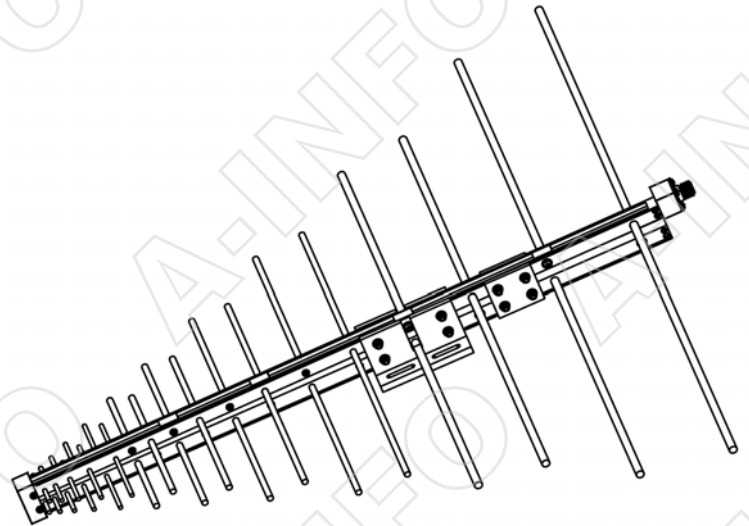
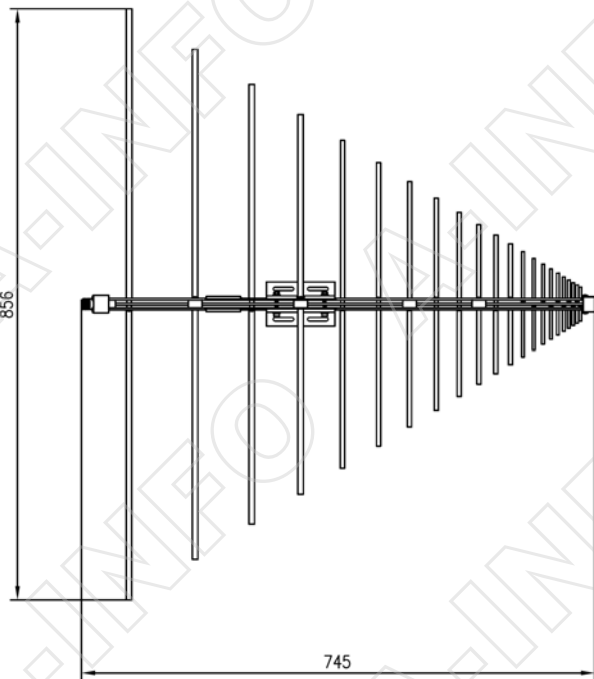
Technical Specification



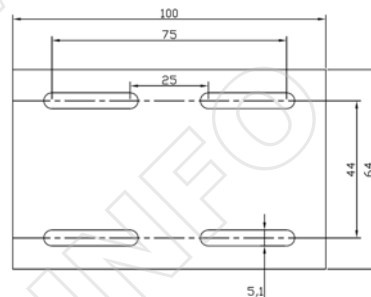
The picture is for reference only.

Frequency Range(GHz)	0.18- 2.0
Gain(dB)	6 Typ.
Polarization	Linear
VSWR	2.0 Typ.
Connector	N -Female
Size(mm)	856 x 745
Net Weight(Kg)	1.0 Around

Outline Drawing (Size: mm)

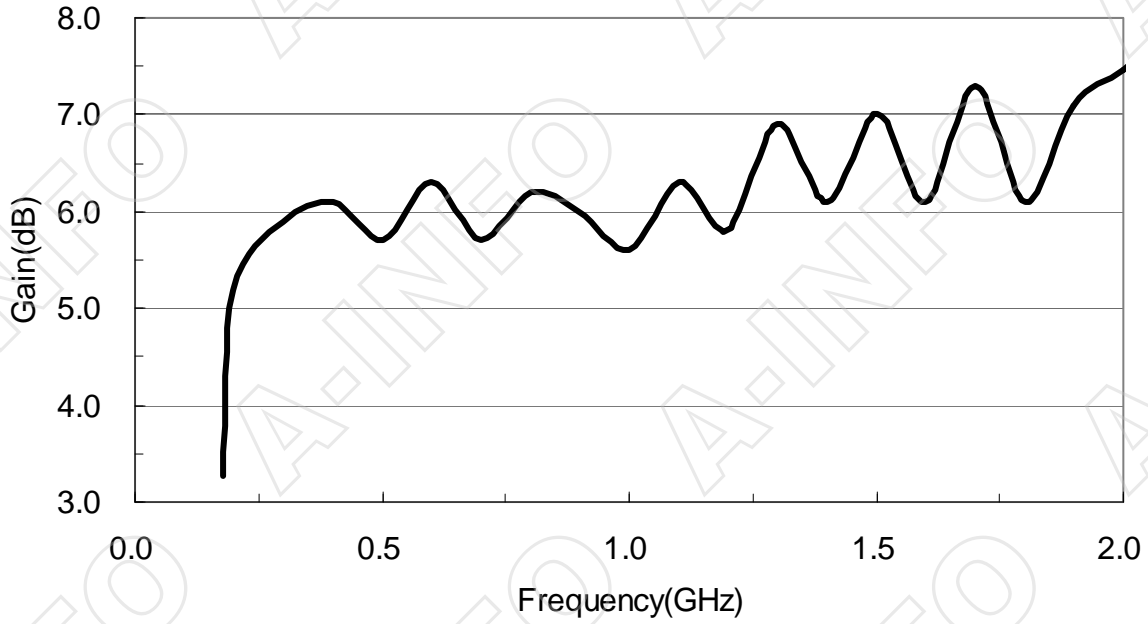


Mounting Bracket

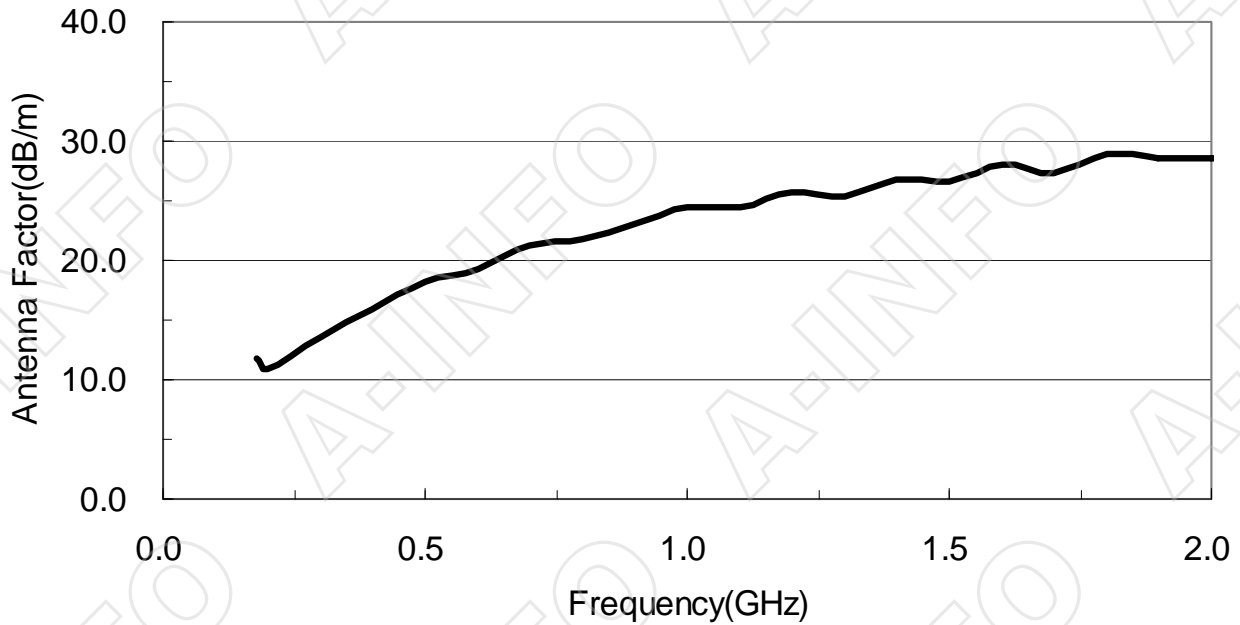


Test Results

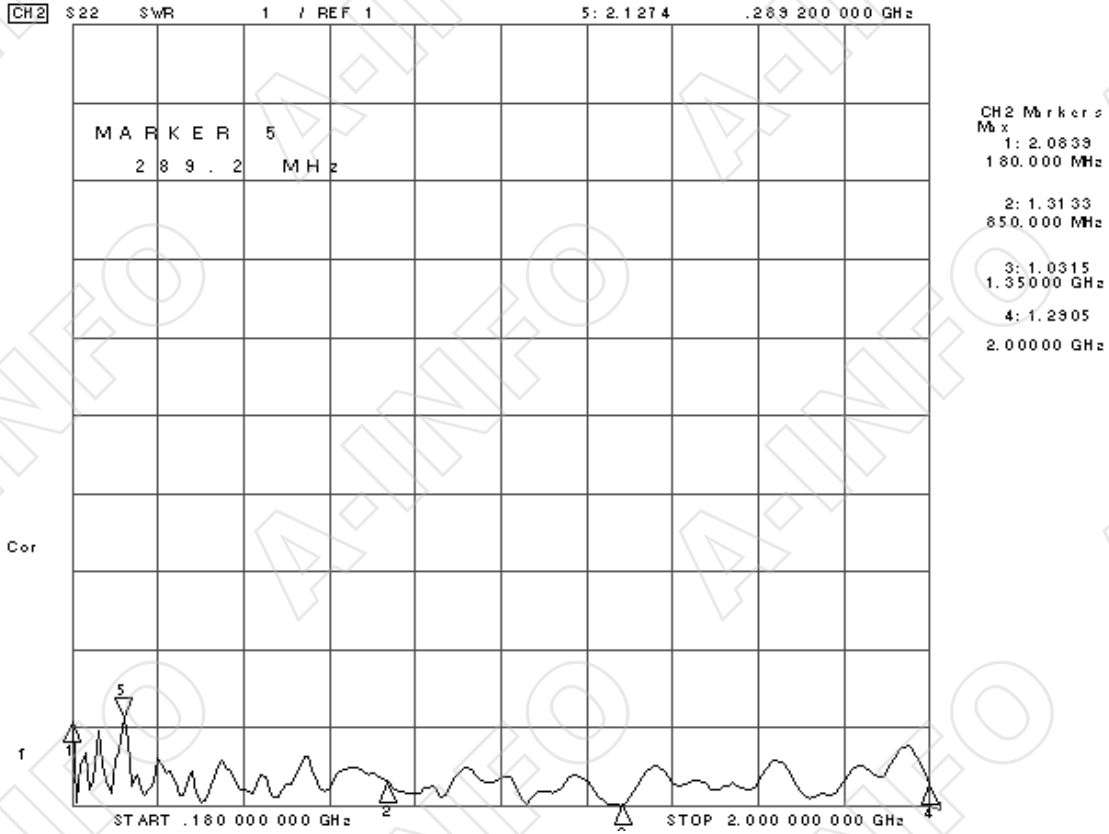
1. Gain



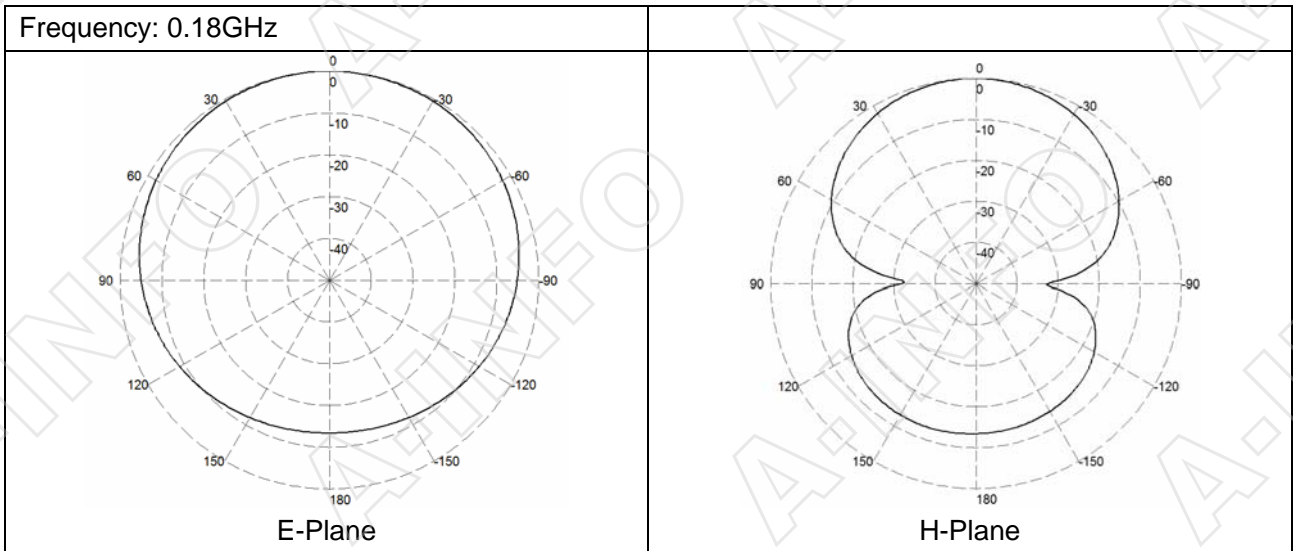
2. Antenna Factor



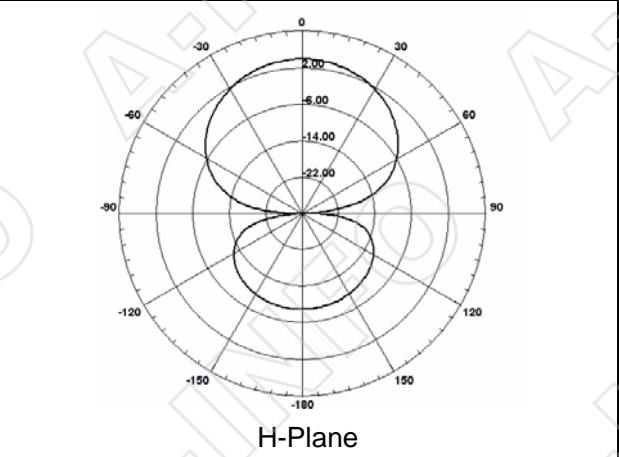
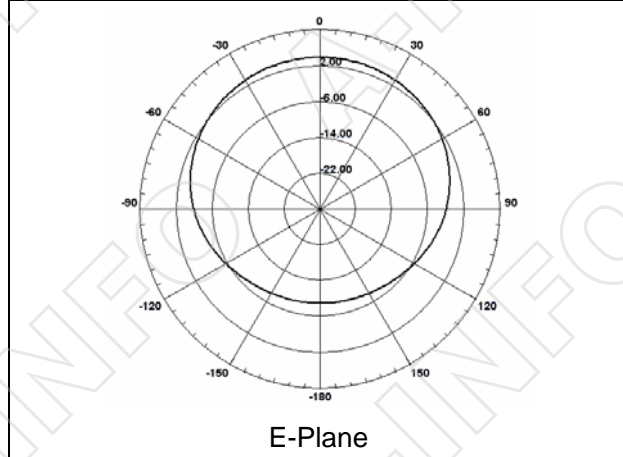
3. VSWR



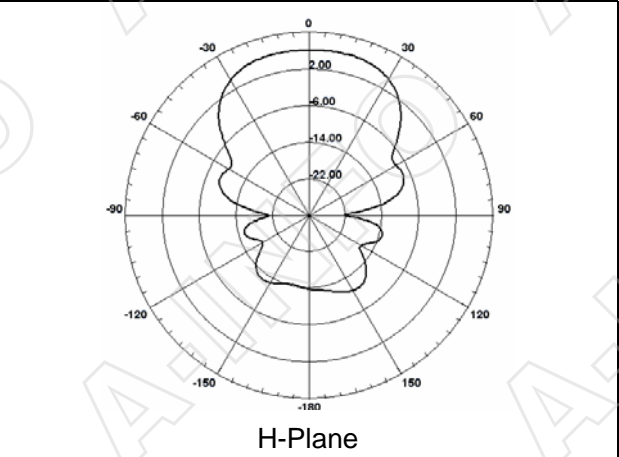
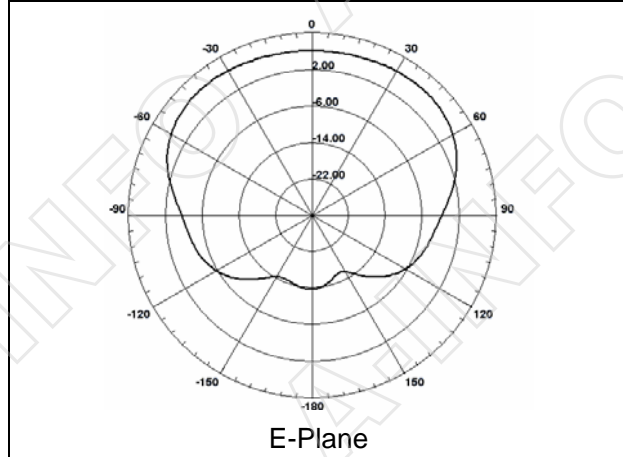
4. Pattern



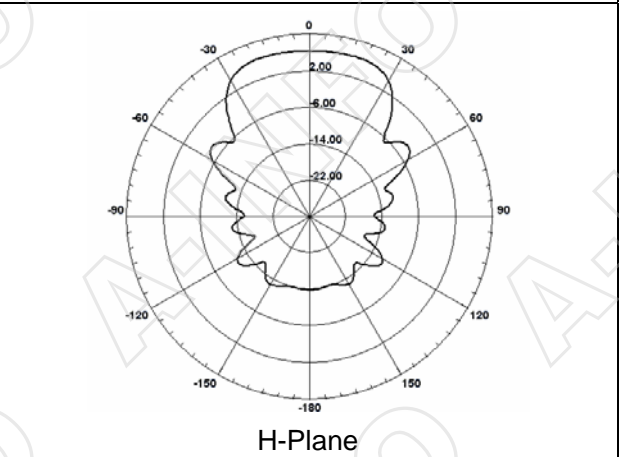
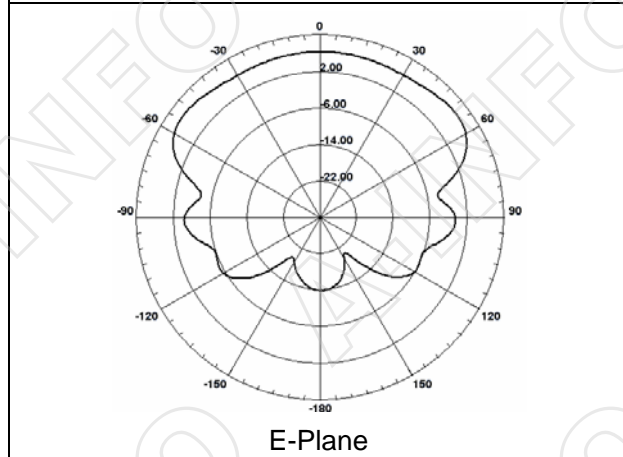
Frequency: 0.2GHz



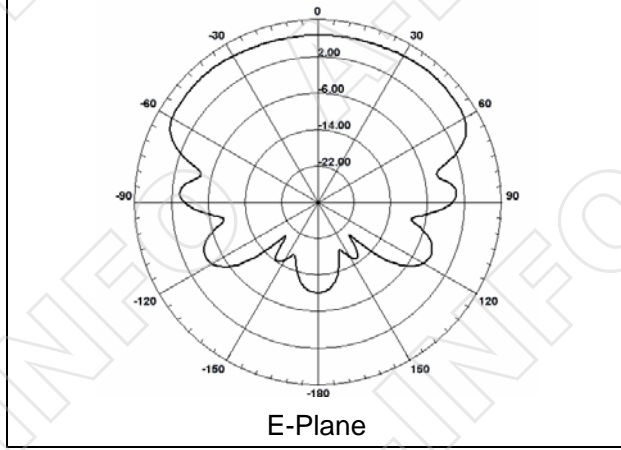
Frequency: 0.6GHz



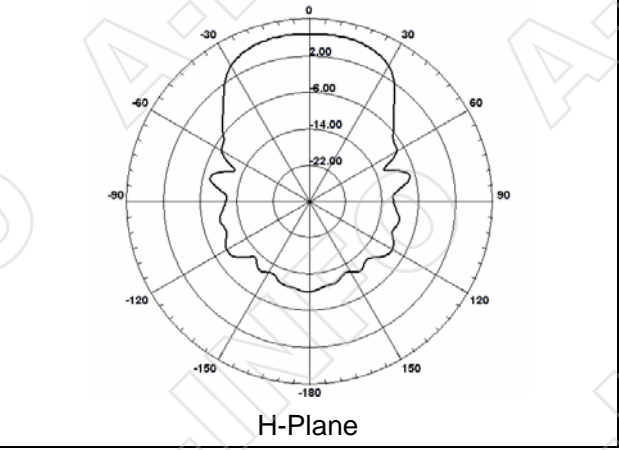
Frequency: 1.0GHz



Frequency: 1.5GHz

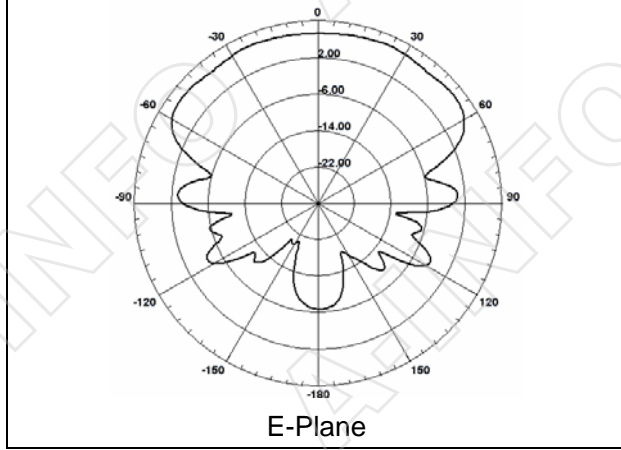


E-Plane

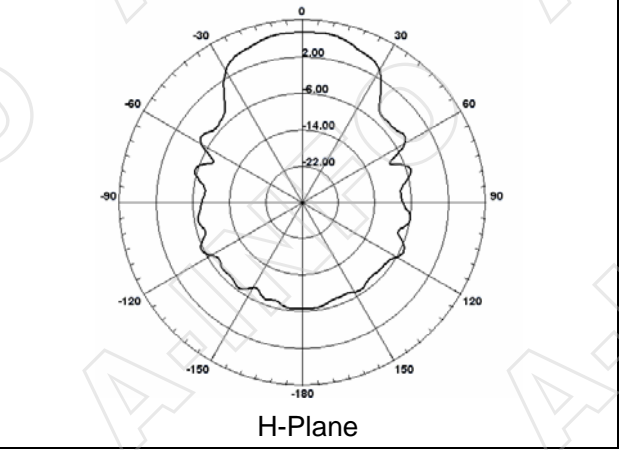


H-Plane

Frequency: 2.0GHz



E-Plane



H-Plane