

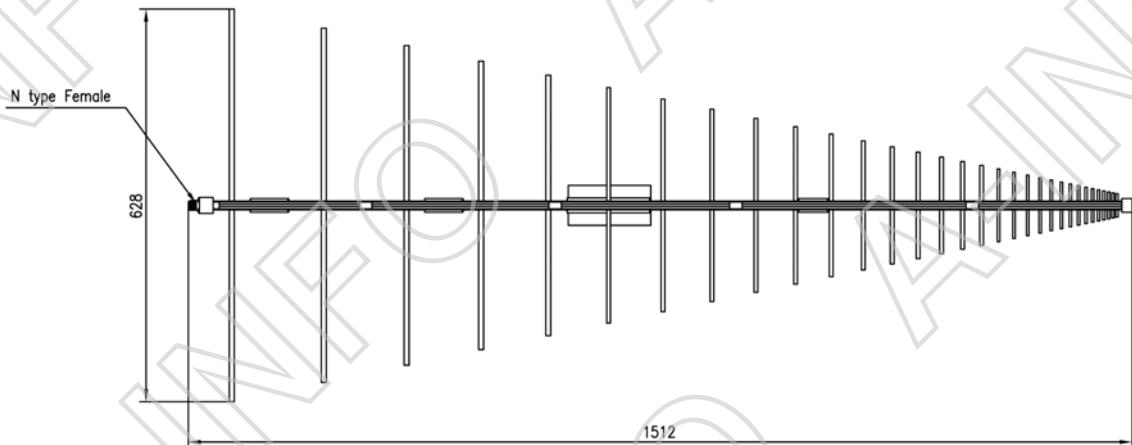
## Technical Specification



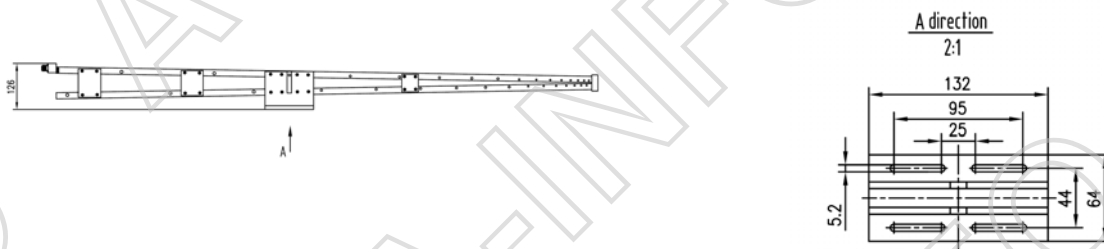
The picture is for reference only.

Frequency Range(GHz)	0.25 - 3.0
Gain(dB)	8.5 Typ.
Polarization	Linear
VSWR	2.0 Typ.
Connector	N-Female
Size(mm)	628 x 1512 x 126
Net Weight(Kg)	2.0 Around

## Outline Drawing (Size: mm)

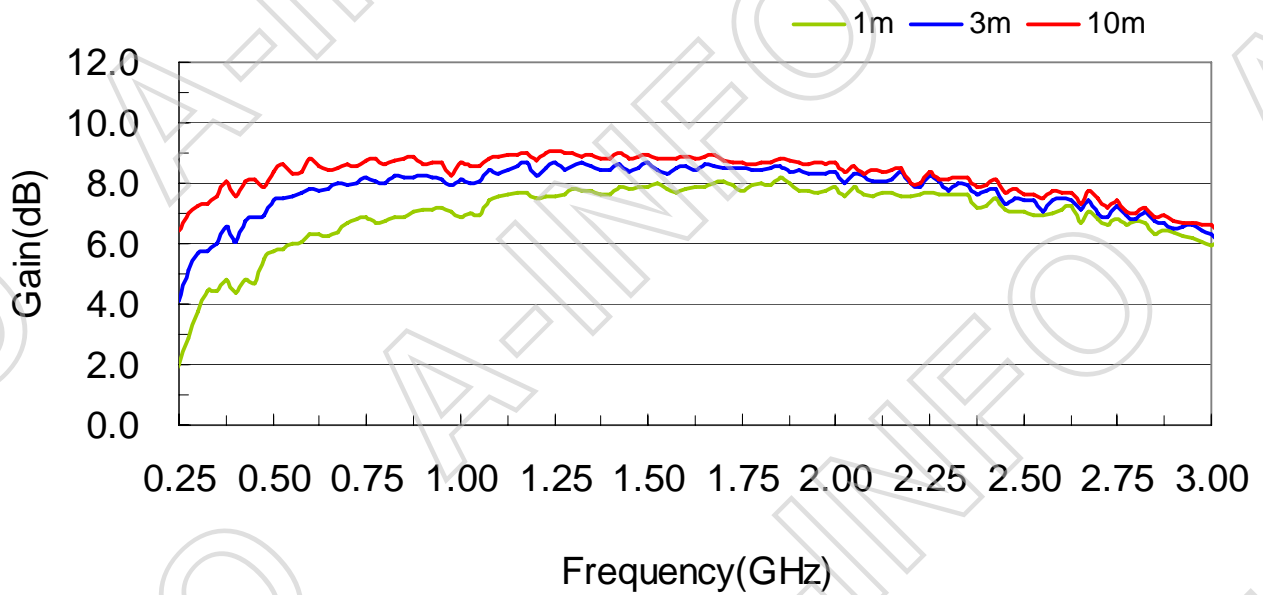


### Mounting Bracket

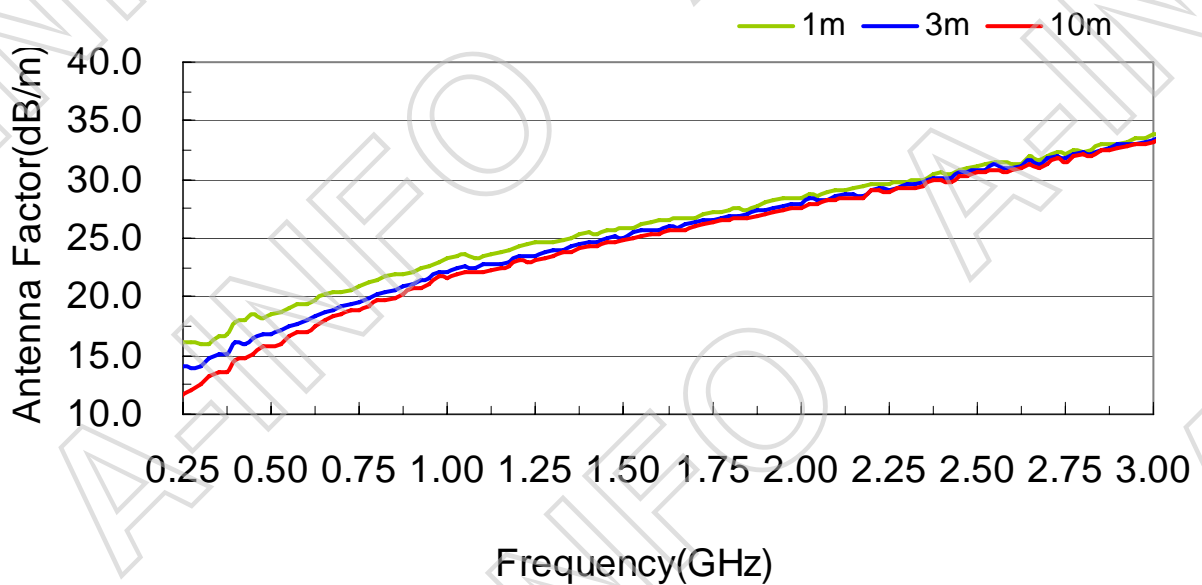


## Test Results

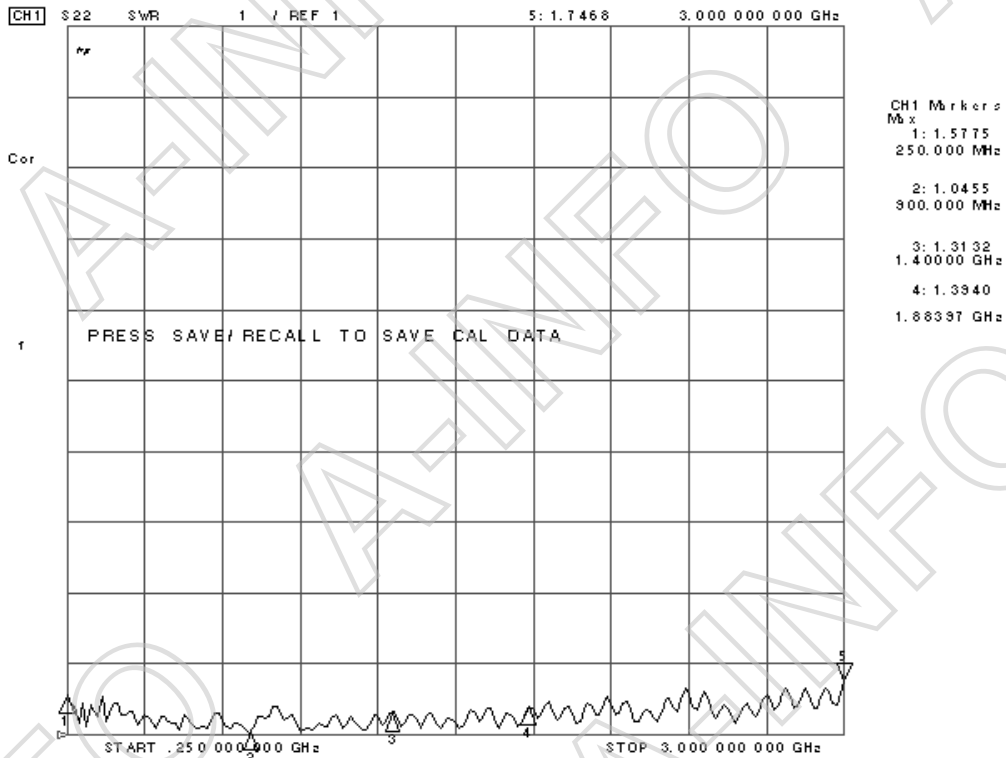
### 1. Gain



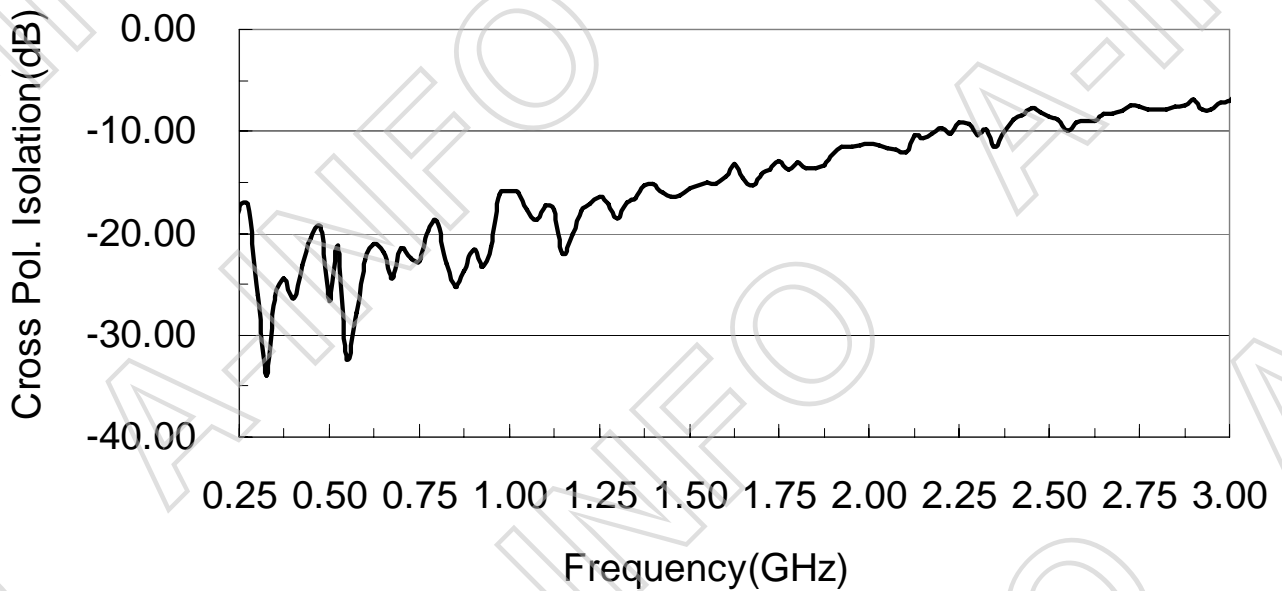
### 2. Antenna Factor



### 3. VSWR



### 4. Cross Polarization Isolation



## 5. Pattern

