

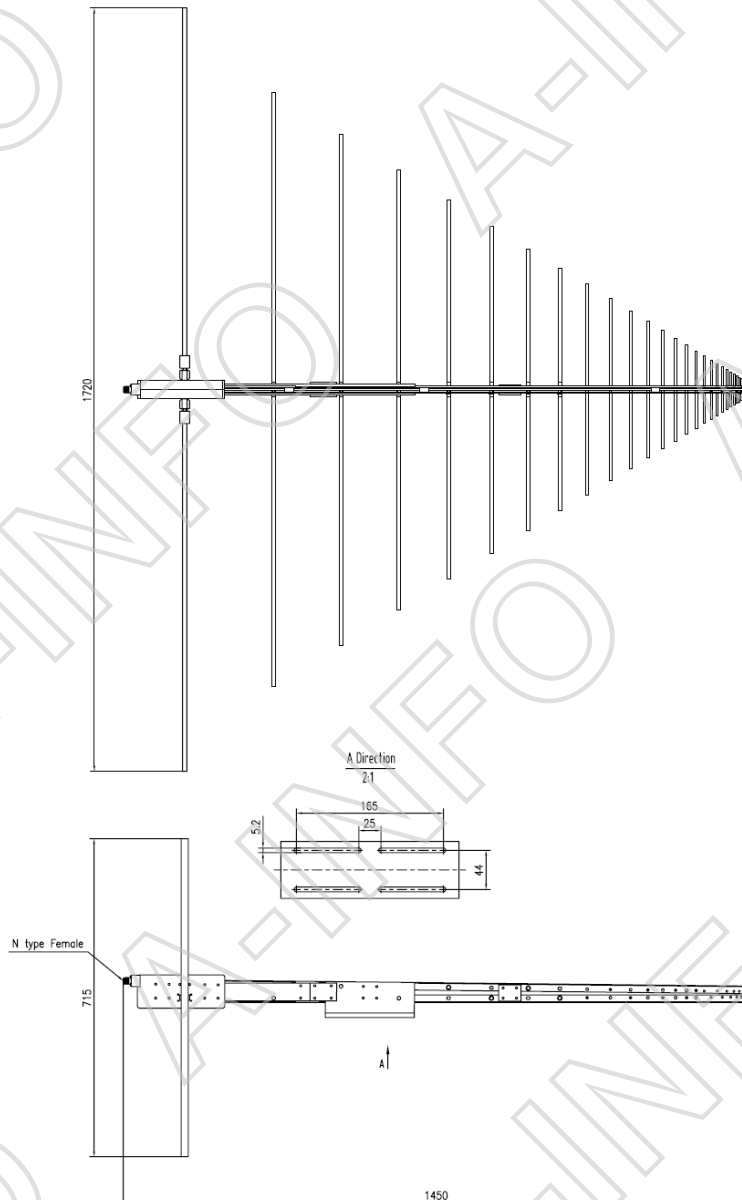
## Technical Specification



The picture is for reference only.

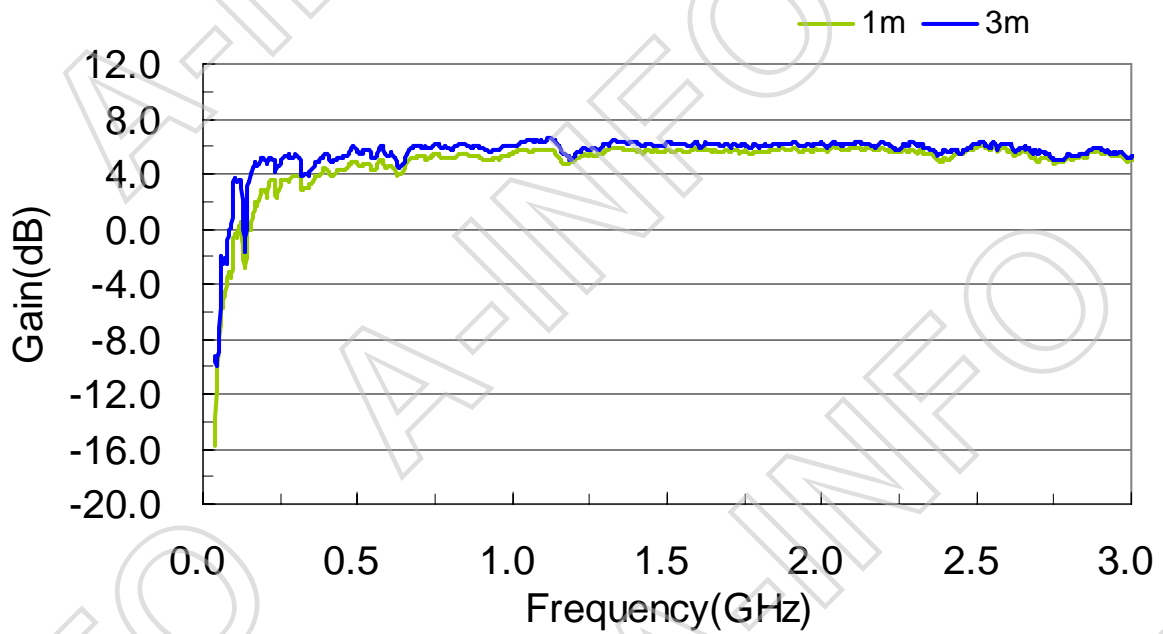
Frequency Range(GHz)	0.04 - 3.0
Gain(dB)	-10 - 6.0 Typ.
Polarization	Linear
VSWR	10.0 Typ.(40-50MHz)
	2.0 Typ.(50-100MHz)
	1.5 Typ./ 2.0 Max (100-3000MHz)
Connector	N-Female
Power handling(W)	300 CW
Size(mm)	1720 x 1450
Net Weight(Kg)	3.5 Around

## Outline Drawing (Size: mm)

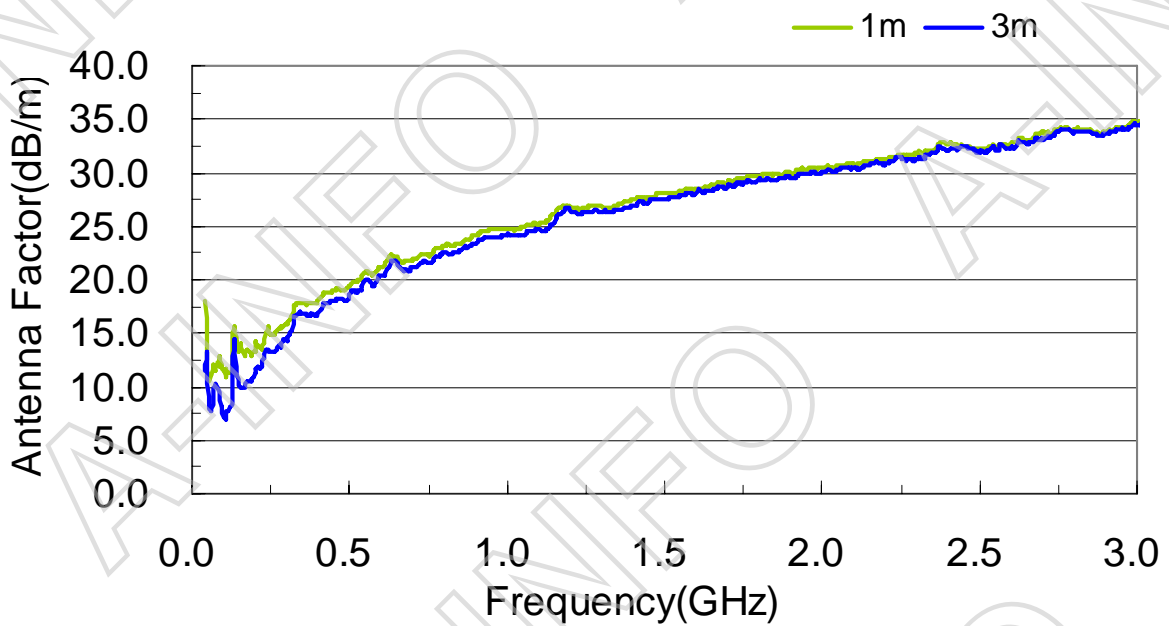


## Test Results

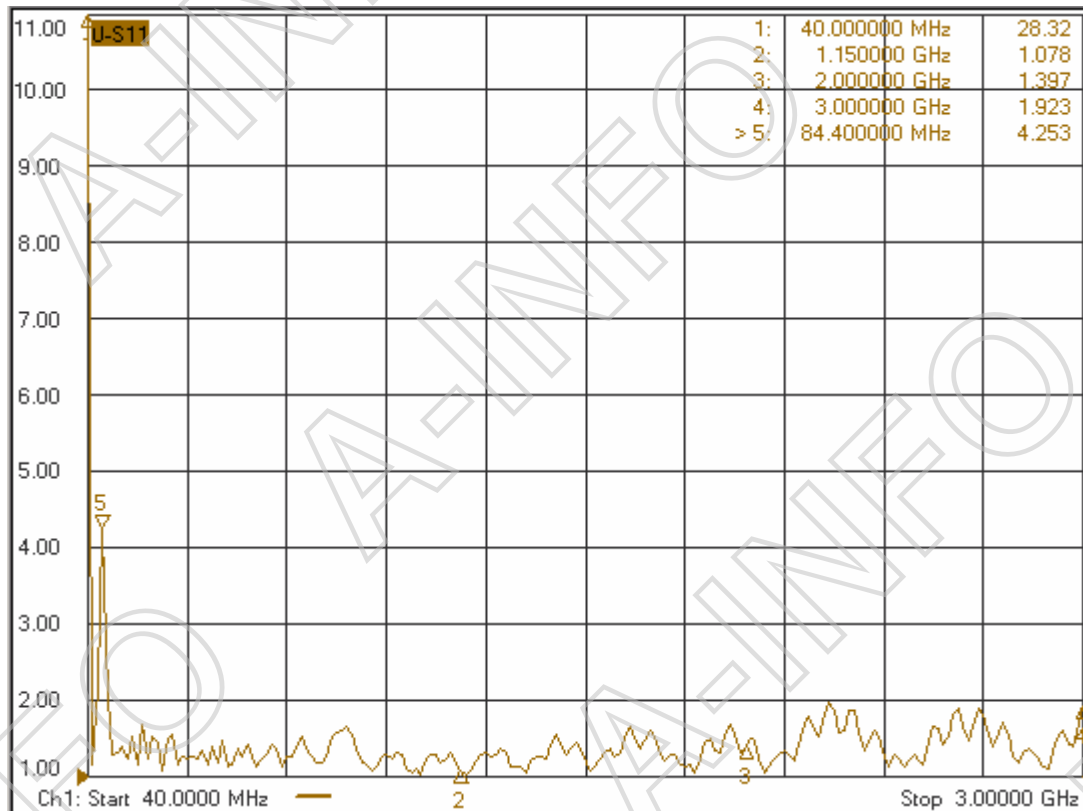
### 1. Gain



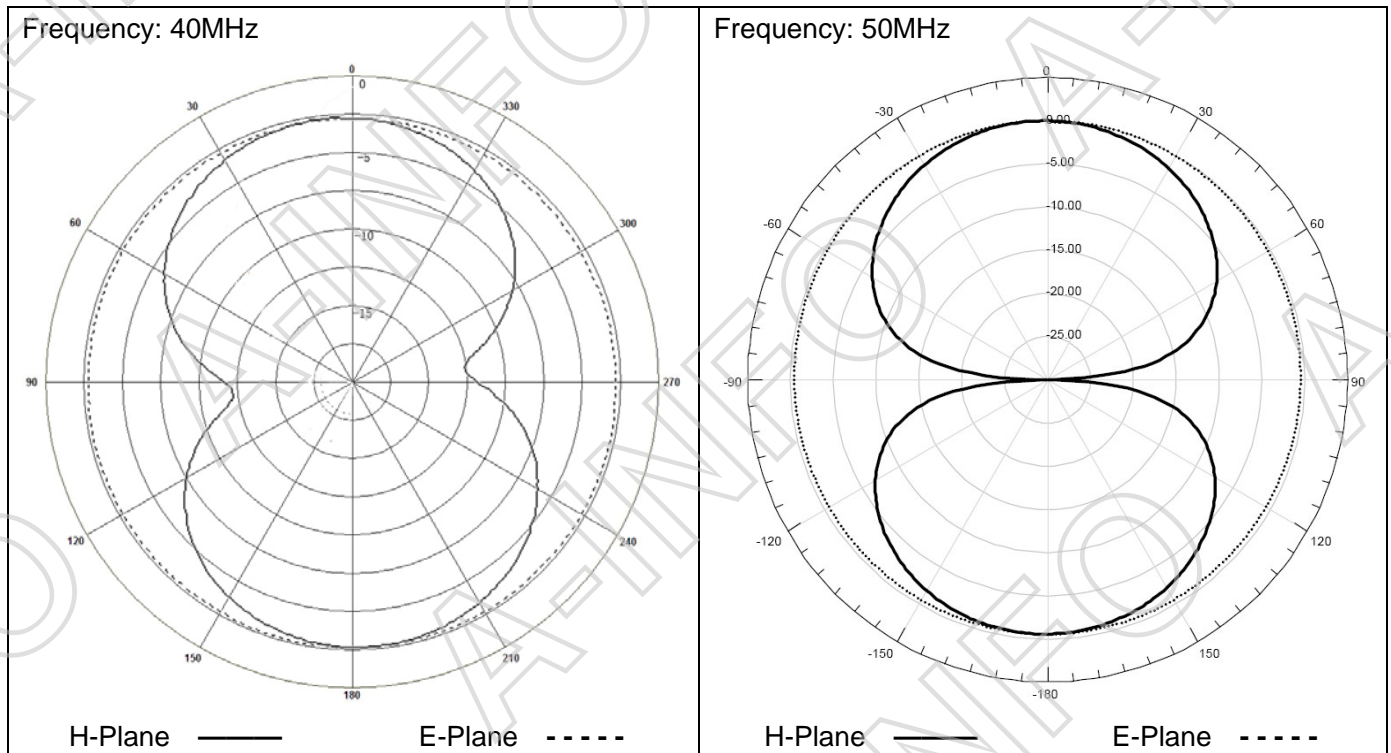
### 2. Antenna Factor



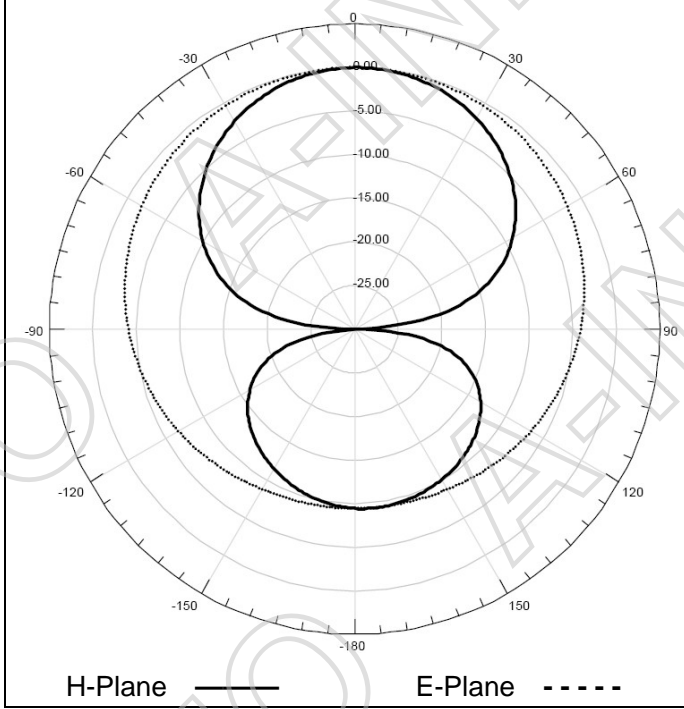
**3. VSWR (10.0 Typ. 40-50MHz, 2.0 Typ. 50-100MHz, 1.5 Typ. / 2.0 Max 100-2000MHz)**



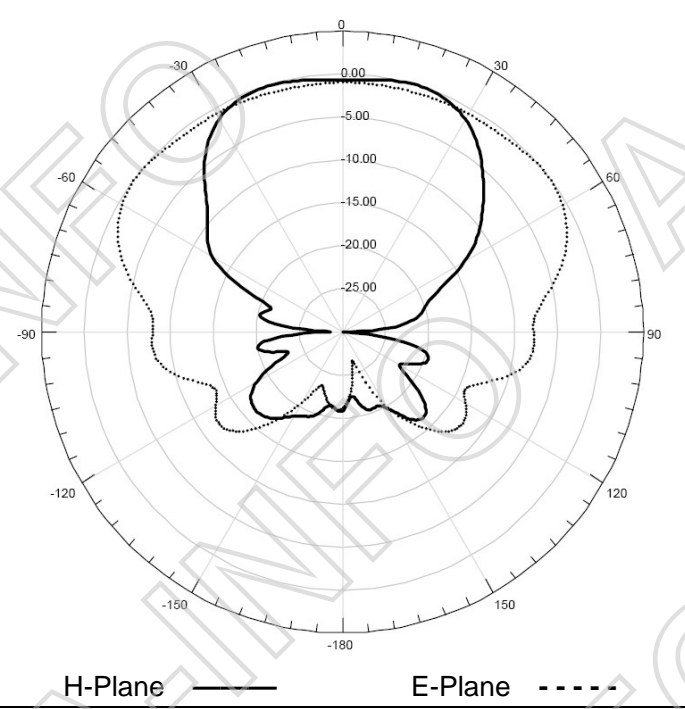
**4. Pattern**



Frequency: 100MHz



Frequency: 500MHz



Frequency: 1000MHz

