

90WPL WR90 Waveguide Precision Load 8.2-12.4GHz with Rectangular Waveguide Interface



WR90 Waveguide Precision Load Operating From 8.2 to 12.4GHz with Rectangular Waveguide Interface

Product Information

SKU	90WPL
-----	-------

Description

Waveguide precision load 90WPL, operating from 8.2 to 12.4GHz and low VSWR 1.015:1. 90WPL covers the 90WPL sub waveguide band and comes with one flange FBP100(UBR100). It can handle 4 continuously and 4 peak power. A-INFO Precision Flange(APF) is available for this series. The WPL series low power waveguide fixed terminations are precision, low VSWR terminations suited to a wide variety of precision laboratory applications. The typical applications include full band one-Interface calibration and full two-Interface, isolation calibration. TRM (Thru-Reflect-Match) and SSLT (Short-Short-Load- Thru) calibration methods are supInterfaceed.

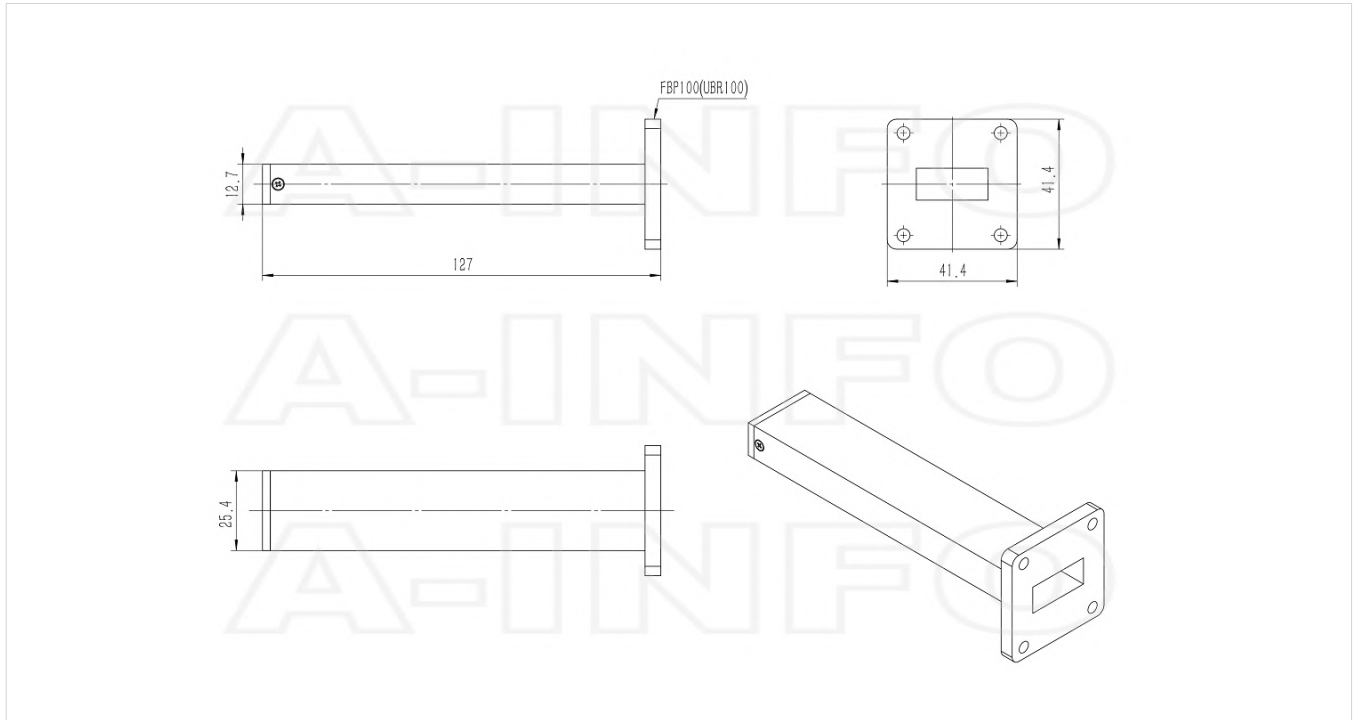
Technical Specification

Electrical Specification		Mechanical Specification	
WG Load Type	Precision	Body Material	Al
Waveguide Band	X Ku	Finish	Chemical Conversion Coating, Gray Paint
Waveguide Type	Rectangular	Size, L (mm)	127
Waveguide Size EIA WR	WR90	Size, W (mm)	41.4
Frequency, Min (GHz)	8.2	Size, H (mm)	41.4
Frequency, Max (GHz)	12.4	Weight, (kg)	0.2
VSWR, Typ	1.012	Pressure Sealed	No
VSWR, Max	1.015:1	Environmental Specification	
Power Handling, CW, (W)	4	Operating Temp. Low (°C)	-55
Power Handling, Peak, (KW)	4	Operating Temp. High (°C)	85
Interface		Storage Temp. Low (°C)	-60
Flange Style	Square	Storage Temp. High (°C)	90
Flange Type	Cover		
Flange Designation	FBP100(UBR100)		

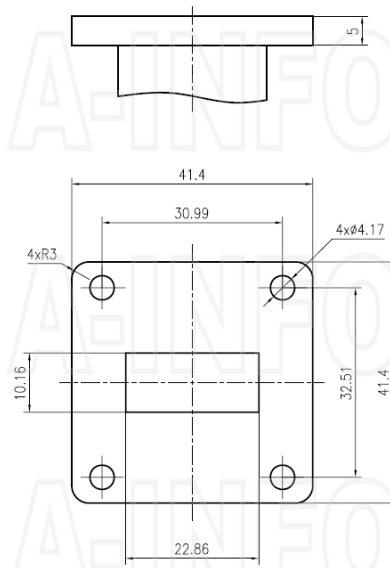
Additional Information

Application	General Purpose Indoor & Outdoor, Fixed
-------------	---

Outline Drawing



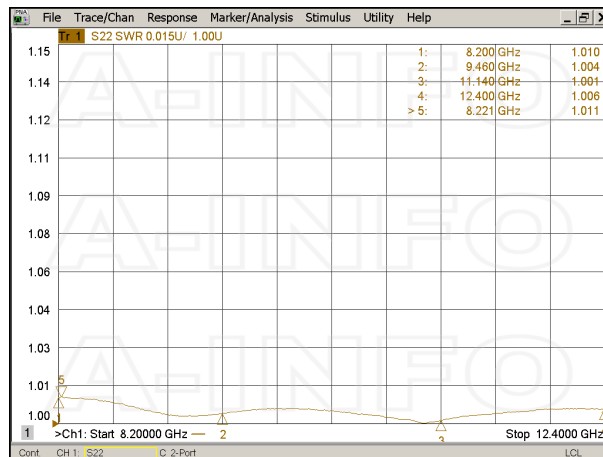
Flange Drawing



FBP100

Typical Test Results

VSWR



About this Datasheet

<ul style="list-style-type: none">● Product Information <p>Product Link: https://www.ainfoinc.com/90wpl-wr90-waveguide-precision-load-8-2-12-4-ghz-fbp100-ubr100 Data subject to change without notice. © A-INFO INC. 2024. All Rights Reserved</p>	<ul style="list-style-type: none">● Contact Us <p>Address: 60 Tesla, Irvine, CA 92618, USA</p> <p>Website: www.ainfoinc.com</p> <p>Email: sales@ainfoinc.com</p>	<ul style="list-style-type: none">● Phone & Fax <p>Phone: +1-949-639-9688 +1-949-639-9608</p> <p>Fax: +1-949-639-9670</p>
--	---	--