

90WPL\_PB WR90 Waveguide Precision Load 8.2-12.4GHz with Rectangular Waveguide Interface



WR90 Waveguide Precision Load Operating From 8.2 to 12.4GHz with Rectangular Waveguide Interface

### Product Information

SKU	90WPL_PB
-----	----------

### Description

Waveguide precision load 90WPL\_PB, operating from 8.2 to 12.4GHz and low VSWR 1.015:1. 90WPL\_PB covers the 90WPL\_PB sub waveguide band and comes with one flange APF90B. It can handle 4 continuously and 4 peak power. A-INFO Precision Flange(APF) is available for this series. The WPL series low power waveguide fixed terminations are precision, low VSWR terminations suited to a wide variety of precision laboratory applications. The typical applications include full band one-Interface calibration and full two-Interface, isolation calibration. TRM (Thru-Reflect-Match) and SSLT (Short-Short-Load- Thru) calibration methods are supInterfaceed.

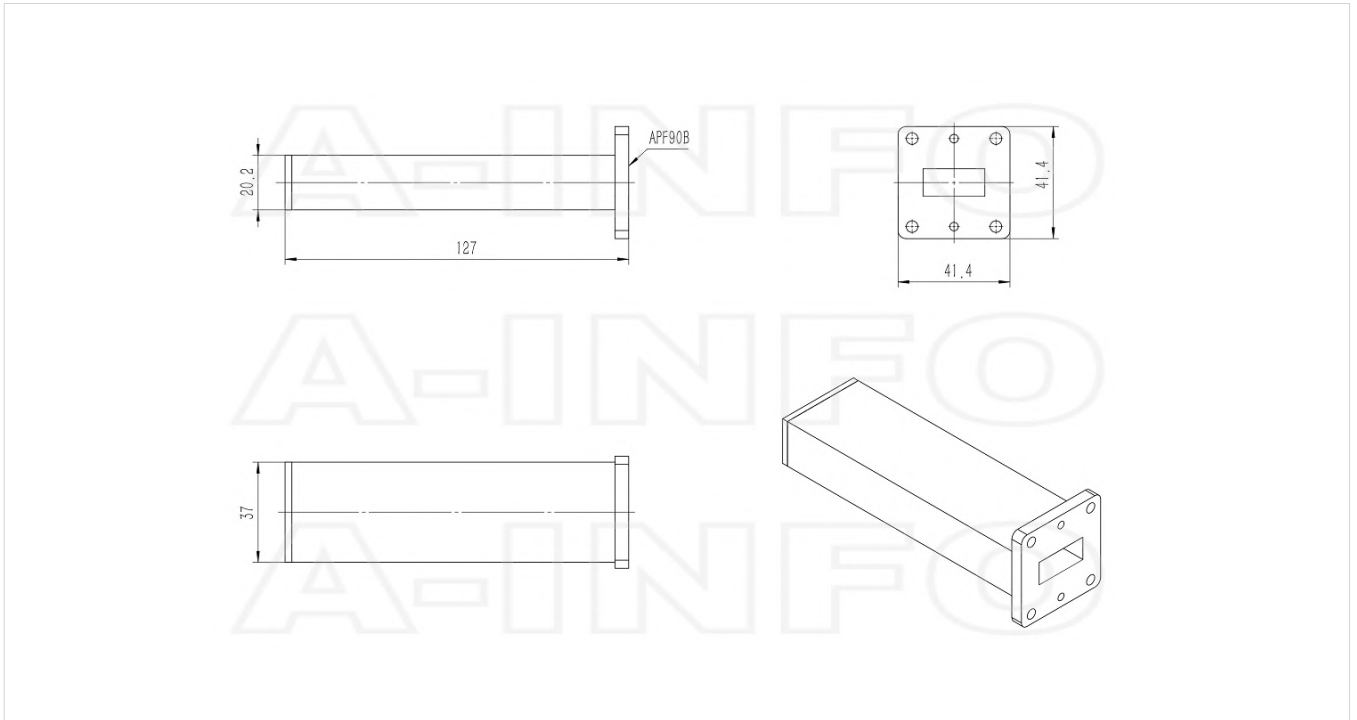
### Technical Specification

Electrical Specification		Mechanical Specification	
WG Load Type	Precision	Body Material	Al
Waveguide Band	X Ku	Finish	Chemical Conversion Coating, Gray Paint
Waveguide Type	Rectangular	Size, L (mm)	127
Waveguide Size EIA WR	WR90	Size, W (mm)	41.4
Frequency, Min (GHz)	8.2	Size, H (mm)	41.4
Frequency, Max (GHz)	12.4	Weight, (kg)	0.21
VSWR, Typ	1.012	Pressure Sealed	No
VSWR, Max	1.015:1	Environmental Specification	
Power Handling, CW, (W)	4	Operating Temp. Low (°C)	-55
Power Handling, Peak, (KW)	4	Operating Temp. High (°C)	85
Interface		Storage Temp. Low (°C)	-60
Flange Style	Square	Storage Temp. High (°C)	90
Flange Type	Cover		
Flange Designation	APF90B		

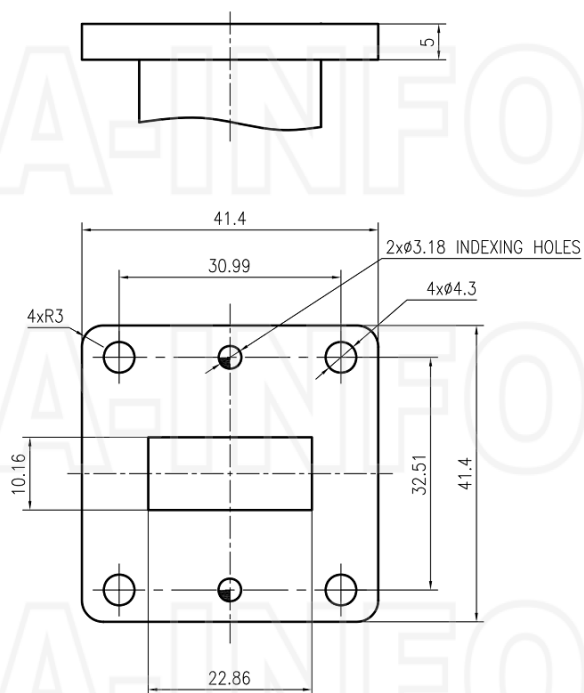
## Additional Information

Application	General Purpose Indoor & Outdoor, Fixed
-------------	---

## Outline Drawing



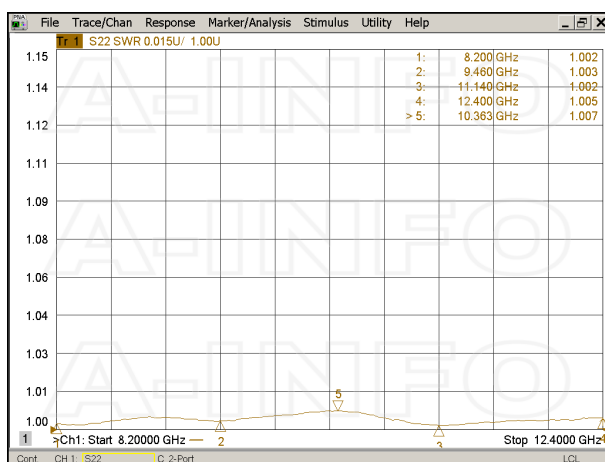
## Flange Drawing



APF90B

## Typical Test Results

### VSWR



### About this Datasheet

<ul style="list-style-type: none"><li>● <b>Product Information</b> Product Link: <a href="https://www.ainfoinc.com/90wpl-pb-wr90-waveguide-precision-load-8-2-12-4-ghz-apf90b">https://www.ainfoinc.com/90wpl-pb-wr90-waveguide-precision-load-8-2-12-4-ghz-apf90b</a> Data subject to change without notice. © A-INFO INC. 2024. All Rights Reserved</li></ul>	<ul style="list-style-type: none"><li>● <b>Contact Us</b> Address: 60 Tesla, Irvine, CA 92618, USA  Website: <a href="http://www.ainfoinc.com">www.ainfoinc.com</a>  Email: <a href="mailto:sales@ainfoinc.com">sales@ainfoinc.com</a></li></ul>	<ul style="list-style-type: none"><li>● <b>Phone &amp; Fax</b> Phone: +1-949-639-9688 +1-949-639-9608  Fax: +1-949-639-9670</li></ul>
---	--	---