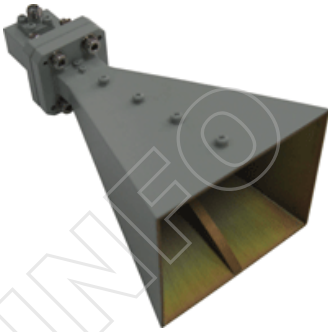
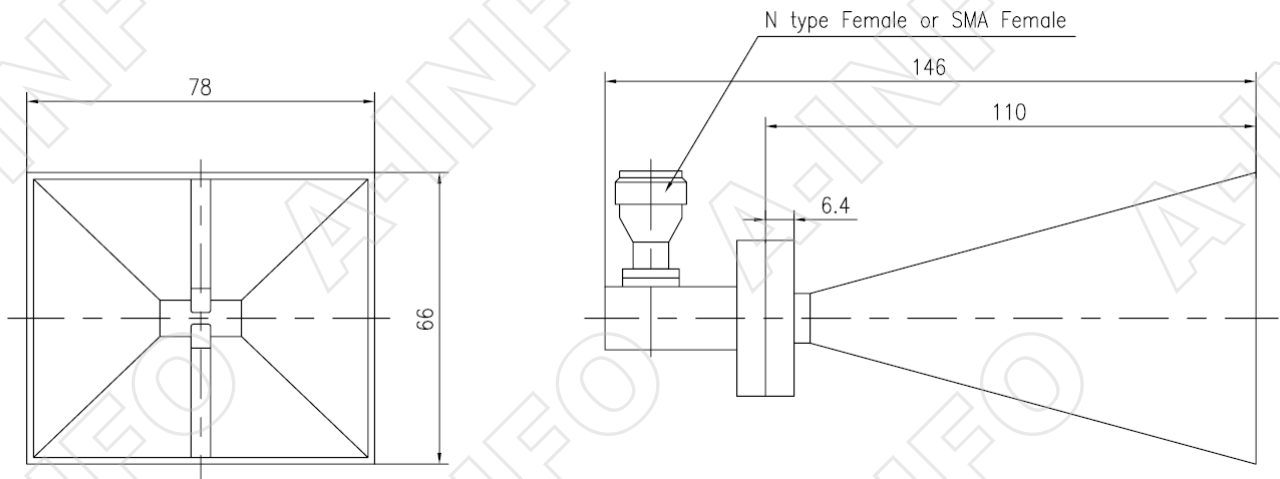


Technical Specification



Frequency Range (GHz)	6.5 - 18.0
Gain(dB)	15 Typ.
Polarization	Linear
VSWR	2.0 Max
Cross Polarization Isolation(dB)	-20 Max
Waveguide(A Type)	WRD650D28
Adapter(C Type)	650DRWCAS or 650DRWCAN
Connector(C Type)	SMA-F or N-F
Size	78x66x146 (Including Adapter)
Net Weight(Kg)	0.35 Around (Including Adapter)

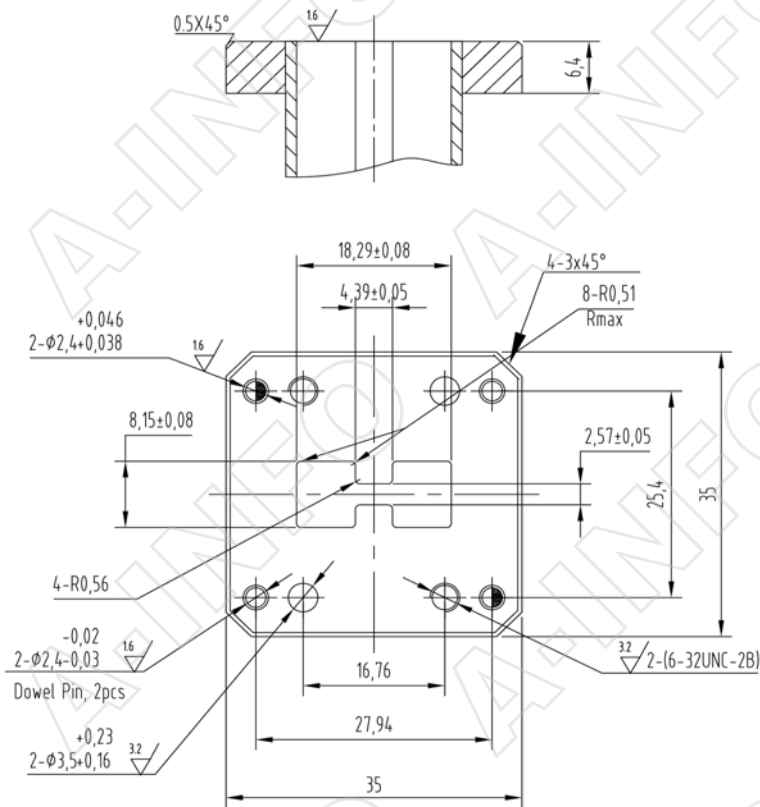
Outline Drawing (Size: mm) Including Adapter



Flange Drawing (Size: mm)

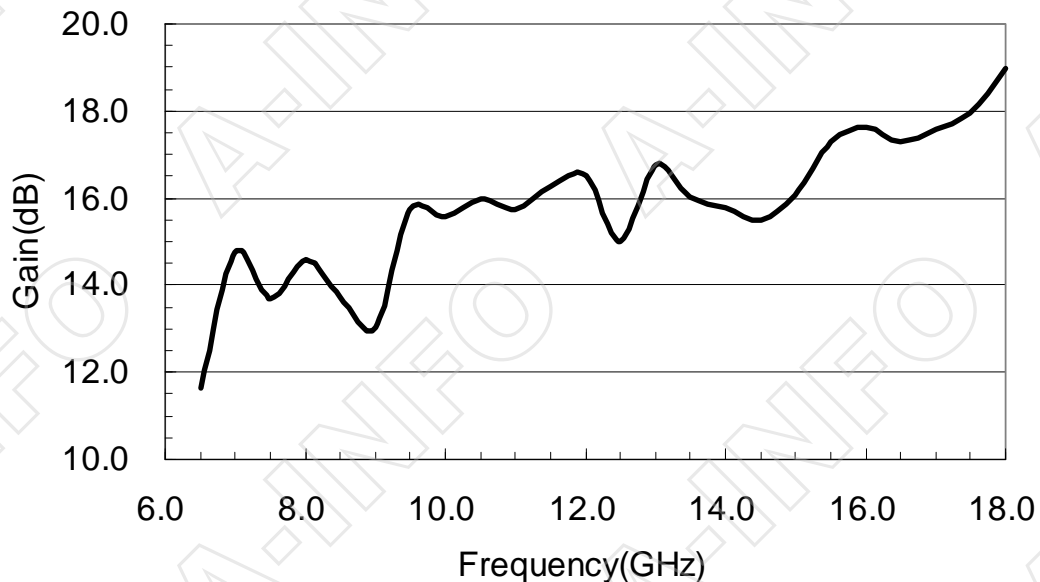
FPWRD650D28

(With two through mounting holes
and two screws holes)

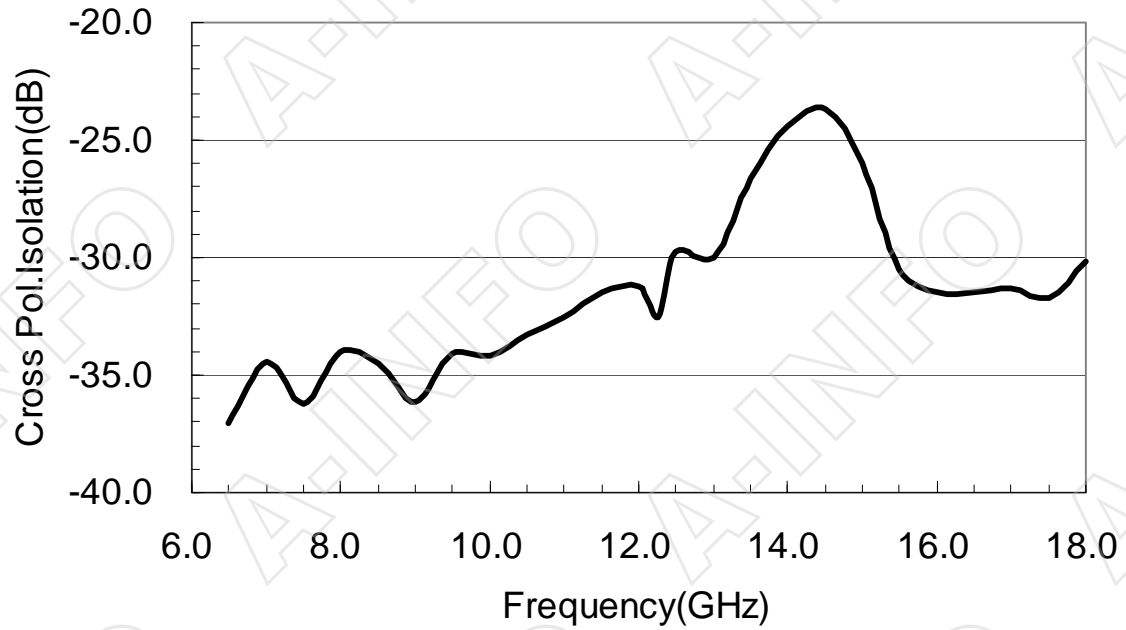


Test Results

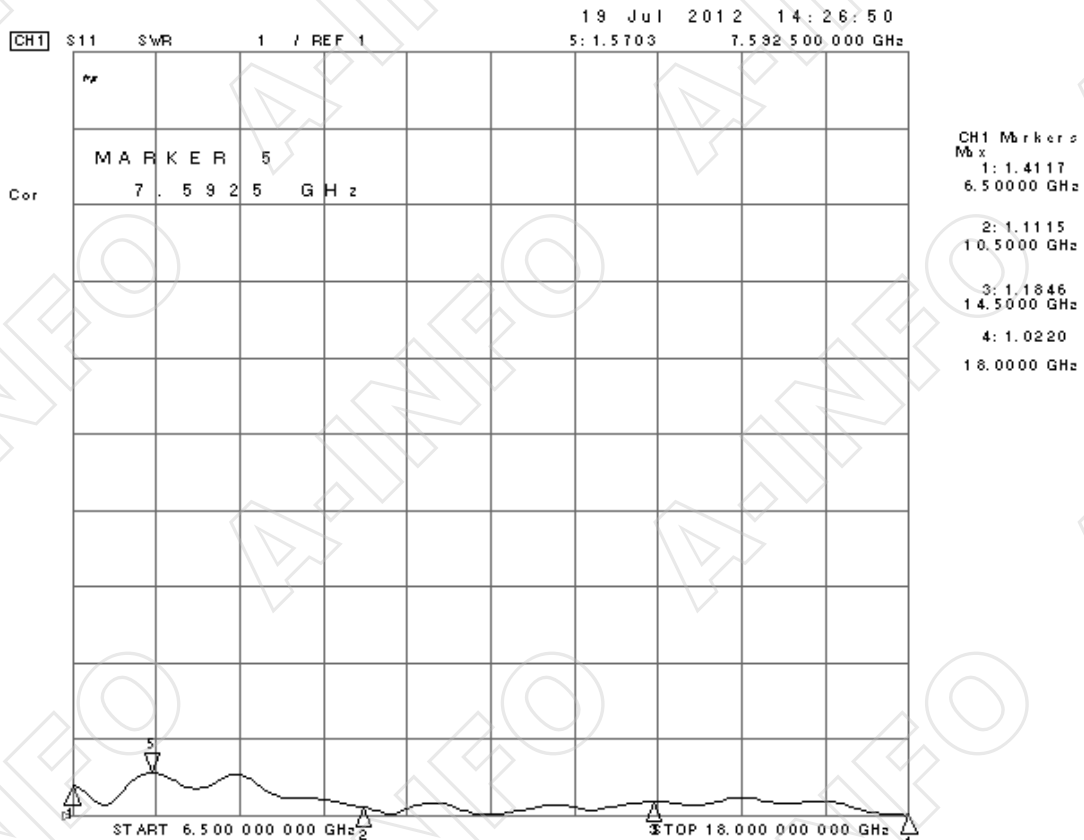
1. Gain



2. Cross Polarization Isolation



3. VSWR



4. Pattern

