



650DRWMT WRD650 Waveguide Magic Tee 6.5-18GHz with Four Rectangular Waveguide Interfaces

WRD650 Waveguide Magic Tee Operating From 6.5 to 18GHz with Four Rectangular Waveguide Interfaces

Product Information

SKU	650DRWMT
-----	----------

Description

Waveguide magic tee 650DRWMT, operating from 6.5 to 18GHz with a 0.8dB insertion loss, 30dB isolation, H-Plane VSWR 1.50:1 and E-Plane VSWR 1.50:1. 650DRWMT is a four-ports hybrid coupler or power divider. All the ports have standard WRD650 waveguides with the same flanges FPWRD650D28. The magic tee can be used as a power combiner or a power divider based on the given application's needs.

Technical Specification

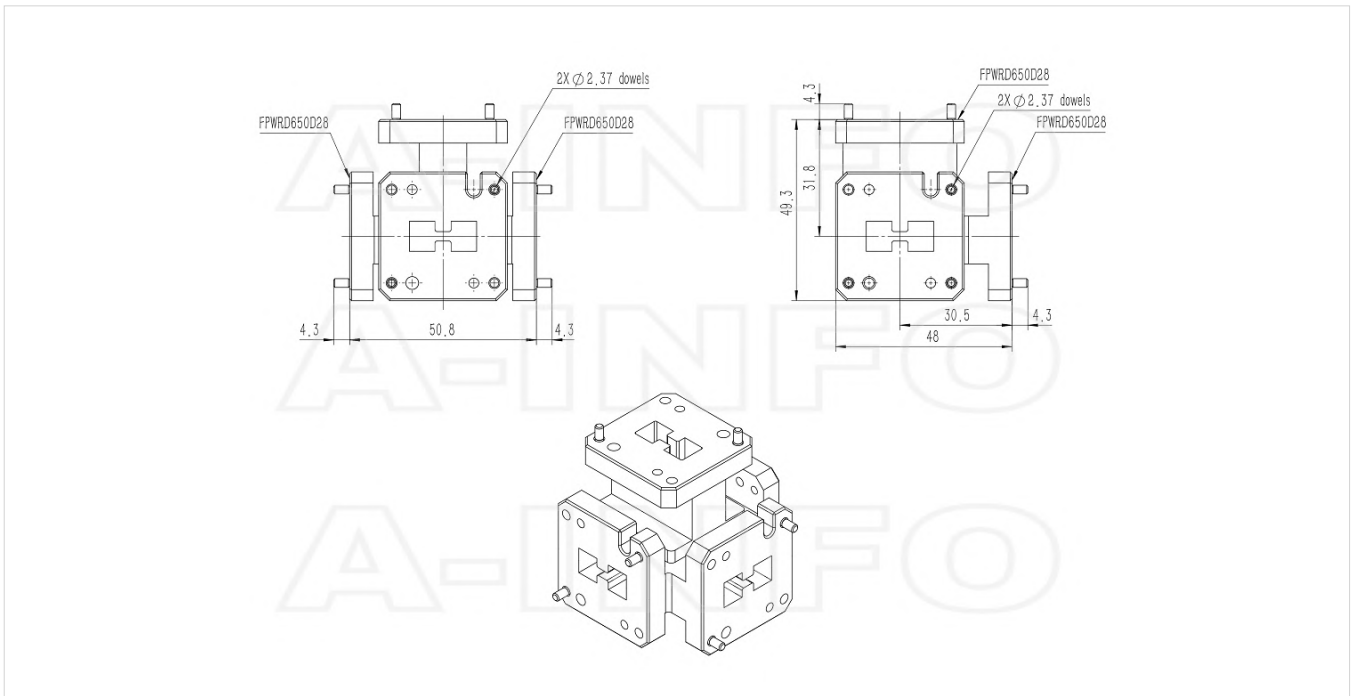
Electrical Specification	
WG Tee Type	Magic Tee
Waveguide Band	S
Waveguide Type	Double Ridge
Waveguide Size EIA WRD	WRD650
Frequency, Min (GHz)	6.5
Frequency, Max (GHz)	18
I.L., Max (dB)	0.8
VSWR, H-Plane, Typ	1.5
VSWR, H-Plane, Typ	1.50:1
VSWR, E-Plane, Typ	1.5
VSWR, E-Plane, Typ	1.50:1
Isolation, Min (dB)	30
Amplitude Balance, Max (±dB)	0.4
Power Handling, CW, (W)	500
Interface	
Flange 1 Style	Square
Flange 1 Type	Cover
Flange1 Designation	FPWRD650D28
Flange 2 Style	Square
Flange 2 Type	Cover
Flange2 Designation	FPWRD650D28

Interface	
Flange 3 Style	Square
Flange 3 Type	Cover
Flange3 Designation	FPWRD650D28
Flange 4 Style	Square
Flange 4 Type	Cover
Flange4 Designation	FPWRD650D28
Mechanical Specification	
Body Material	Al
Finish	Chemical Conversion Coating, Gray Paint
Size, L (mm)	50.8
Size, W (mm)	48
Size, H (mm)	49.3
Weight, (kg)	0.15
Pressure Sealed	No
Environmental Specification	
Operating Temp. Low (°C)	-55
Operating Temp. High (°C)	85
Storage Temp. Low (°C)	-60
Storage Temp. High (°C)	90

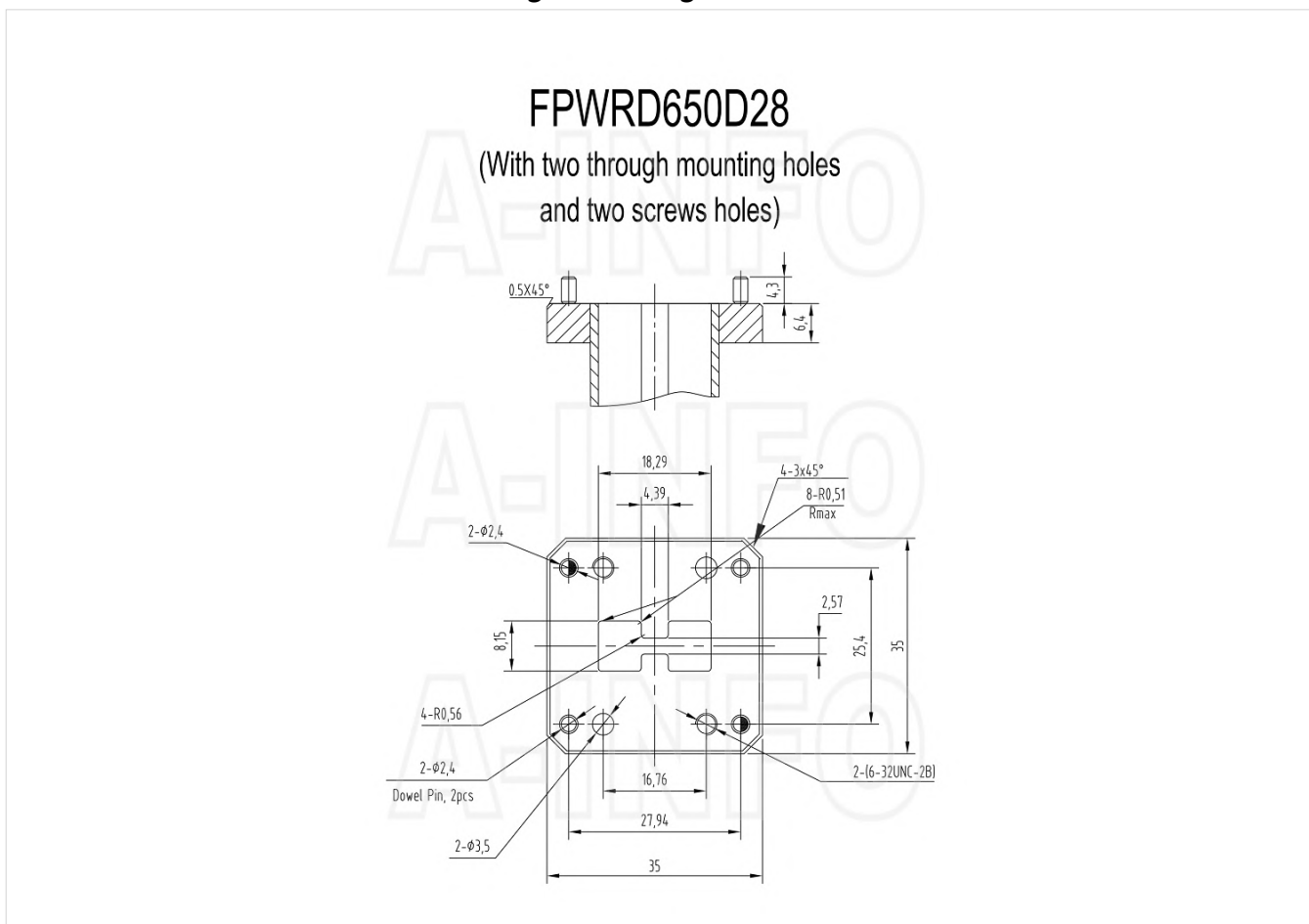
Additional Information

Application	General Purpose Indoor & Outdoor, Fixed
-------------	---

Outline Drawing(Size: mm)



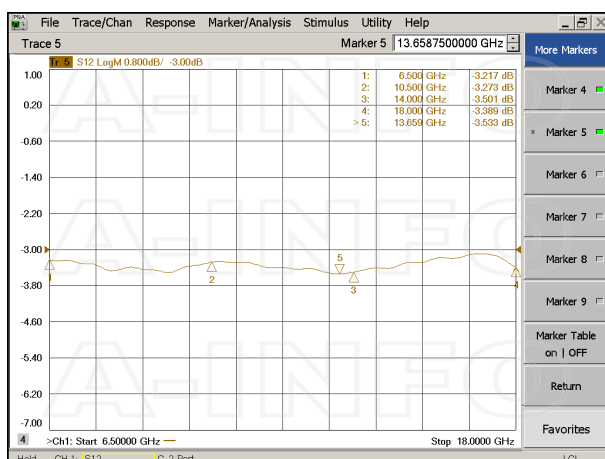
Flange Drawing(Size: mm)



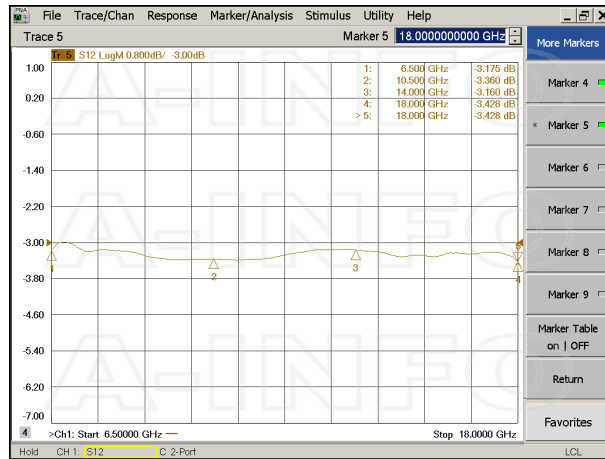
Typical Test Results

Insertion Loss(Including the theoretical loss 3.0dB)

E-Plane

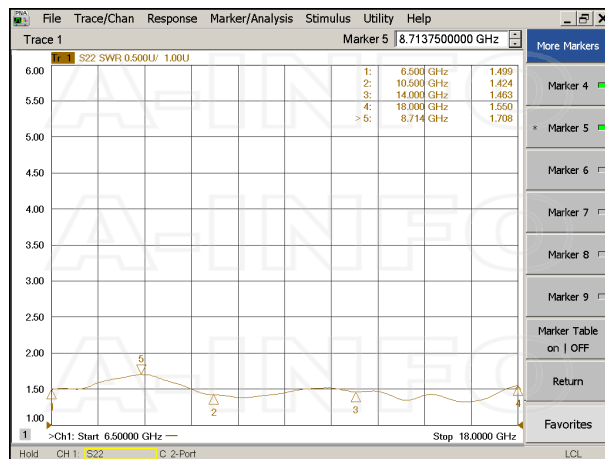


H-Plane

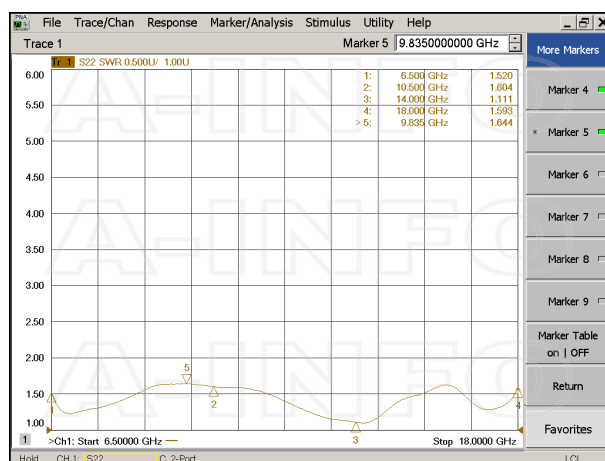


VSWR

E-Plane

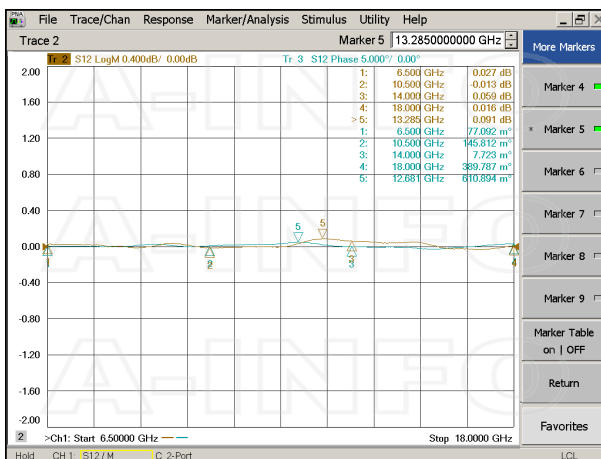


H-Plane

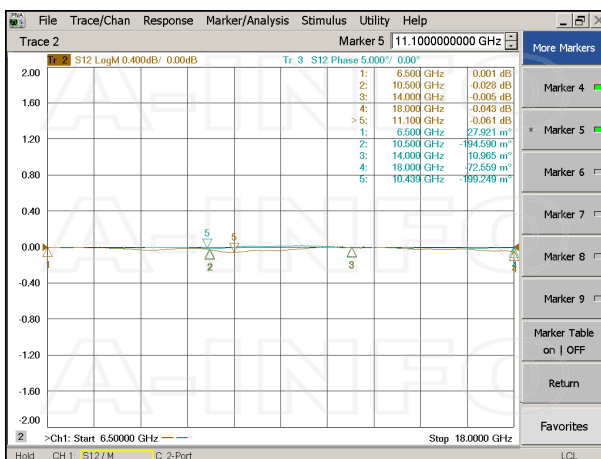


Unbalance

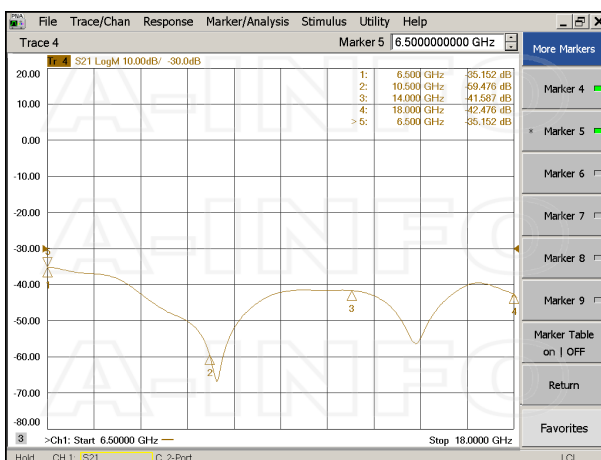
E-Plane



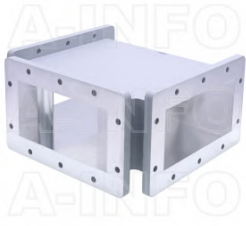
H-Plane



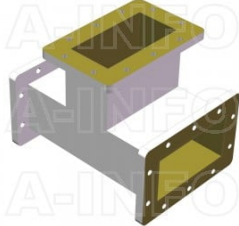
Isolation



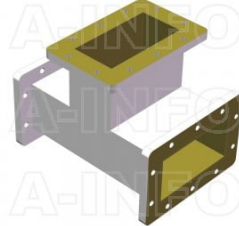
Similar Products



650WHT WR650 Waveguide H-Plane Tee 1.12-1.7GHz with Three Rectangular Waveguide Interfaces



650WET WR650 Waveguide E-Plane Tee 1.12-1.7GHz with Three Rectangular Waveguide Interfaces



510WET WR510 Waveguide E-Plane Tee 1.45-2.2GHz with Three Rectangular Waveguide Interfaces



510WHT WR510 Waveguide H-Plane Tee 1.45-2.2GHz with Three Rectangular Waveguide Interfaces

About this Datasheet

<ul style="list-style-type: none"> ● Product Information Product Link: https://www.ainfoinc.com/650drwmt-wrd650-waveguide-magic-tee-6-5-18ghz-fpwr650d28 Data subject to change without notice. © A-INFO INC. 2024. All Rights Reserved 	<ul style="list-style-type: none"> ● Contact Us Address: 60 Tesla, Irvine, CA 92618, USA Website: www.ainfoinc.com Email: sales@ainfoinc.com 	<ul style="list-style-type: none"> ● Phone & Fax Phone: +1-949-639-9688 +1-949-639-9608 Fax: +1-949-639-9670
---	--	---