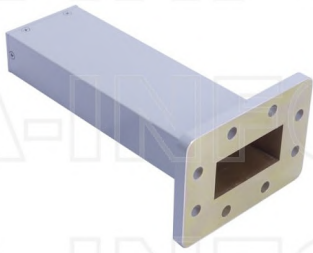


187WPL WR187 Waveguide Precision Load 3.95-5.85GHz with Rectangular Waveguide Interface

WR187 Waveguide Precision Load Operating From 3.95 to 5.85GHz with Rectangular Waveguide Interface



Product Information

SKU	187WPL
-----	--------

Description

Waveguide precision load 187WPL, operating from 3.95 to 5.85GHz and low VSWR 1.02:1. 187WPL covers the 187WPL sub waveguide band and comes with one flange FDP48(UDR48). It can handle 8 continuously and 8 peak power. A-INFO Precision Flange(APF) is available for this series. The WPL series low power waveguide fixed terminations are precision, low VSWR terminations suited to a wide variety of precision laboratory applications. The typical applications include full band one-Interface calibration and full two-Interface, isolation calibration. TRM (Thru-Reflect-Match) and SSLT (Short-Short-Load- Thru) calibration methods are supInterfaceed.

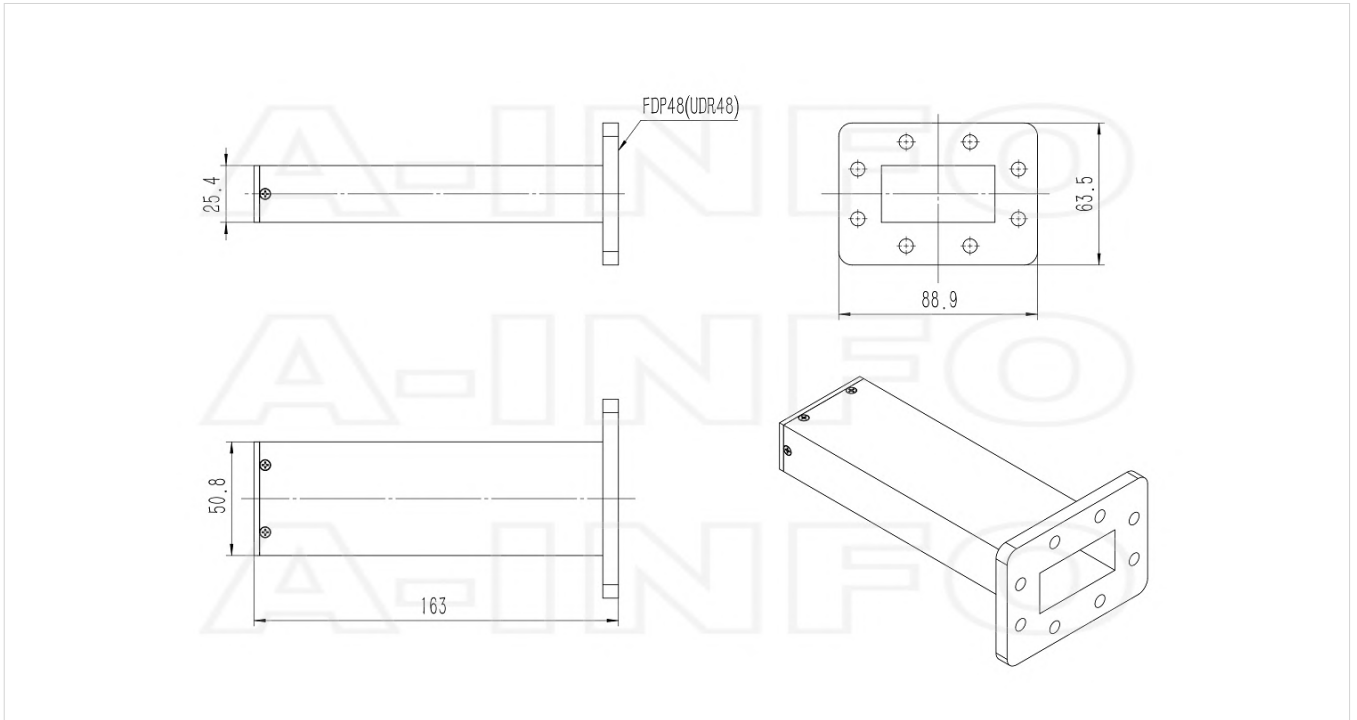
Technical Specification

Electrical Specification		Mechanical Specification	
WG Load Type	Precision	Body Material	Al
Waveguide Band	S C	Finish	Chemical Conversion Coating, Gray Paint
Waveguide Type	Rectangular	Size, L (mm)	163
Waveguide Size EIA WR	WR187	Size, W (mm)	88.9
Frequency, Min (GHz)	3.95	Size, H (mm)	63.5
Frequency, Max (GHz)	5.85	Weight, (kg)	0.3
VSWR, Typ	1.015:1	Pressure Sealed	No
VSWR, Max	1.02:1	Environmental Specification	
Power Handling, CW, (W)	8	Operating Temp. Low (°C)	-55
Power Handling, Peak, (KW)	8	Operating Temp. High (°C)	85
Interface		Storage Temp. Low (°C)	-60
Flange Style	Rectangular	Storage Temp. High (°C)	90
Flange Type	Cover		
Flange Designation	FDP48(UDR48)		

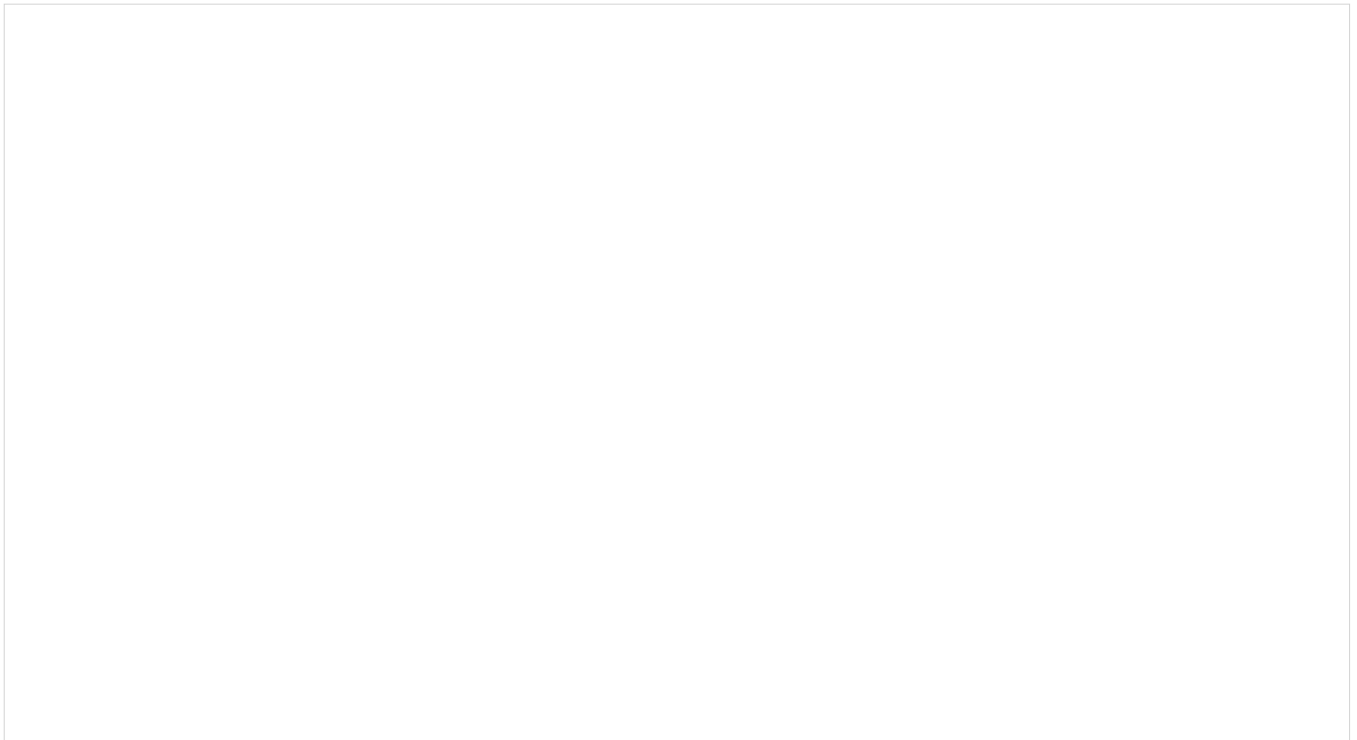
Additional Information

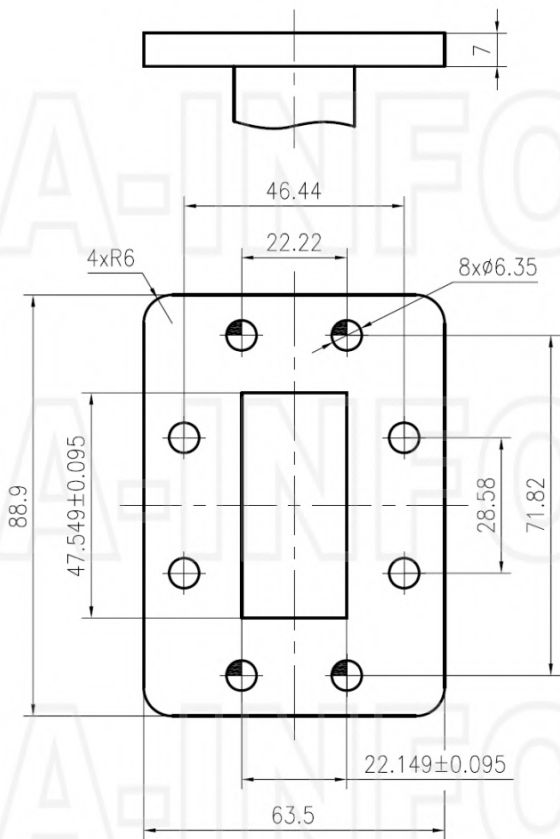
Application	General Purpose Indoor & Outdoor, Fixed
-------------	-----------------------------------------

Outline Drawing



Flange Drawing

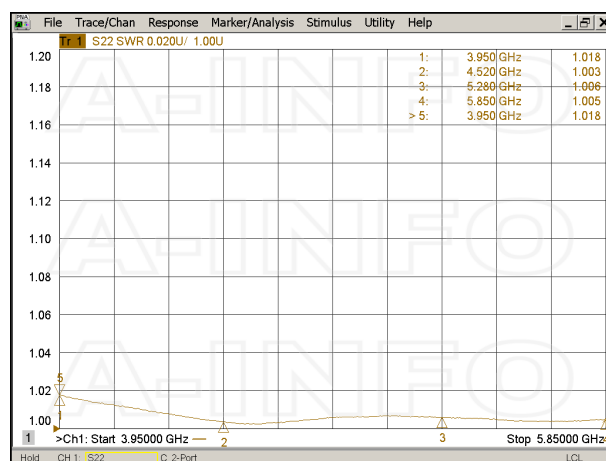




FDP48

Typical Test Results

VSWR



About this Datasheet

<ul style="list-style-type: none">● Product Information <p>Product Link: https://www.ainfoinc.com/187wpl-wr187-waveguide-precision-load-3-95-5-85-ghz-fdp48-udr48 Data subject to change without notice. © A-INFO INC. 2024. All Rights Reserved</p>	<ul style="list-style-type: none">● Contact Us <p>Address: 60 Tesla, Irvine, CA 92618, USA</p> <p>Website: www.ainfoinc.com</p> <p>Email: sales@ainfoinc.com</p>	<ul style="list-style-type: none">● Phone & Fax <p>Phone: +1-949-639-9688 +1-949-639-9608</p> <p>Fax: +1-949-639-9670</p>
----------------------------------------------------------------------------------------------------------------------------------------------------------------------------------------------------------------------------------------------------------------------------------------------------------------------------------------------------------------------------------------------	-------------------------------------------------------------------------------------------------------------------------------------------------------------------------------------------------------------------------------------------------------------------------------------	----------------------------------------------------------------------------------------------------------------------------------------------------------------