

284WHT WR284 Waveguide H-Plane Tee 2.6-3.95GHz with Three Rectangular Waveguide Interfaces

WR284 Waveguide H-Plane Tee Operating From 2.6 to 3.95GHz with Three Rectangular Waveguide Interfaces



### Product Information

SKU	284WHT
-----	--------

### Description

Waveguide H-plane tee 284WHT, operating from 2.6 to 3.95GHz with a 0.15dB insertion loss and low VSWR 1.50:1. 284WHT is a three-ports waveguide connector. All the ports have standard WR284 waveguides with the same flanges FDP32(UDR32). The waveguide H-plane tees are used to separate the signal at H plane rectangular port into the collinear arm with the two rectangular waveguide ports or synthesize the signal from the two ports of the collinear arm into the H plane port.

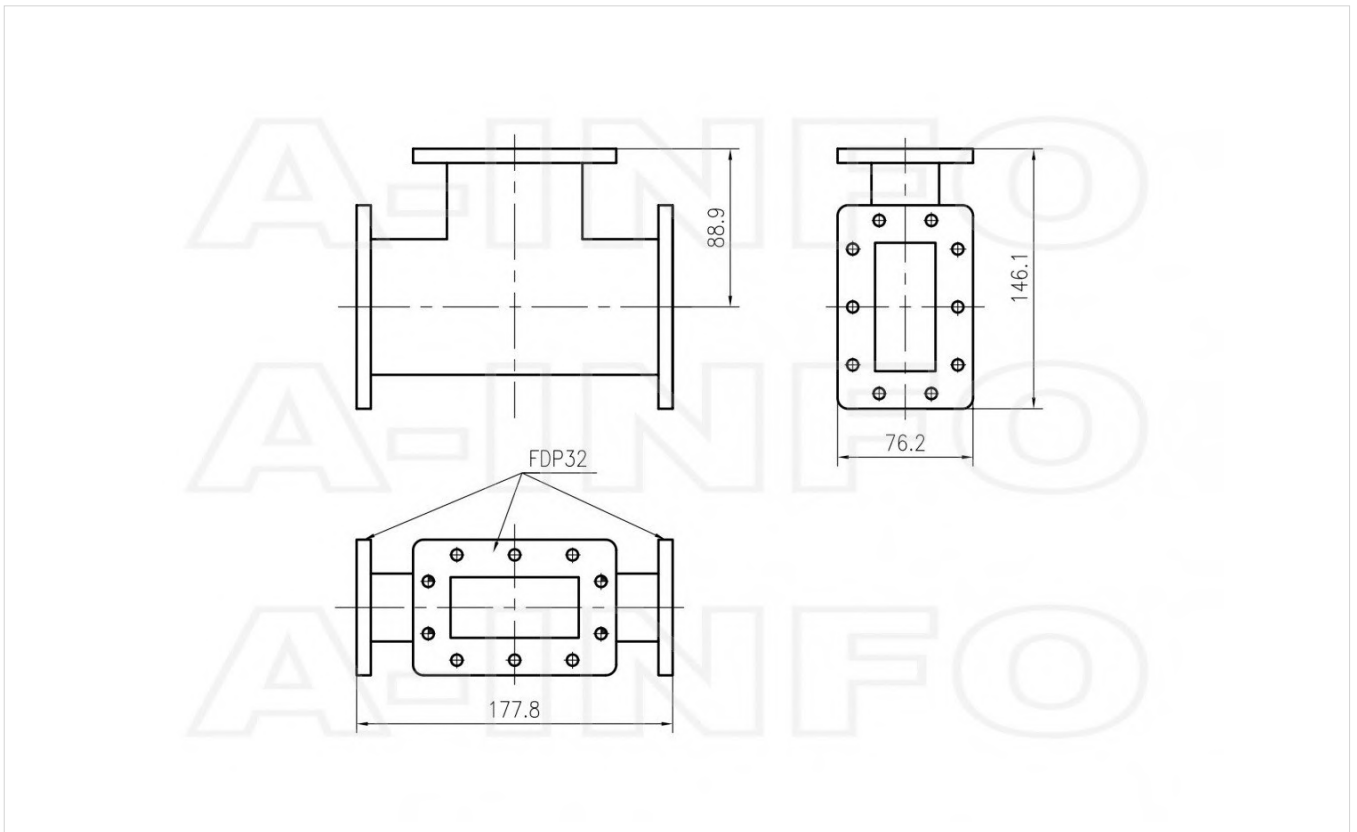
### Technical Specification

<b>Electrical Specification</b>		<b>Interface</b>	
WG Tee Type	H-Plane Tee	Flange 3 Style	Rectangular
Waveguide Band	S	Flange 3 Type	Cover
Waveguide Type	Rectangular	Flange 3 Designation	FDP32(UDR32)
Waveguide Size EIA WR	WR284	<b>Mechanical Specification</b>	
Frequency, Min (GHz)	2.6	Body Material	Al
Frequency, Max (GHz)	3.95	Size, L (mm)	117.8
I.L., Typ (dB)	0.15	Size, W (mm)	76.2
I.L., Max (dB)	0.2	Size, H (mm)	146.2
VSWR, Typ	1.50:1	Weight, (kg)	0.7
Power Handling, CW, (W)	5000	Pressure Sealed	No
Power Handling, Peak, (KW)	2500	<b>Environmental Specification</b>	
<b>Interface</b>		Operating Temp. Low (°C)	-55
Flange 1 Style	Rectangular	Operating Temp. High (°C)	85
Flange 1 Type	Cover	Storage Temp. Low (°C)	-60
Flange 1 Designation	FDP32(UDR32)	Storage Temp. High (°C)	90
Flange 2 Style	Rectangular		
Flange 2 Type	Cover		
Flange 2 Designation	FDP32(UDR32)		

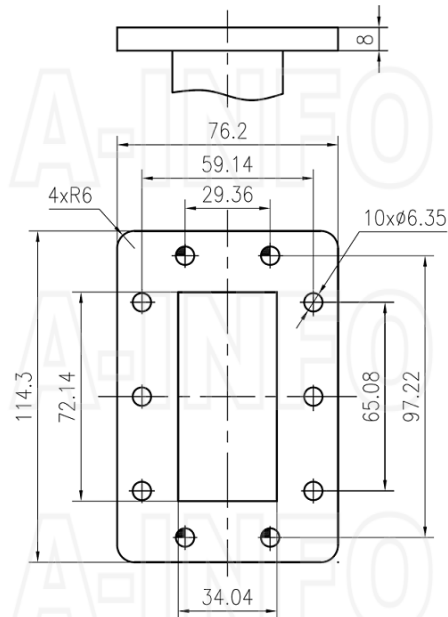
### Additional Information

Application	General Purpose Indoor & Outdoor, Fixed
-------------	---

## Outline Drawing(Size: mm)



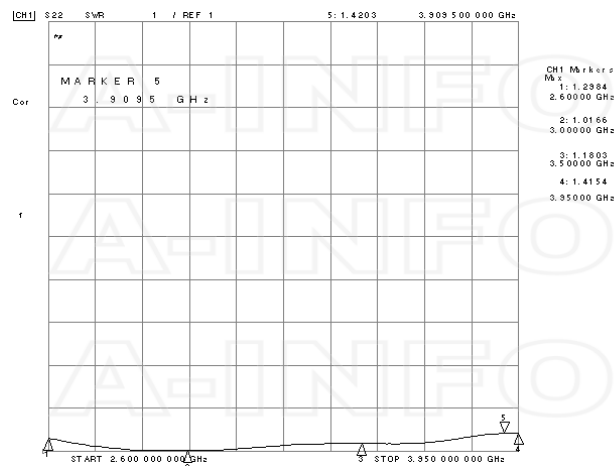
## Flange Drawing(Size: mm)



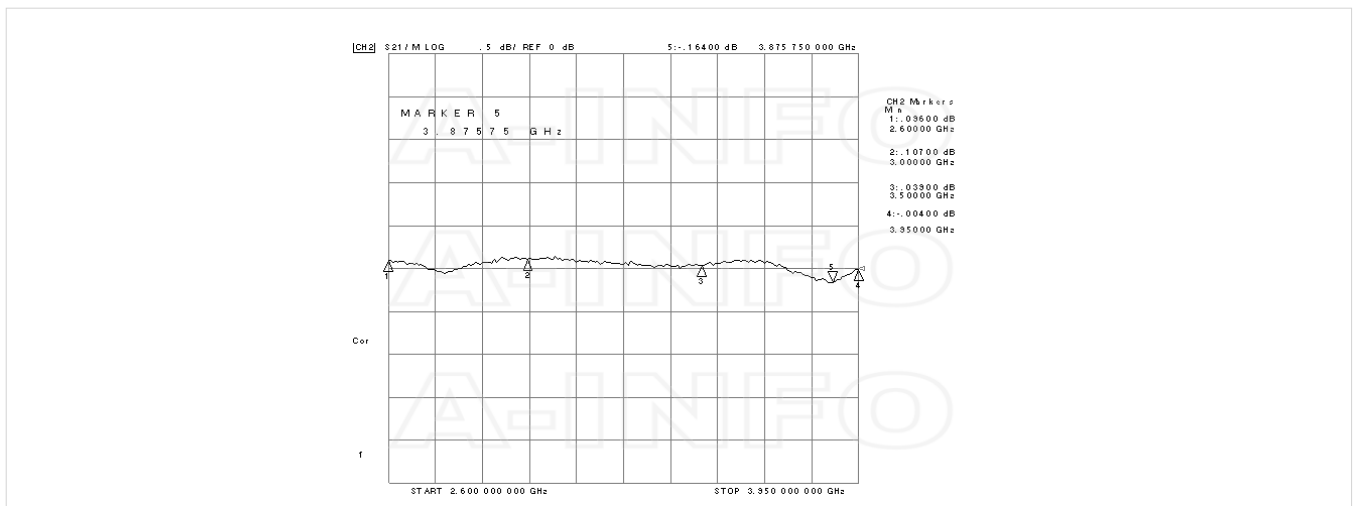
FDP32

## Typical Test Results

### VSWR



### Unbalance



### Similar Products



229WET WR229 Waveguide E-Plane Tee 3.3-4.9GHz with Three Rectangular Waveguide Interfaces



229WHT WR229 Waveguide H-Plane Tee 3.3-4.9GHz with Three Rectangular Waveguide Interfaces



229WMT WR229 Waveguide Magic Tee 3.3-4.9GHz with Four Rectangular Waveguide Interfaces



340WET WR340 Waveguide E-Plane Tee 2.2-3.3GHz with Three Rectangular Waveguide Interfaces



284WET WR284 Waveguide E-Plane Tee 2.6-3.95GHz with Three Rectangular Waveguide Interfaces



340WHT WR340 Waveguide H-Plane Tee 2.2-3.3GHz with Three Rectangular Waveguide Interfaces



340WMT WR340 Waveguide Magic Tee 2.2-3.3GHz with Four Rectangular Waveguide Interfaces



284WMT WR284 Waveguide Magic Tee 2.6-3.95GHz with Four Rectangular Waveguide Interfaces



284WMT\_PM5 WR284  
Waveguide Magic Tee  
2.6-3.95GHz with Four  
Rectangular Waveguide  
Interfaces



284WMT\_PM6 WR284  
Waveguide Magic Tee  
2.6-3.95GHz with Four  
Rectangular Waveguide  
Interfaces

## About this Datasheet

<ul style="list-style-type: none"> <li>● <b>Product Information</b> Product Link: <a href="https://www.ainfoinc.com/284wht-wr284-waveguide-h-plane-tee-2-6-3-95-ghz-fdp32-udr32">https://www.ainfoinc.com/284wht-wr284-waveguide-h-plane-tee-2-6-3-95-ghz-fdp32-udr32</a> Data subject to change without notice. © A-INFO INC. 2024. All Rights Reserved</li> </ul>	<ul style="list-style-type: none"> <li>● <b>Contact Us</b> Address: 60 Tesla, Irvine, CA 92618, USA  Website: <a href="http://www.ainfoinc.com">www.ainfoinc.com</a>  Email: <a href="mailto:sales@ainfoinc.com">sales@ainfoinc.com</a></li> </ul>	<ul style="list-style-type: none"> <li>● <b>Phone &amp; Fax</b> Phone: +1-949-639-9688 +1-949-639-9608  Fax: +1-949-639-9670</li> </ul>
---	--	---