

## Technical Specification

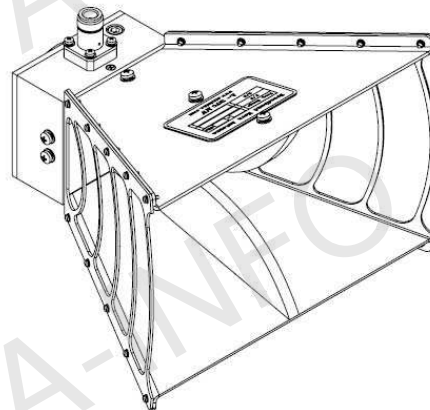
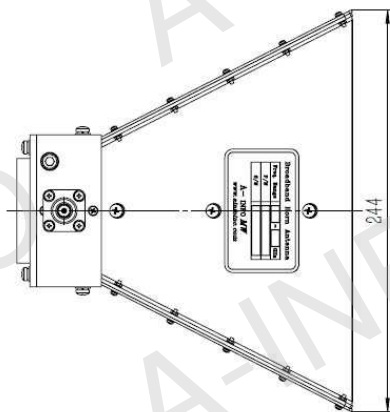
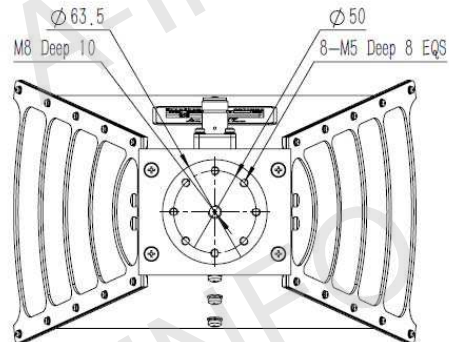
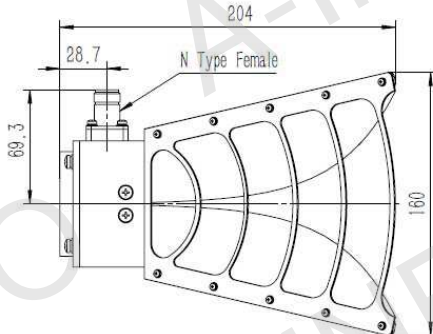


Frequency Range(GHz)	1.0 - 8.0	
Gain(dBi)	11 Typ.	
Polarization	Linear	
3dB Beamwidth(deg)	E Plane	100 - 26
	H Plane	62 - 33
Cross Pol. Isolation(dB)	25 Typ.	
VSWR	1.5:1 Typ.	
Connector	N-Female	
	or SMA-Female	
Power Handling(W)	N-Female	300 Max. CW
	SMA-Female	50 Max. CW
Material	Al	
Size(mm)	244 x 160 x 204	
Net Weight(Kg)	1.4 Around	

## Outline Drawing (Size: mm)

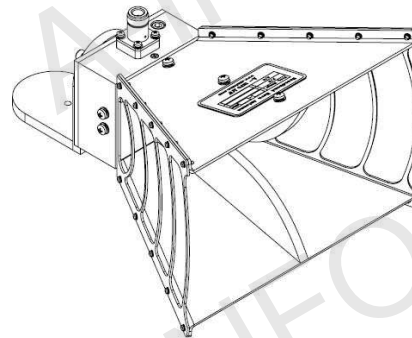
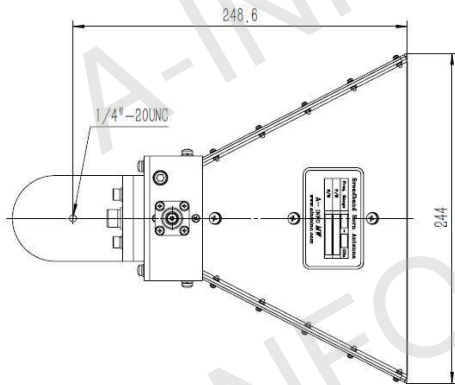
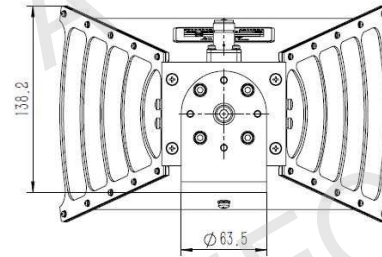
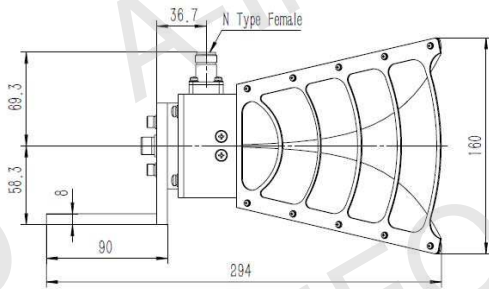
### N-Female Output

For SMA-Female output outline drawing, please contact A-INFO.



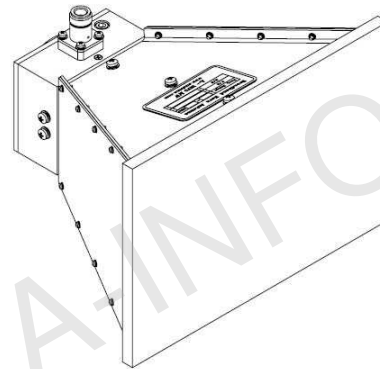
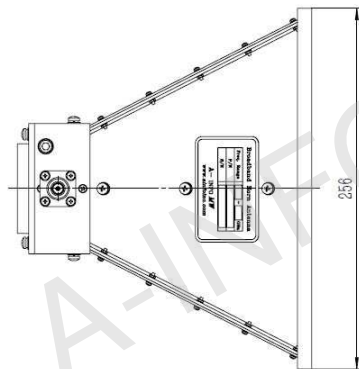
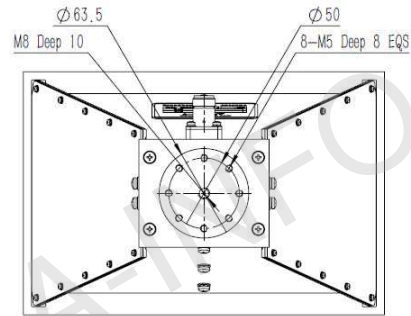
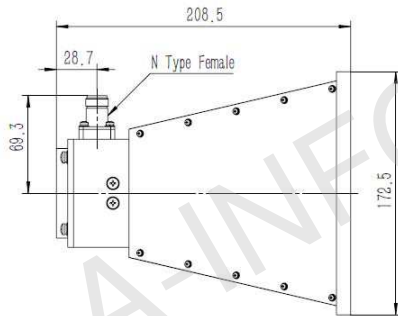
## N-Female Output with L type mounting bracket

For SMA-Female output outline drawing, please contact A-INFO.

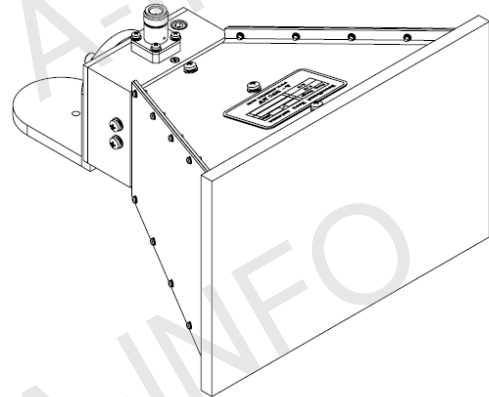
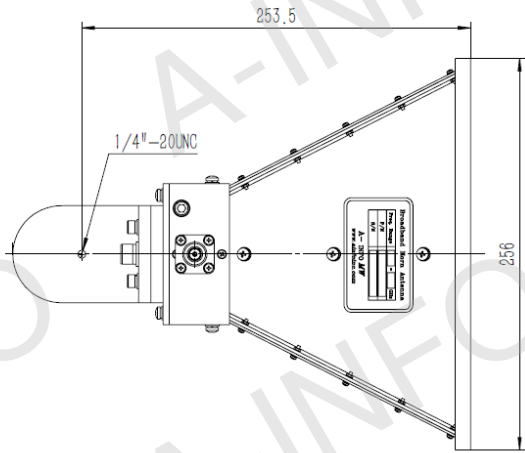
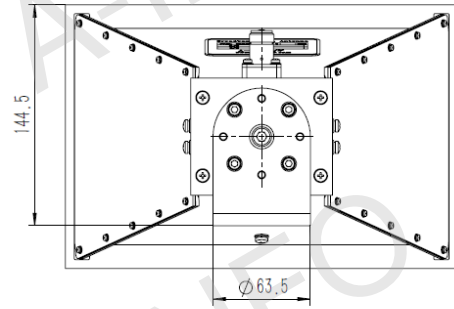
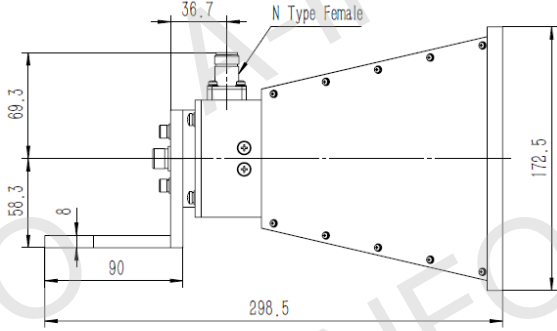


## N-Female Output with Radome

For SMA-Female output outline drawing, please contact A-INFO.

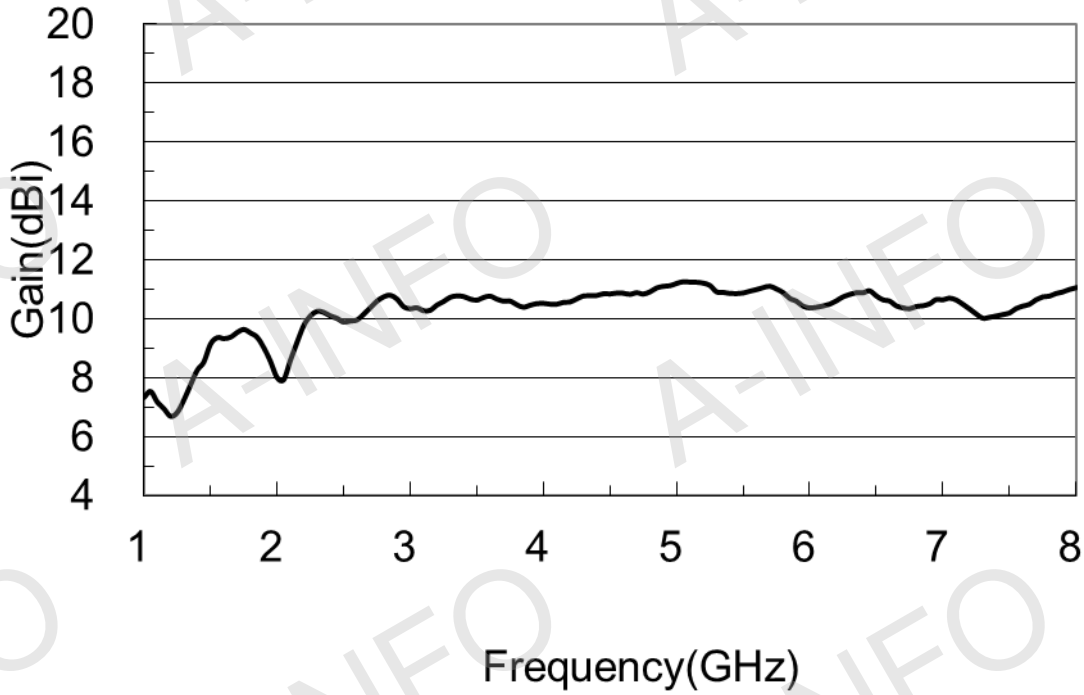


N-Female Output with L type mounting bracket & Radome  
 For SMA-Female output outline drawing, please contact A-INFO.

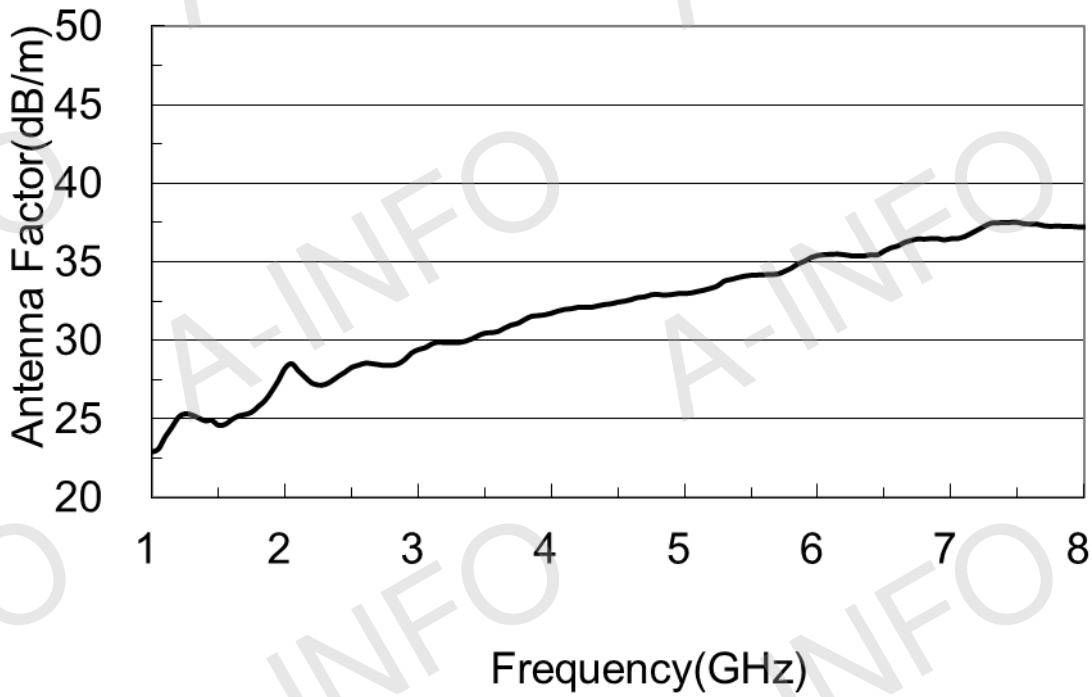


## Test Results

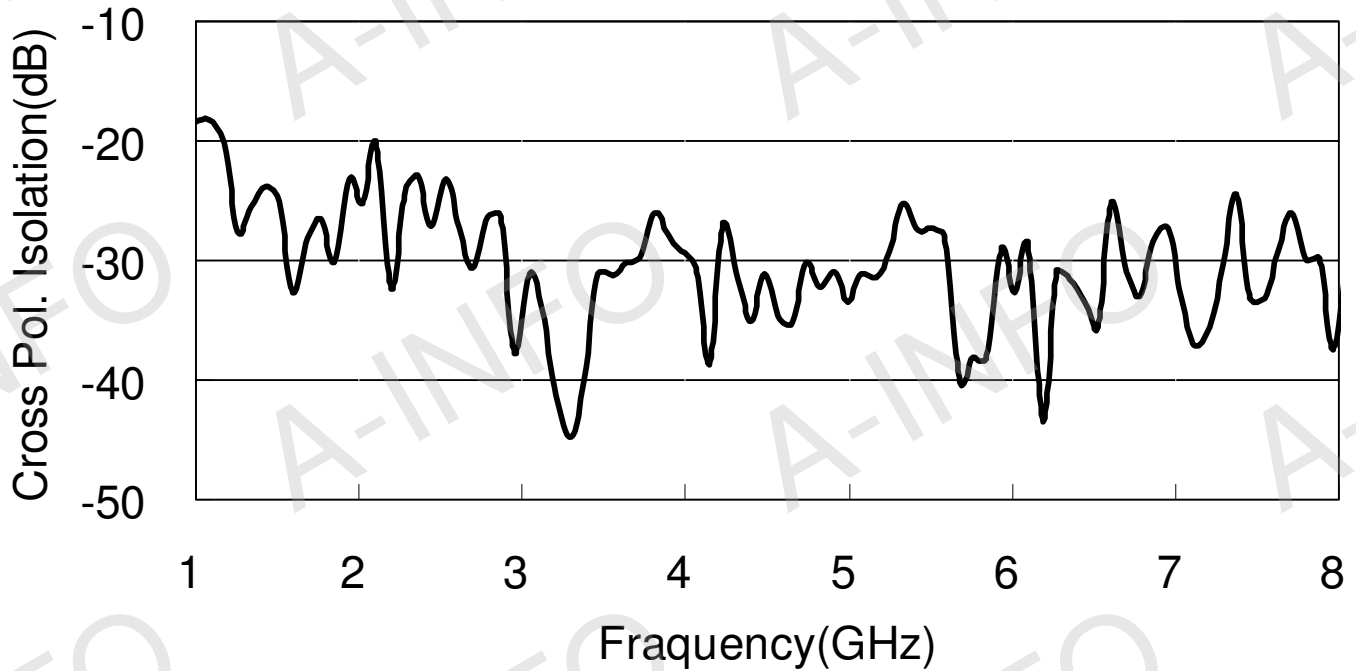
### 1. Gain



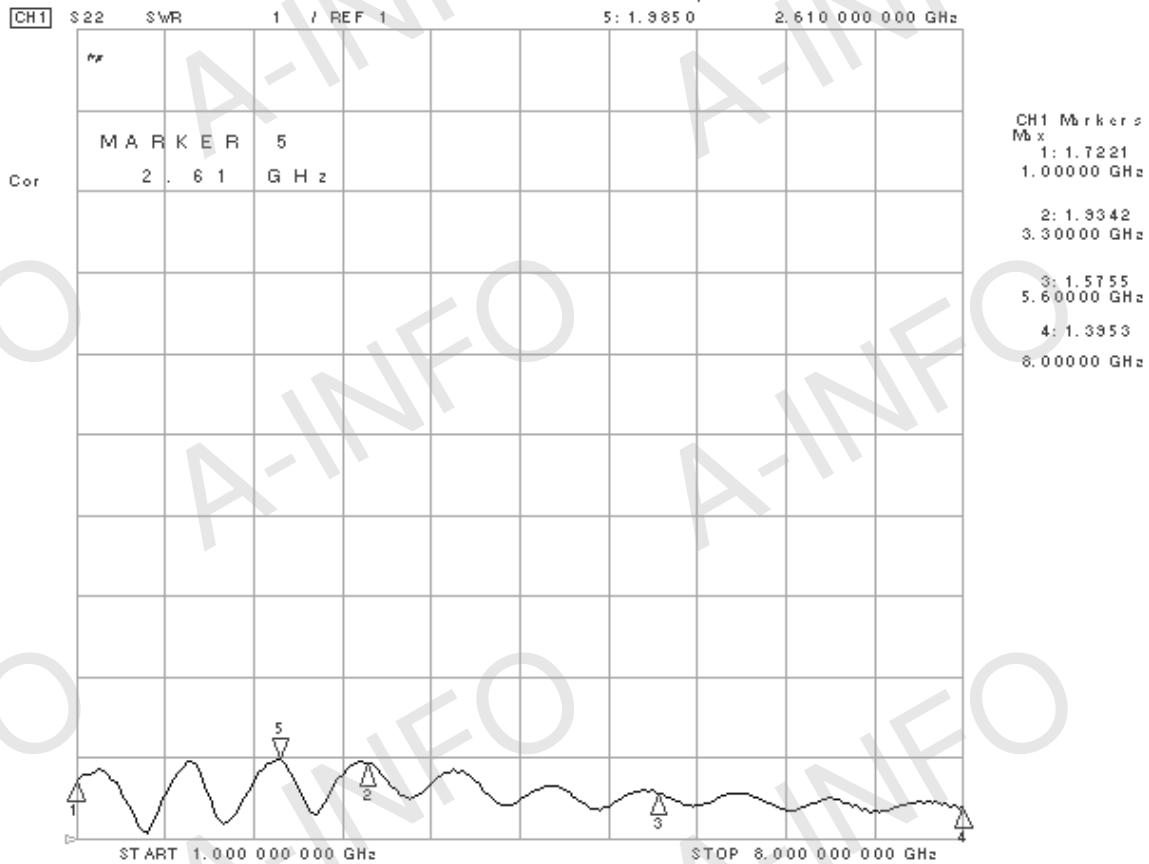
### 2. Antenna Factor



### 3. Cross Polarization Isolation

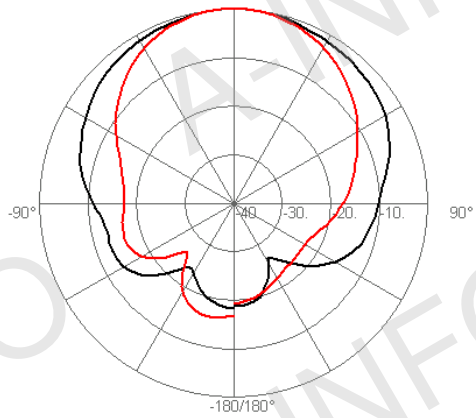


### 4. VSWR



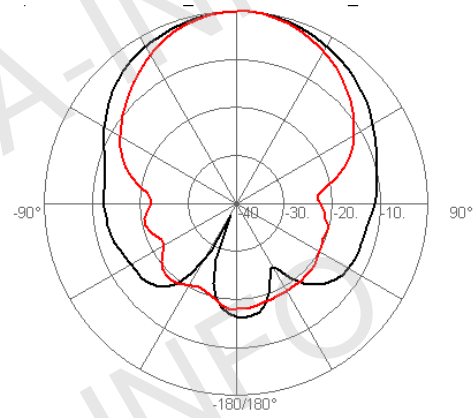
## 5. Pattern

Frequency: 1GHz



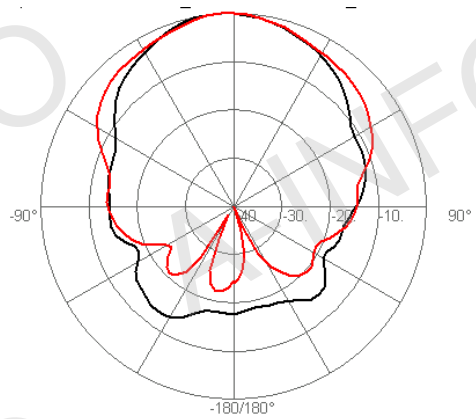
H-Plane ——— E-Plane ———  
3dB Beamwidth (deg): 59.02    3dB Beamwidth (deg): 99.65

Frequency: 1.5GHz



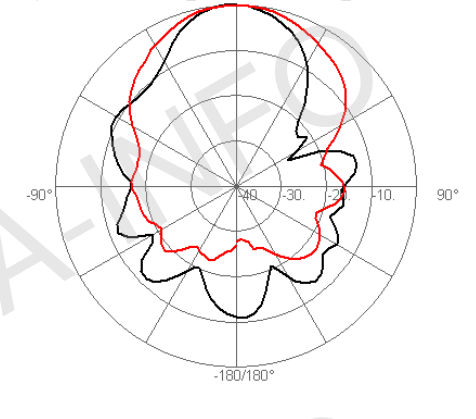
H-Plane ——— E-Plane ———  
3dB Beamwidth (deg): 52.10    3dB Beamwidth (deg): 71.70

Frequency: 2GHz



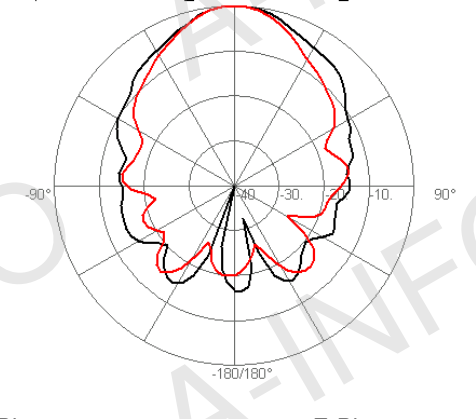
H-Plane ——— E-Plane ———  
3dB Beamwidth (deg): 61.80    3dB Beamwidth (deg): 54.00

Frequency: 2.5GHz



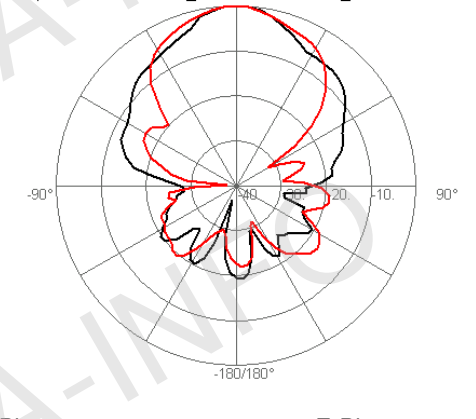
H-Plane ——— E-Plane ———  
3dB Beamwidth (deg): 50.75    3dB Beamwidth (deg): 34.74

Frequency: 3GHz

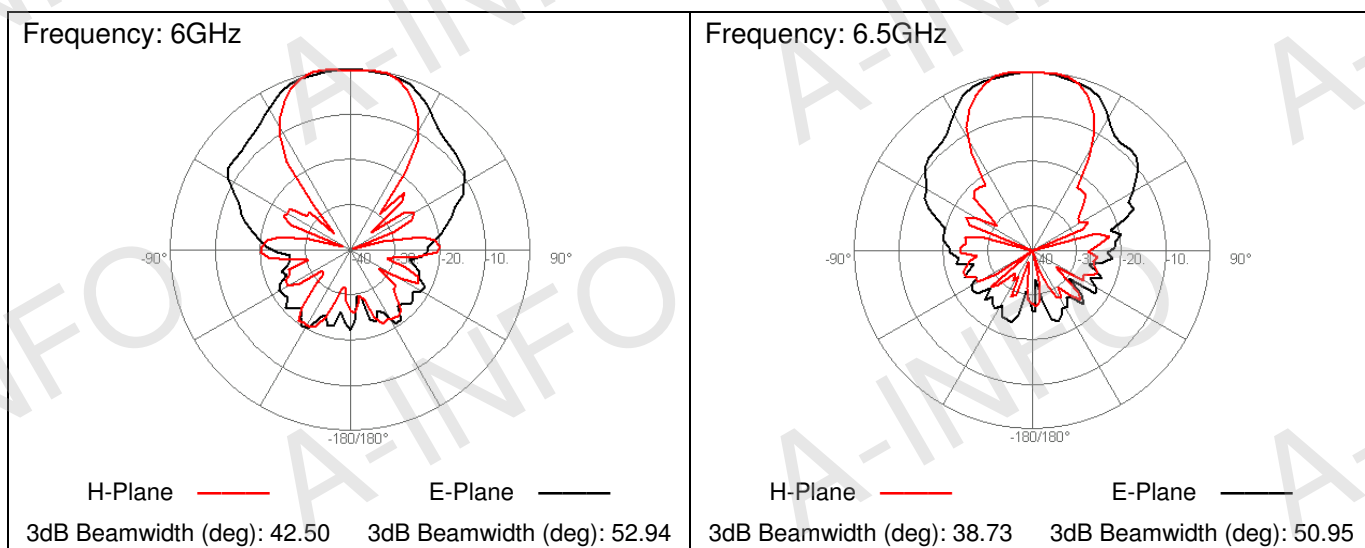
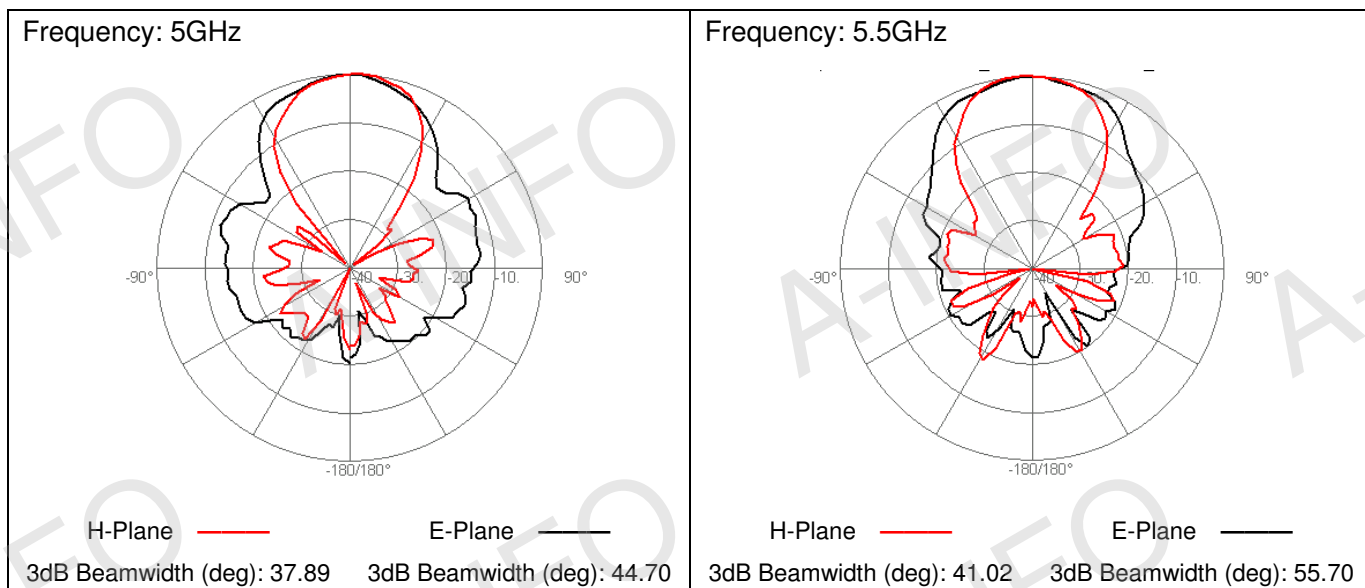
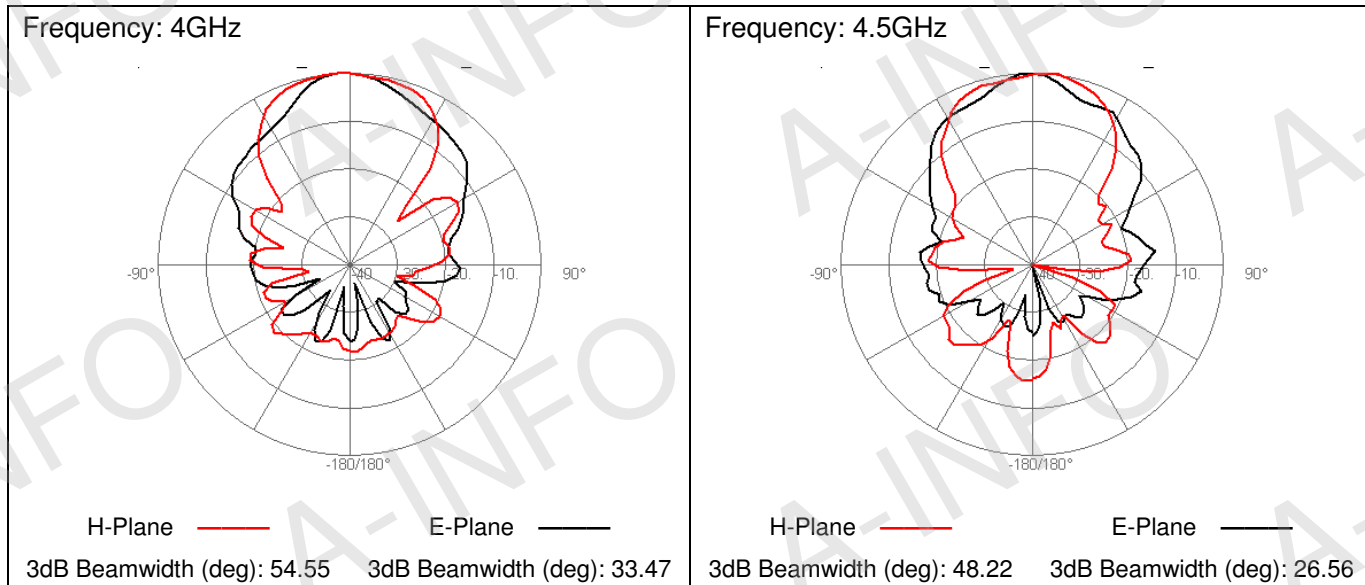


H-Plane ——— E-Plane ———  
3dB Beamwidth (deg): 33.44    3dB Beamwidth (deg): 38.65

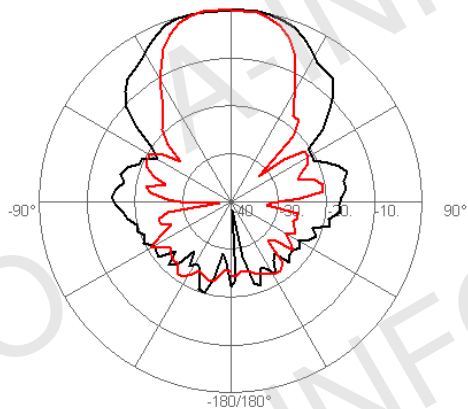
Frequency: 3.5GHz



H-Plane ——— E-Plane ———  
3dB Beamwidth (deg): 41.06    3dB Beamwidth (deg): 31.17

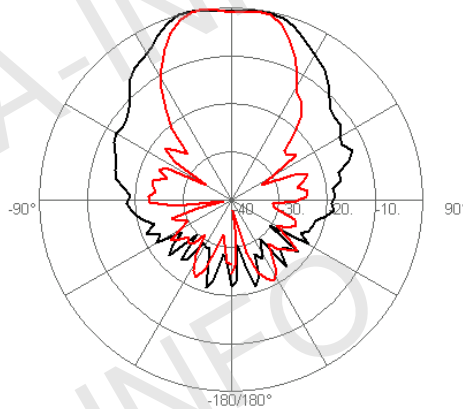


Frequency: 7GHz



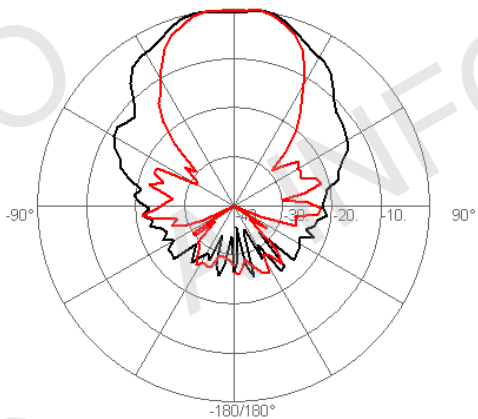
H-Plane ——— E-Plane ———  
 3dB Beamwidth (deg): 38.25    3dB Beamwidth (deg): 51.73

Frequency: 7.5GHz



H-Plane ——— E-Plane ———  
 3dB Beamwidth (deg): 37.32    3dB Beamwidth (deg): 48.51

Frequency: 8GHz



H-Plane ——— E-Plane ———  
 3dB Beamwidth (deg): 39.45    3dB Beamwidth (deg): 45.11