

12WET\_Cu WR12 Waveguide E-Plane Tee 60-90GHz with Three Rectangular Waveguide Interfaces

WR12 Waveguide E-Plane Tee Operating From 60 to 90GHz with Three Rectangular Waveguide Interfaces



### Product Information

SKU	12WET_Cu
-----	----------

### Description

Waveguide E-plane tee 12WET\_Cu, operating from 60 to 90GHz with a 0.5dB insertion loss and low VSWR 1.30:1. 12WET\_Cu is a three-ports waveguide connector. All the ports have standard WR12 waveguides with the same flanges FUGP740(UG-387/U). The waveguide E-plane tees are used to separate the signal at E plane rectangular port into the collinear arm with the two rectangular waveguide ports or synthesize the signal from the two ports of the collinear arm into the E plane port.

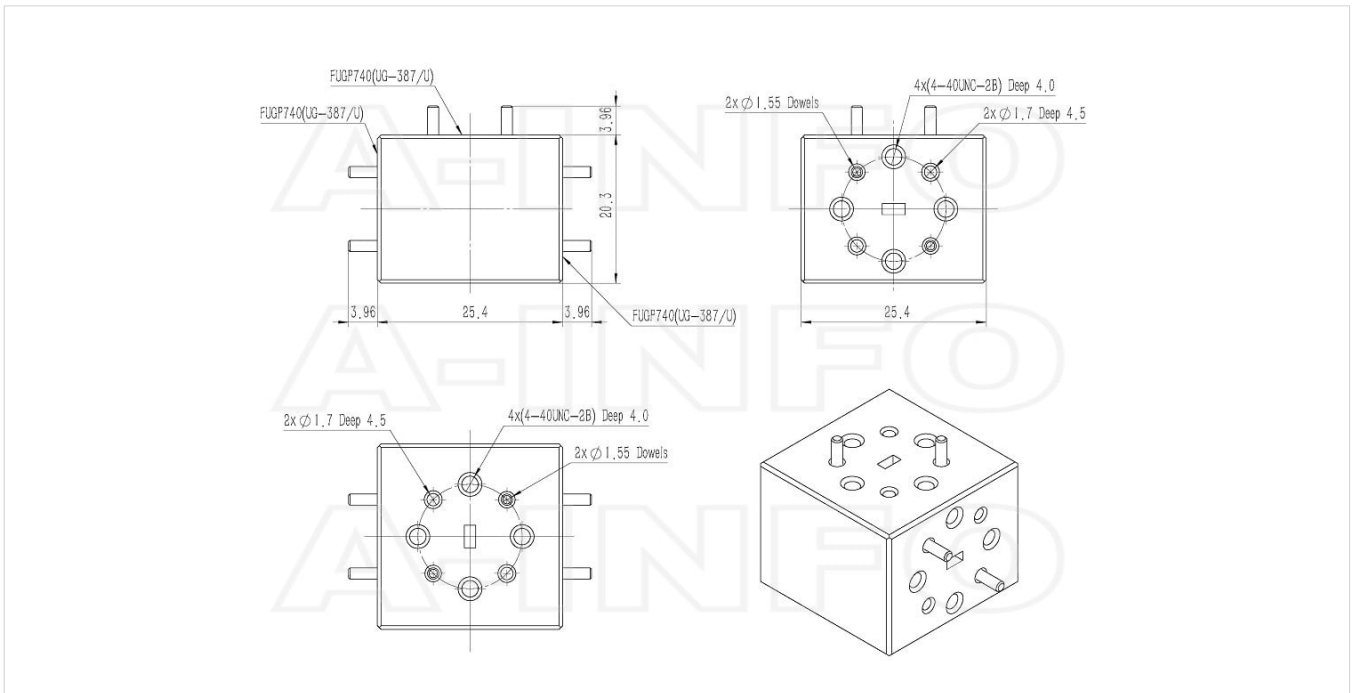
## Technical Specification

Electrical Specification		Interface	
WG Tee Type	E-Plane Tee	Flange 3 Style	Round
Waveguide Band	E	Flange 3 Type	Cover
Waveguide Type	Rectangular	Flange 3 Designation	FUGP740(UG-387/U)
Waveguide Size EIA WR	WR12	Mechanical Specification	
Frequency, Min (GHz)	60	Body Material	Cu
Frequency, Max (GHz)	90	Size, L (mm)	25.4
I.L., Typ (dB)	0.5	Size, W (mm)	25.4
I.L., Max (dB)	1	Size, H (mm)	20.3
VSWR, Typ	1.30:1	Weight, (kg)	0.1
Amplitude Balance, Max ( $\pm$ dB)	0.4	Pressure Sealed	No
Phase Balance, Max (Deg.)	3	Environmental Specification	
Power Handling, CW, (W)	8.3	Operating Temp. Low ( $^{\circ}$ C)	-55
Power Handling, Peak, (KW)	4.5	Operating Temp. High ( $^{\circ}$ C)	85
Interface		Storage Temp. Low ( $^{\circ}$ C)	-60
Flange 1 Style	Round	Storage Temp. High ( $^{\circ}$ C)	90
Flange 1 Type	Cover		
Flange 1 Designation	FUGP740(UG-387/U)		
Flange 2 Style	Round		
Flange 2 Type	Cover		
Flange 2 Designation	FUGP740(UG-387/U)		

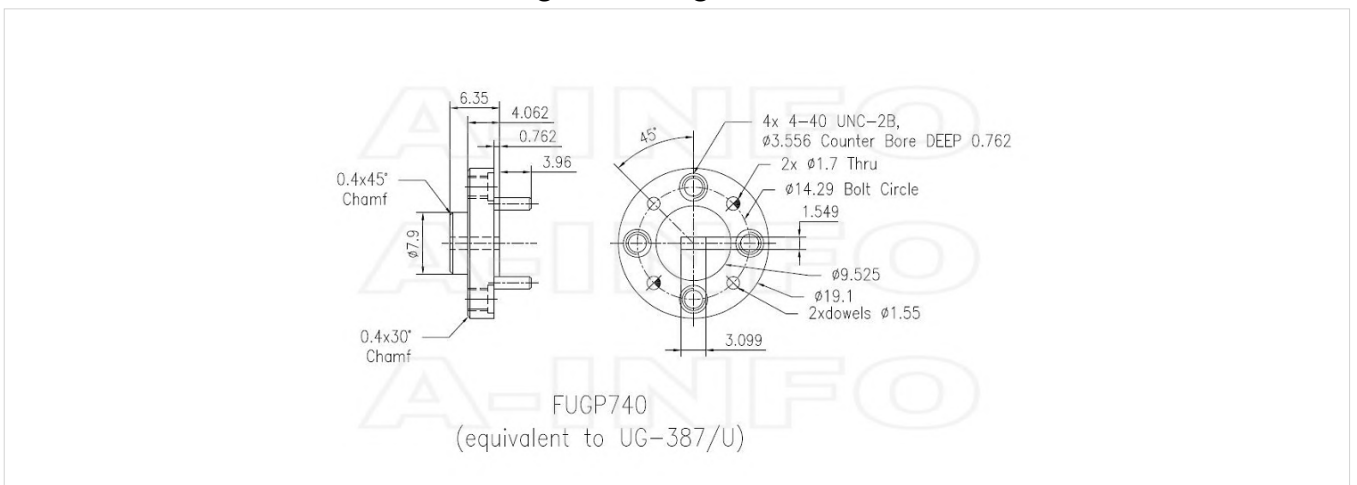
## Additional Information

Application	General Purpose Indoor & Outdoor, Fixed
-------------	---

## Outline Drawing(Size: mm)

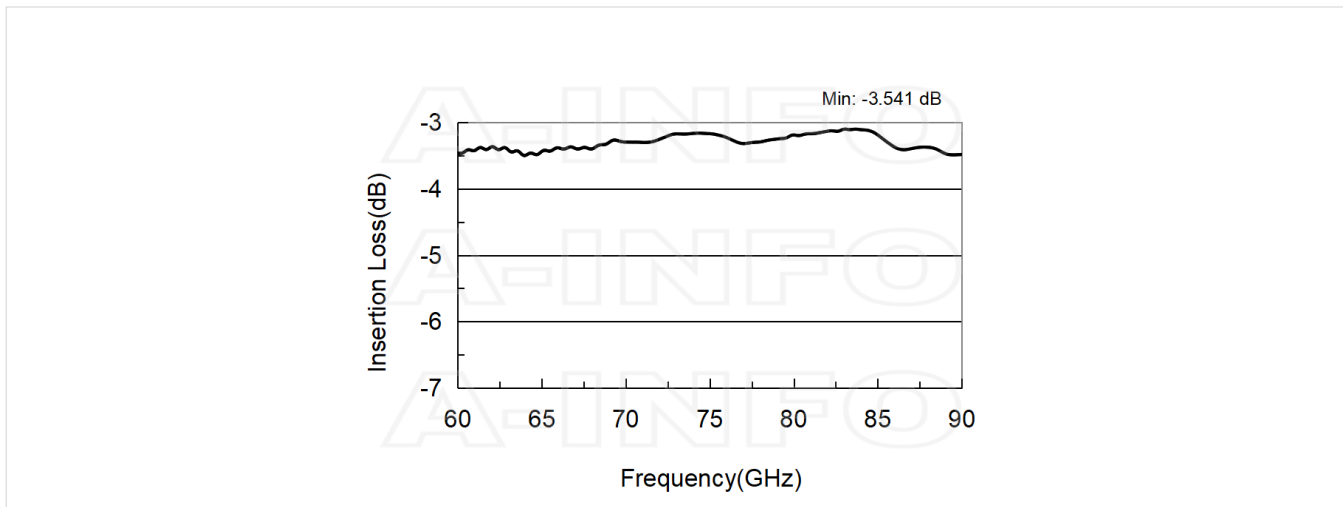


## Flange Drawing(Size: mm)

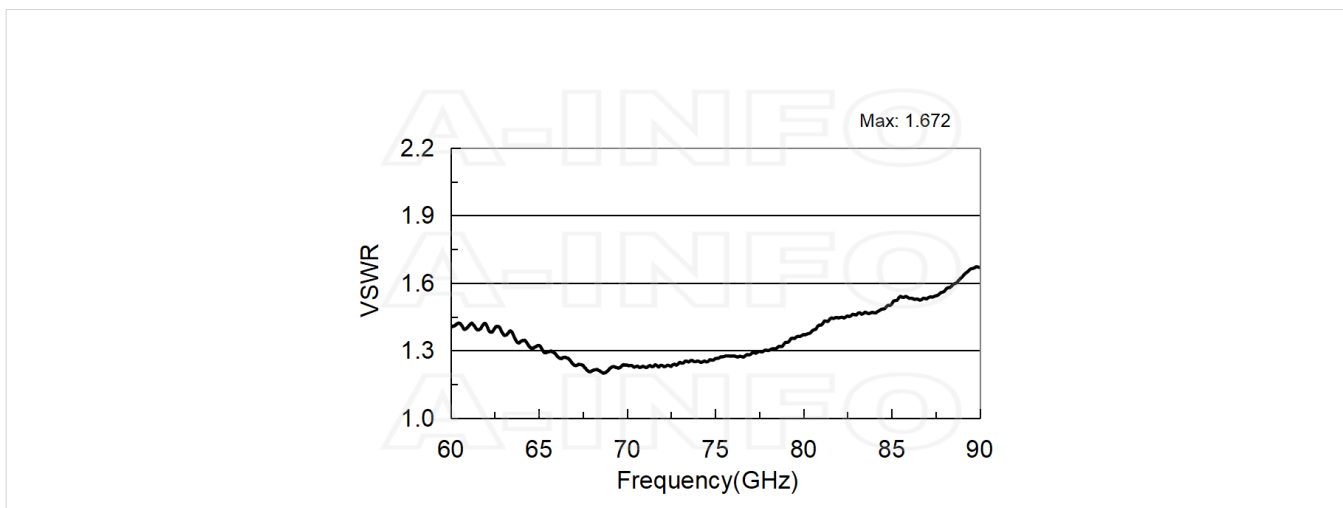


## Typical Test Results

Insertion Loss(Including the theoretical loss 3.0dB)

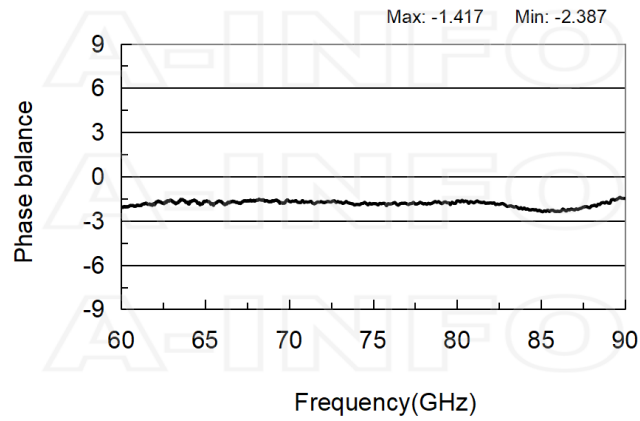


VSWR

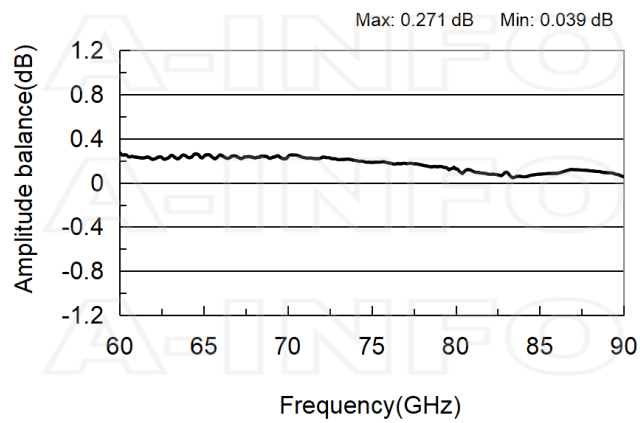


## Amplitude Balance & Phase Balance

Phase Balance



Amplitude Balance



## Similar Products



12WMT\_Cu WR12 Waveguide Magic Tee 60-90GHz with Four Rectangular Waveguide Interfaces



15WMT\_Cu WR15 Waveguide Magic Tee 50-75GHz with Four Rectangular Waveguide Interfaces



15WET\_Cu WR15 Waveguide E-Plane Tee 50-75GHz with Three Rectangular Waveguide Interfaces



10WMT\_Cu WR10 Waveguide Magic Tee 75-110GHz with Four Rectangular Waveguide Interfaces



10WET\_Cu WR10 Waveguide E-Plane Tee 75-110GHz with Three Rectangular Waveguide Interfaces

## About this Datasheet

<ul style="list-style-type: none"> <li>• <b>Product Information</b> Product Link: <a href="https://www.ainfoinc.com/12wet-cu-wr12-waveguide-e-plane-tee-60-90-ghz-fugp740-ug-387-u">https://www.ainfoinc.com/12wet-cu-wr12-waveguide-e-plane-tee-60-90-ghz-fugp740-ug-387-u</a> Data subject to change without notice. © A-INFO INC. 2024. All Rights Reserved</li> </ul>	<ul style="list-style-type: none"> <li>• <b>Contact Us</b> Address: 60 Tesla, Irvine, CA 92618, USA  Website: <a href="http://www.ainfoinc.com">www.ainfoinc.com</a>  Email: <a href="mailto:sales@ainfoinc.com">sales@ainfoinc.com</a></li> </ul>	<ul style="list-style-type: none"> <li>• <b>Phone &amp; Fax</b> Phone: +1-949-639-9688 +1-949-639-9608  Fax: +1-949-639-9670</li> </ul>
---	--	---