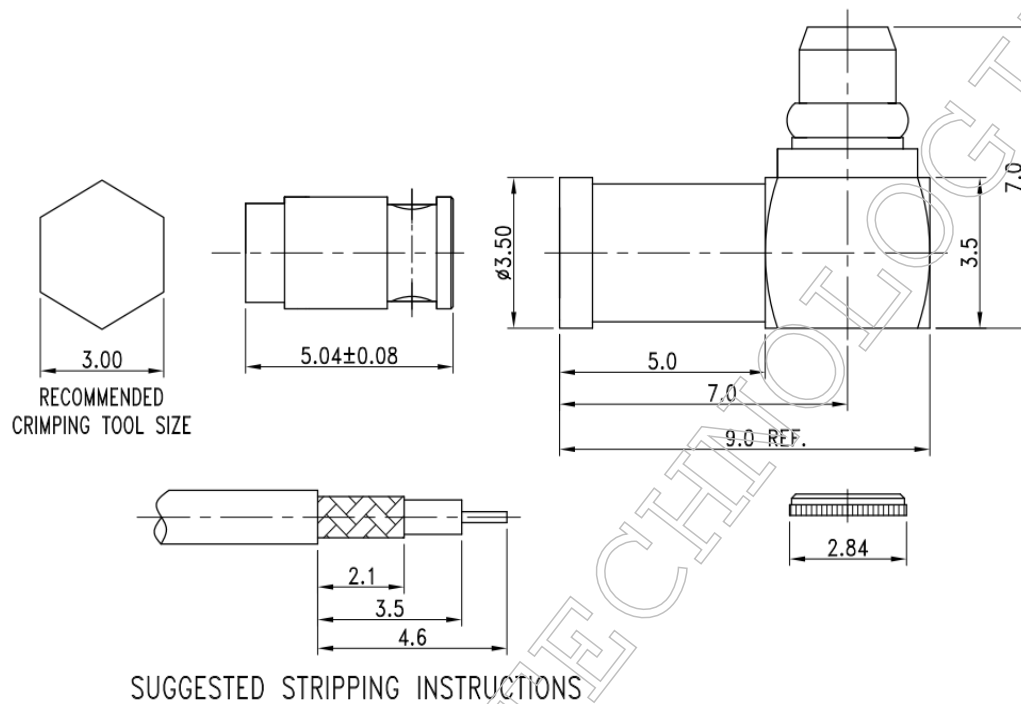


▪ **Outline Dimension Drawing**

Dimensions: mm[inch]



▪ **Material Specification**

Description	Material	Plating
Body	Brass	Gold
Pin	Brass	Gold
Dielectric	PTFE	
R-ring	BeCu	Gold
Ring	Brass	Gold
End cap	Brass	Gold

In the effort to improve our products, we reserve the right to make changes judged to be necessary

**▪ Electrical Specification**

Description		Description	
Impedance	50 Ω	Insulation Resistance	500 MΩ Min.
Frequency	6 GHz	Inner Contact Resistance	5 mΩ Max.
VSWR	1.35 Max.	Outer Contact Resistance	2.5 mΩ Max.
Insertion Loss	N/A dB Max.		
Voltage Rating	170 Vrms Max.		
Dielectric Withstanding Voltage	500 Vrms Max.		

**▪ Mechanical Specification**

Description		Description	
Center Contact		Recommended Torque	N/A in. lbs
Axial Force-Mating End	4 lbs.		
Axial Force-Opposite End	N/A lbs.		
Connector Durability	500 cycles		
Weight	N/A g		

**▪ Environmental Specification**

Description		Description	
Temperature Min.	-55 °C		
Temperature Max.	155 °C		
Hermetic Seal	N/A		

In the effort to improve our products, we reserve the right to make changes judged to be necessary