

75WLPL WR75 Waveguide Low Power Load 10-15GHz with Rectangular Waveguide Interface



WR75 Waveguide Low Power Load Operating From 10 to 15GHz with Rectangular Waveguide Interface

### Product Information

|     |        |
|-----|--------|
| SKU | 75WLPL |
|-----|--------|

### Description

Waveguide low power load 75WLPL, operating from 10 to 15GHz and low VSWR 1.04:1 75WLPL covers the WR75 sub waveguide band and comes with one flange FBP120(UBR120). It can handle 2W continuously and 2KW peak power. The WLPL series are for general version, low VSWR terminations for system application. The typical applications include system or test bench set-ups and small moderate power dummy loads.

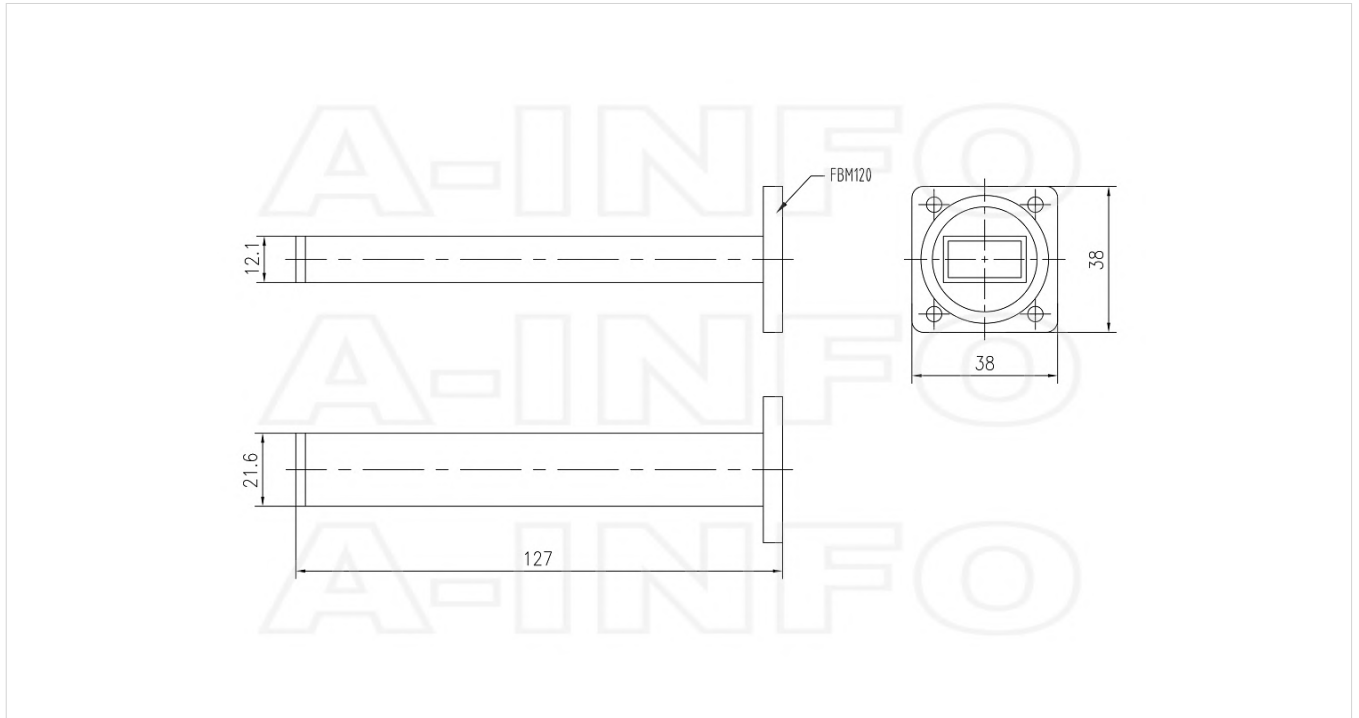
### Technical Specification

| Electrical Specification   |                | Mechanical Specification    |      |
|----------------------------|----------------|-----------------------------|------|
| WG Load Type               | Low Power      | Body Material               | Al   |
| Waveguide Band             | X<br>Ku        | Size, L (mm)                | 127  |
| Waveguide Type             | Rectangular    | Size, W (mm)                | 38   |
| Waveguide Size EIA WR      | WR75           | Size, H (mm)                | 38   |
| Frequency, Min (GHz)       | 10             | Weight, (kg)                | 0.08 |
| Frequency, Max (GHz)       | 15             | Pressure Sealed             | No   |
| VSWR, Typ                  | 1.03:1         | Environmental Specification |      |
| VSWR, Max                  | 1.04:1         | Operating Temp. Low (°C)    | -55  |
| Power Handling, CW, (W)    | 2              | Operating Temp. High (°C)   | 85   |
| Power Handling, Peak, (KW) | 2              | Storage Temp. Low (°C)      | -60  |
|                            |                | Storage Temp. High (°C)     | 90   |
| Interface                  |                |                             |      |
| Flange Style               | Square         |                             |      |
| Flange Type                | Cover          |                             |      |
| Flange Designation         | FBP120(UBR120) |                             |      |

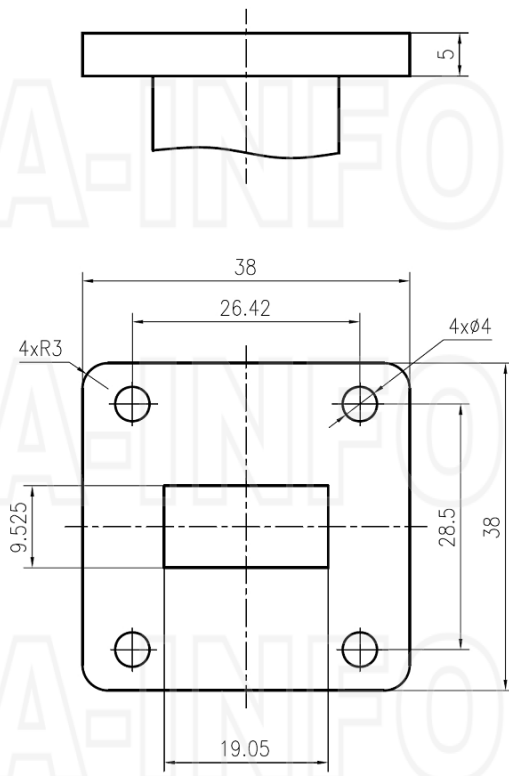
## Additional Information

|             |   |
|-------------|---|
| Application | General Purpose Indoor & Outdoor, Fixed |
|-------------|---|

## Outline Drawing



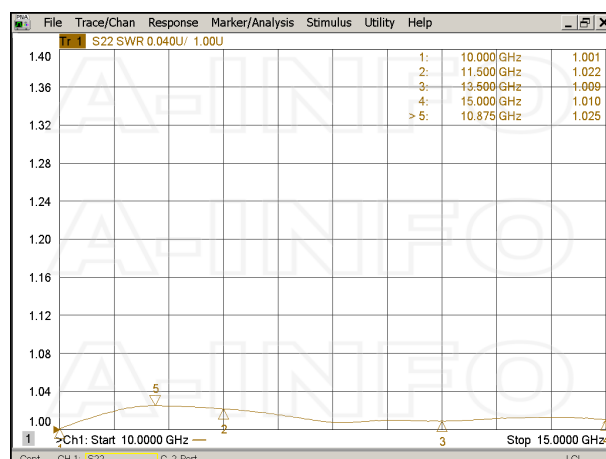
## Flange Drawing



FBP120

## Typical Test Results

### VSWR



## About this Datasheet

|  |   |  |
|--|---|--|
| <ul style="list-style-type: none"><li>● <b>Product Information</b></li></ul> <p>Product Link:<br/><a href="https://www.ainfoinc.com/75wpl-wr75-waveguide-low-power-load-10-15-ghz-fbp120-ubr120">https://www.ainfoinc.com/75wpl-wr75-waveguide-low-power-load-10-15-ghz-fbp120-ubr120</a><br/>Data subject to change without notice.<br/>© A-INFO INC. 2024. All Rights Reserved</p> | <ul style="list-style-type: none"><li>● <b>Contact Us</b></li></ul> <p>Address:<br/>60 Tesla, Irvine, CA 92618,<br/>USA</p> <p>Website:<br/><a href="http://www.ainfoinc.com">www.ainfoinc.com</a></p> <p>Email:<br/><a href="mailto:sales@ainfoinc.com">sales@ainfoinc.com</a></p> | <ul style="list-style-type: none"><li>● <b>Phone &amp; Fax</b></li></ul> <p>Phone:<br/>+1-949-639-9688<br/>+1-949-639-9608</p> <p>Fax:<br/>+1-949-639-9670</p> |
|--|---|--|