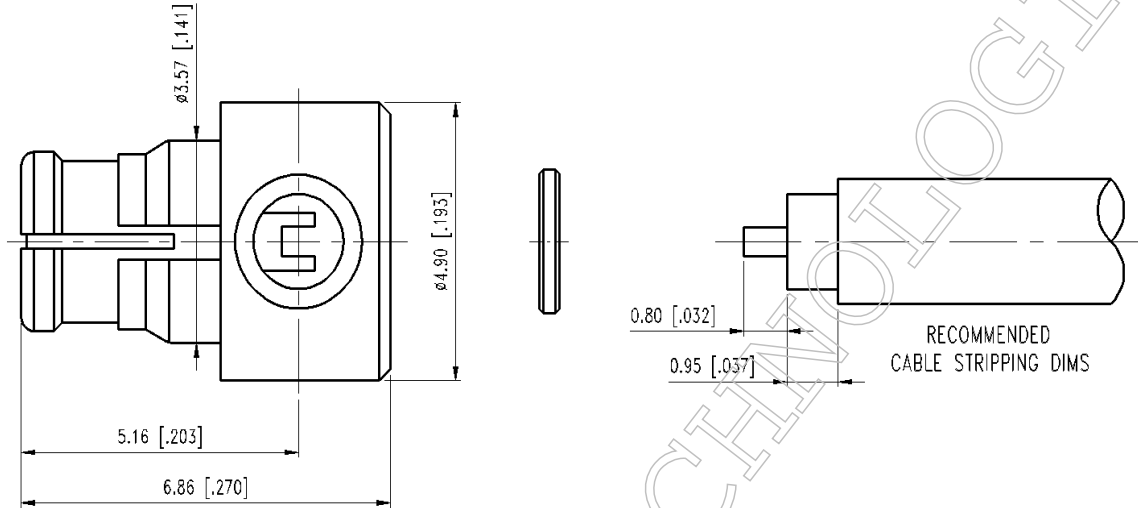


▪ **Outline Dimension Drawing**

Dimensions: mm[inch]



▪ **Material Specification**

Description	Material	Plating
Body	BeCu	Gold
Contact	BeCu	Gold
Dielectric	PTFE	
R-ring	BeCu	Gold
Cap	Brass	Gold

In the effort to improve our products, we reserve the right to make changes judged to be necessary

**▪ Electrical Specification**

Description			Description		
Impedance	50	Ω	Insulation Resistance	5000	MΩ Min.
Frequency	12.4	GHz	Inner Contact Resistance	6	mΩ Max.
VSWR	6GHz/1.20	Max.	Outer Contact Resistance	2	mΩ Max.
	12.4GHz/1.30	Max.			
Insertion Loss	0.3	dB Max.			
Voltage Rating	335	Vrms Max.			
Dielectric Withstanding Voltage	500	Vrms Max.			

**▪ Mechanical Specification**

Description		
Engagement Force		
Full Detent	15	lbs. Max.
Limited Detent	10	lbs. Max.
Smooth Bore	2	lbs. Max.
Disengagement Force		
Full Detent	5	lbs. Min.
Limited Detent	2	lbs. Min.
Smooth Bore	0.5	lbs. Min.
Connector Durability		
Full Detent	100	matings min.
Limited Detent	500	matings min.
Smooth Bore	1000	matings min.
Center Contact		
Axial Force-Mating End	N/A	lbs.
Axial Force-Opposite End	N/A	lbs.
Weight	N/A	g

**▪ Environmental Specification**

Description	
Temperature Min.	-65 °C
Temperature Max.	165 °C
Hermetic Seal	N/A

In the effort to improve our products, we reserve the right to make changes judged to be necessary