



10WET_Cu WR10 Waveguide E-Plane Tee 75-110GHz with Three Rectangular Waveguide Interfaces

WR10 Waveguide E-Plane Tee Operating From 75 to 110GHz with Three Rectangular Waveguide Interfaces

Product Information

SKU	10WET_Cu
-----	----------

Description

Waveguide E-plane tee 10WET_Cu, operating from 75 to 110GHz with a 0.6dB insertion loss and low VSWR 1.50:1. 10WET_Cu is a three-ports waveguide connector. All the ports have standard WR10 waveguides with the same flanges FUGP900(UG-387/U-M). The waveguide E-plane tees are used to separate the signal at E plane rectangular port into the collinear arm with the two rectangular waveguide ports or synthesize the signal from the two ports of the collinear arm into the E plane port.

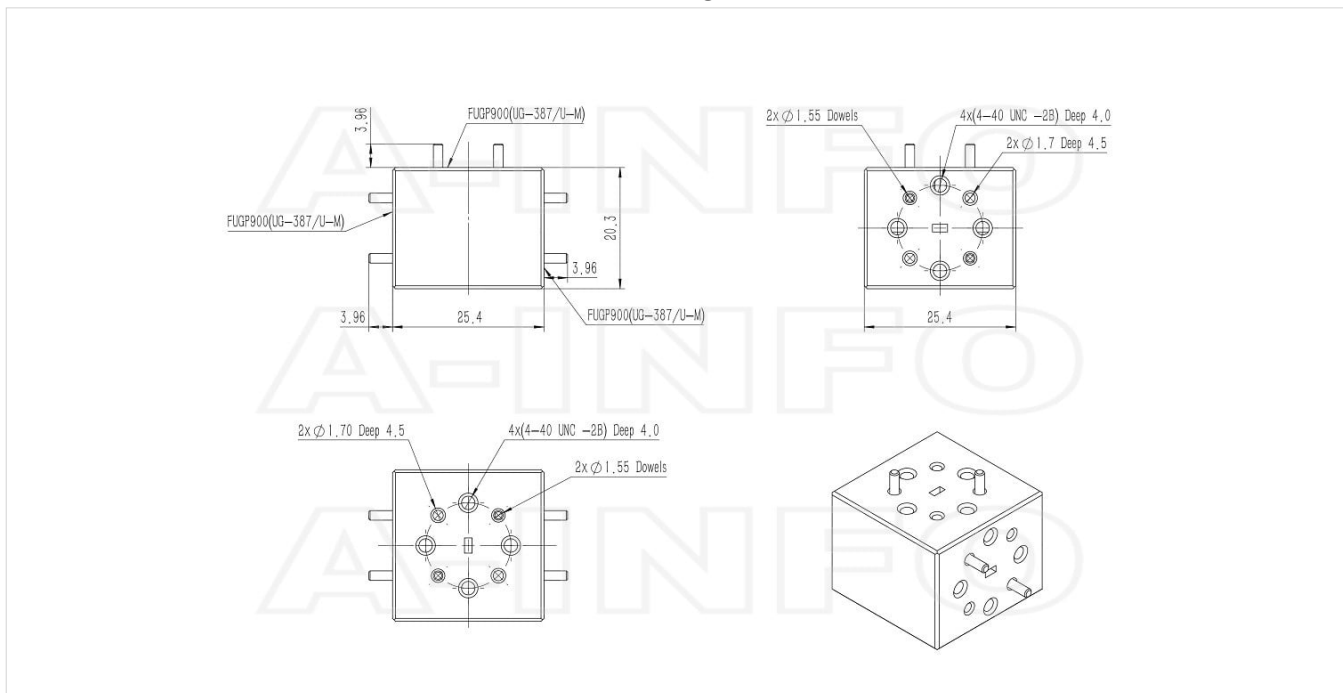
Technical Specification

Electrical Specification		Interface	
WG Tee Type	E-Plane Tee	Flange 3 Style	Round
Waveguide Band	W	Flange 3 Type	Cover
Waveguide Type	Rectangular	Flange 3 Designation	FUGP900(UG-387/U-M)
Waveguide Size EIA WR	WR10	Mechanical Specification	
Frequency, Min (GHz)	75	Body Material	Cu
Frequency, Max (GHz)	110	Size, L (mm)	25.4
I.L., Typ (dB)	0.6	Size, W (mm)	25.4
I.L., Max (dB)	1	Size, H (mm)	20.3
VSWR, Typ	1.50:1	Weight, (kg)	0.1
Amplitude Balance, Max (±dB)	0.6	Pressure Sealed	No
Phase Balance, Max (Deg.)	3	Environmental Specification	
Power Handling, CW, (W)	6.6	Operating Temp. Low (°C)	-55
Power Handling, Peak, (KW)	3	Operating Temp. High (°C)	85
Interface		Storage Temp. Low (°C)	-60
Flange 1 Style	Round	Storage Temp. High (°C)	90
Flange 1 Type	Cover		
Flange 1 Designation	FUGP900(UG-387/U-M)		
Flange 2 Style	Round		
Flange 2 Type	Cover		
Flange 2 Designation	FUGP900(UG-387/U-M)		

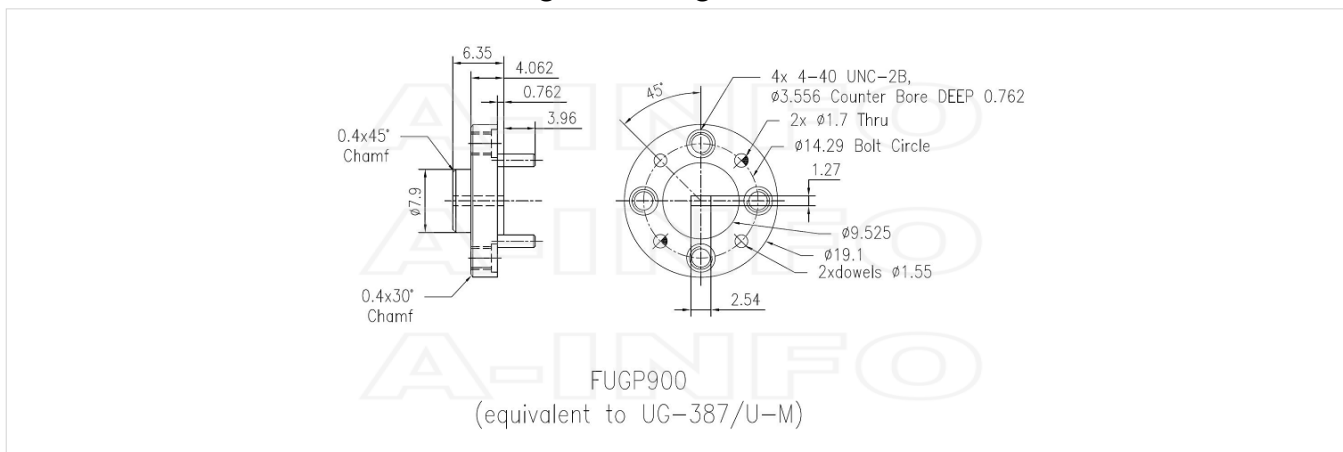
Additional Information

Application	General Purpose Indoor & Outdoor, Fixed
-------------	---

Outline Drawing(Size: mm)

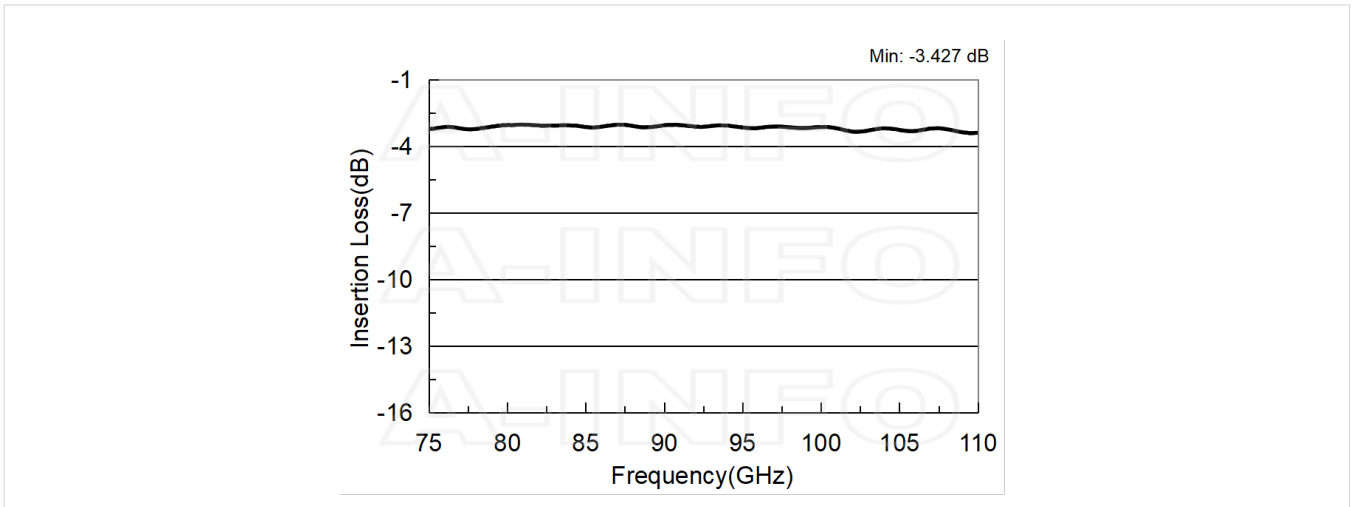


Flange Drawing(Size: mm)

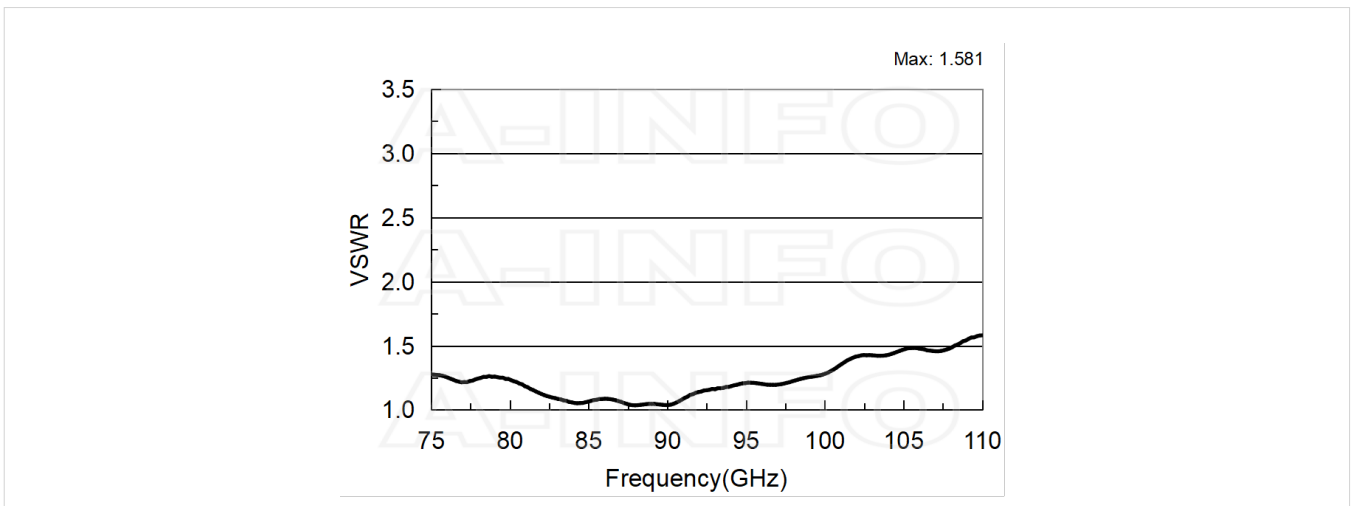


Typical Test Results

Insertion Loss(Including the theoretical loss 3.0dB)

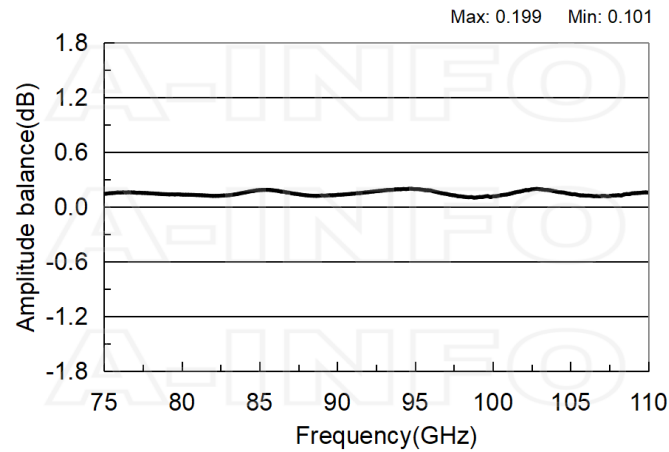


VSWR

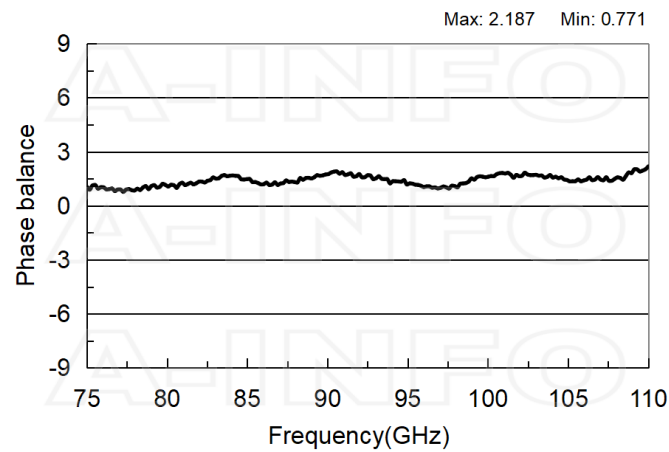


Amplitude Balance & Phase Balance

Amplitude Balance



Phase Balance



Similar Products



10WMT_Cu WR10 Waveguide Magic Tee 75-110GHz with Four Rectangular Waveguide Interfaces



12WET_Cu WR12 Waveguide E-Plane Tee 60-90GHz with Three Rectangular Waveguide Interfaces



12WMT_Cu WR12 Waveguide Magic Tee 60-90GHz with Four Rectangular Waveguide Interfaces

About this Datasheet

<ul style="list-style-type: none">● Product Information <p>Product Link: https://www.ainfoinc.com/10wet-cu-wr10-waveguide-e-plane-tee-75-110-ghz-fugp900-ug-387-u-m Data subject to change without notice. © A-INFO INC. 2024. All Rights Reserved</p>	<ul style="list-style-type: none">● Contact Us <p>Address: 60 Tesla, Irvine, CA 92618, USA</p> <p>Website: www.ainfoinc.com</p> <p>Email: sales@ainfoinc.com</p>	<ul style="list-style-type: none">● Phone & Fax <p>Phone: +1-949-639-9688 +1-949-639-9608</p> <p>Fax: +1-949-639-9670</p>
--	---	--