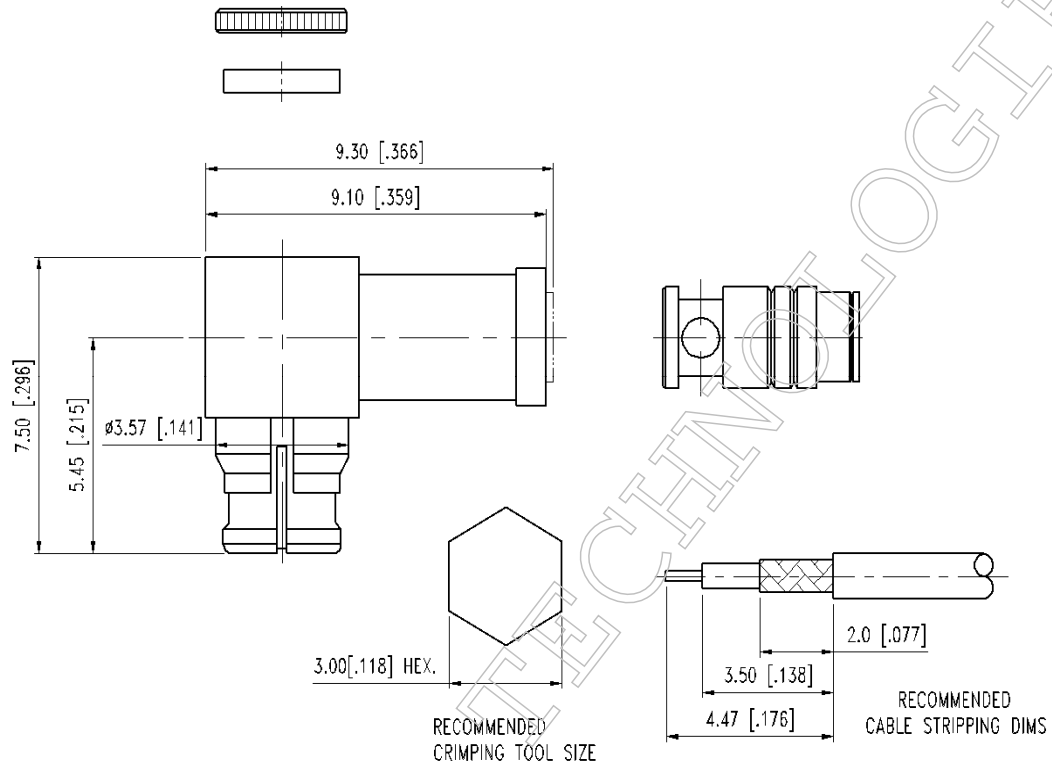


▪ **Outline Dimension Drawing**

Dimensions: mm[inch]



▪ **Material Specification**

Description	Material	Plating
Body	Brass	Gold
Outer Contact	BeCu	Gold
Center Contact	BeCu	Gold
Dielectric	PTFE	
Retaining Ring	BeCu	Gold
Ferrule	Brass	Gold
End cap	Brass	Gold

In the effort to improve our products, we reserve the right to make changes judged to be necessary



▪ **Electrical Specification**

Description			Description		
Impedance	50	Ω	Insulation Resistance	5000	MΩ Min.
Frequency	6	GHz	Inner Contact Resistance	6	mΩ Max.
VSWR	1.4	Max.	Outer Contact Resistance	2	mΩ Max.
Insertion Loss	0.20	dB Max.			
Voltage Rating	170	Vrms Max.			
Dielectric Withstanding Voltage	330	Vrms Max.			

▪ **Mechanical Specification**

Description		
Engagement Force		
Full Detent	15	lbs. Max.
Limited Detent	10	lbs. Max.
Smooth Bore	2	lbs. Max.
Disengagement Force		
Full Detent	5	lbs. Min.
Limited Detent	2	lbs. Min.
Smooth Bore	0.5	lbs. Min.
Connector Durability		
Full Detent	100	matings min.
Limited Detent	500	matings min.
Smooth Bore	1000	matings min.
Center Contact		
Axial Force-Mating End	N/A	lbs.
Axial Force-Opposite End	N/A	lbs.
Weight	N/A	g

▪ **Environmental Specification**

Description	
Temperature Min.	-65 °C
Temperature Max.	165 °C
Hermetic Seal	N/A

In the effort to improve our products, we reserve the right to make changes judged to be necessary