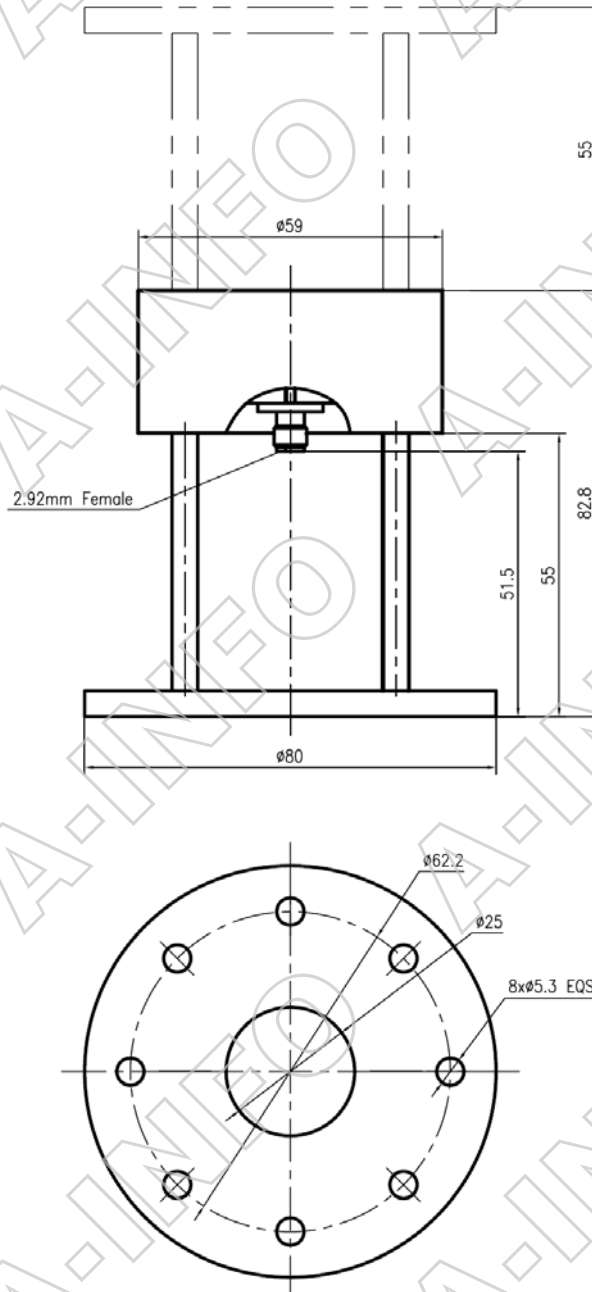


Technical Specification



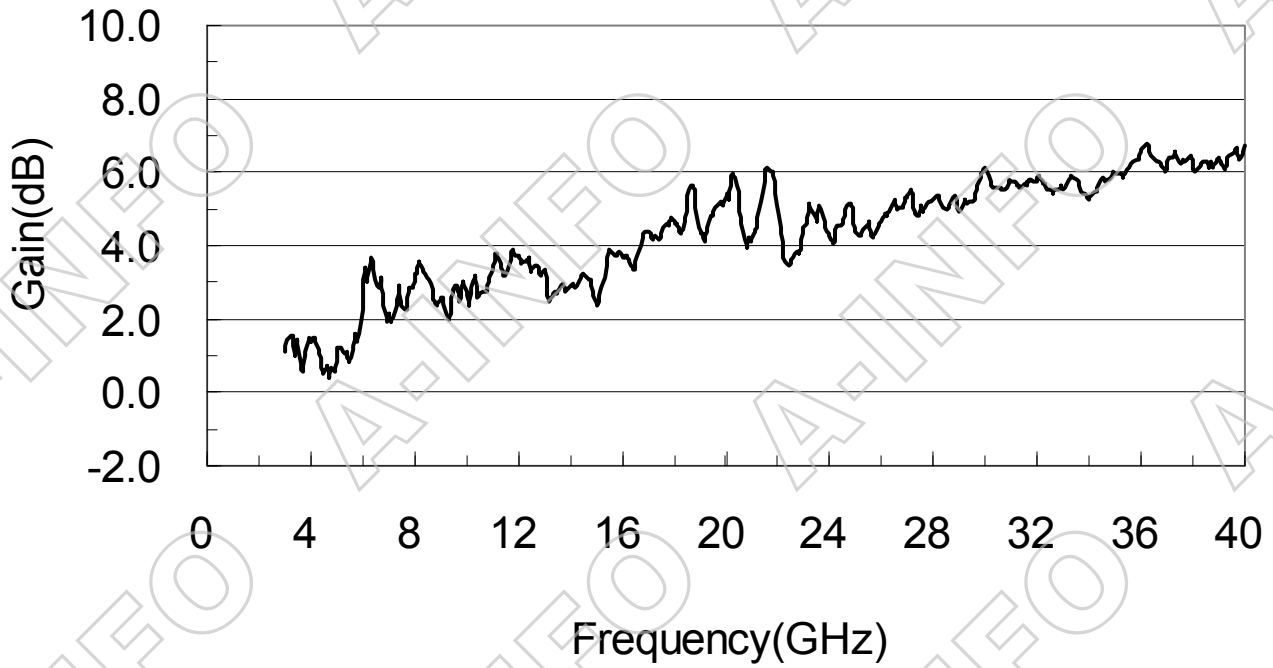
Frequency Range(GHz)	3.0 - 40.0
Polarization	Vertical
Gain(dB)	3 Typ.
VSWR	2:1 Typ.
Power (W)	30 CW
Connector	2.92mm-Female
Size(mm)	(Φ)80 x (H)82.8 approx.
Net Weight(Kg)	0.2 Around

Outline Drawing (Size: mm)

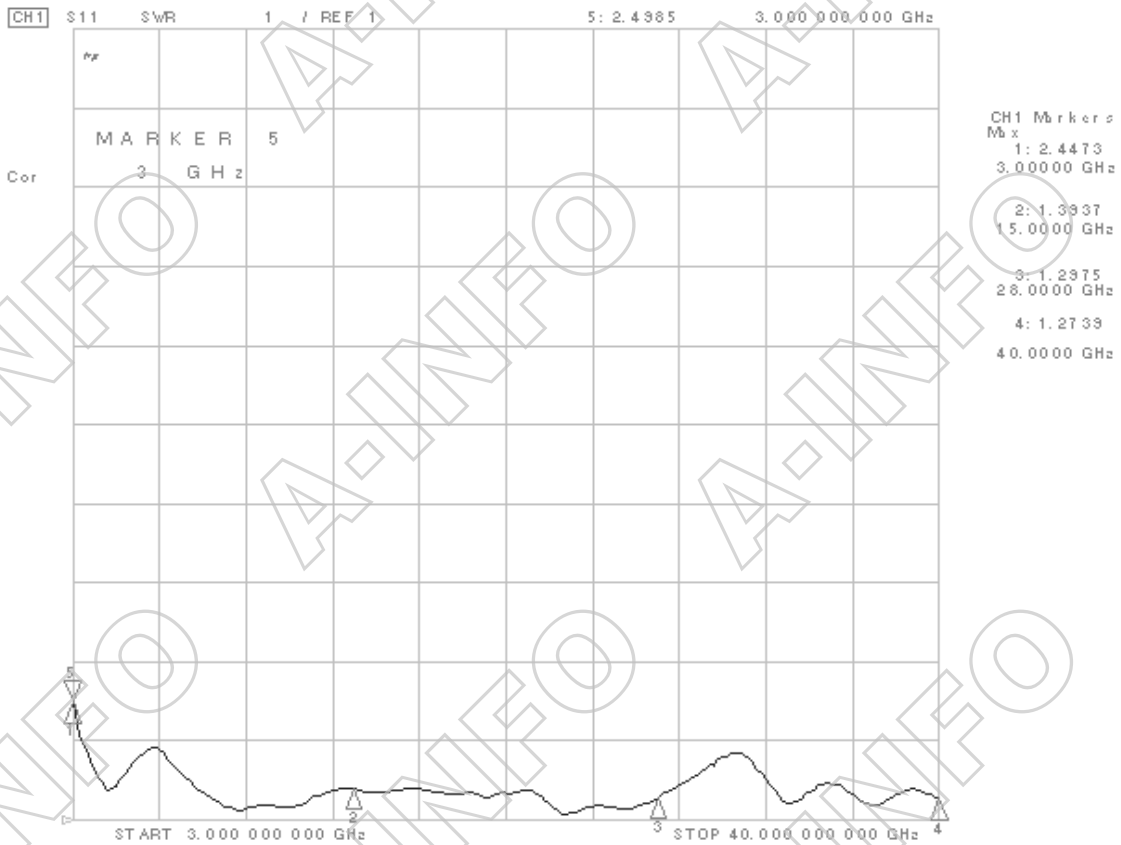


Test Results

1. Gain

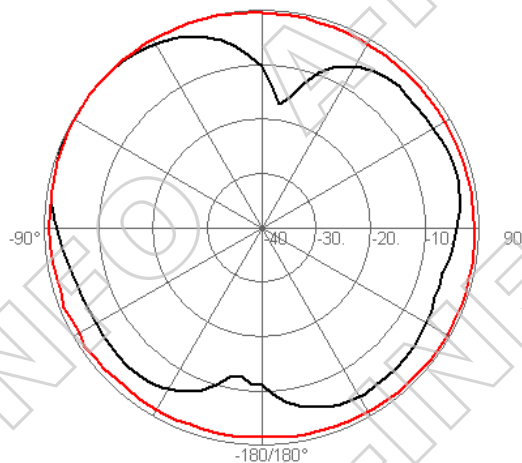


2. VSWR



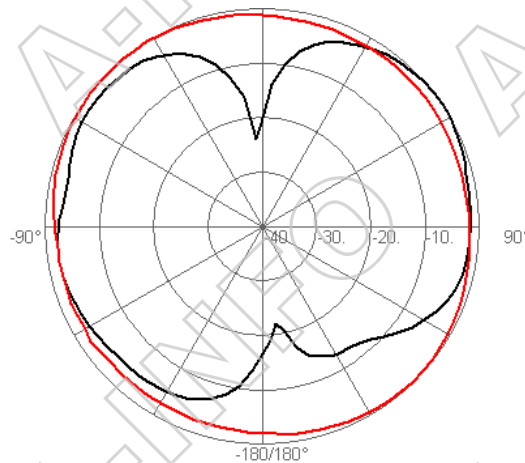
3. Pattern

Frequency: 3.0GHz



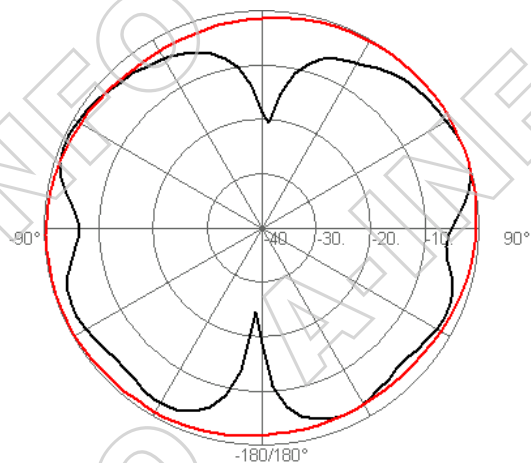
H-Plane ——— E-Plane ———

Frequency: 3.5GHz



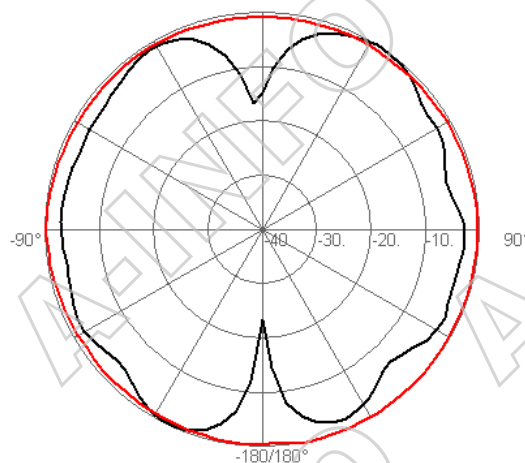
H-Plane ——— E-Plane ———

Frequency: 4.0GHz



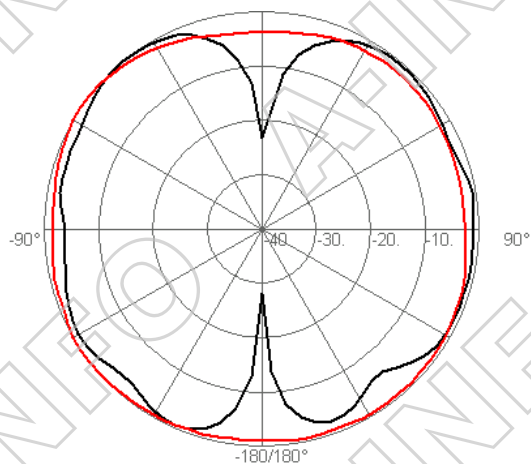
H-Plane ——— E-Plane ———

Frequency: 4.5GHz



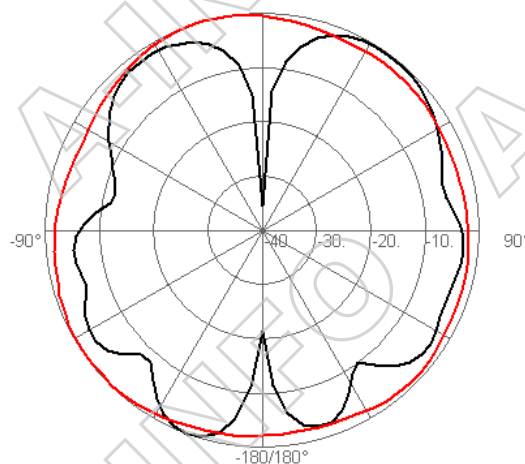
H-Plane ——— E-Plane ———

Frequency: 5.0GHz

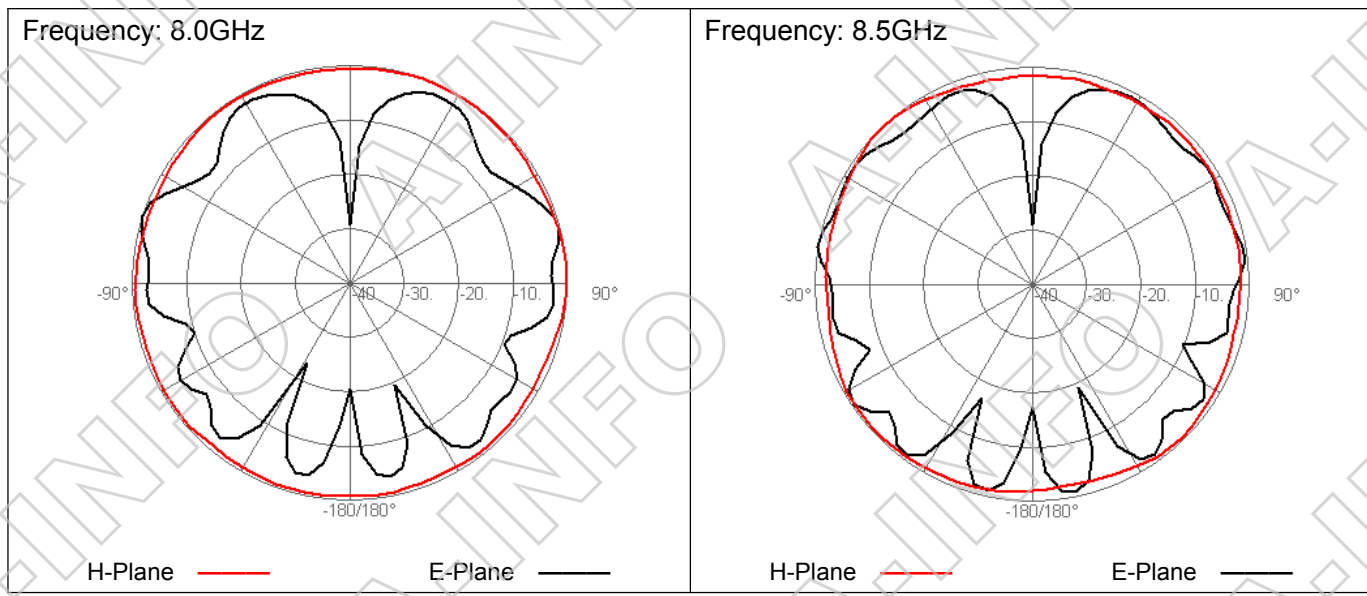
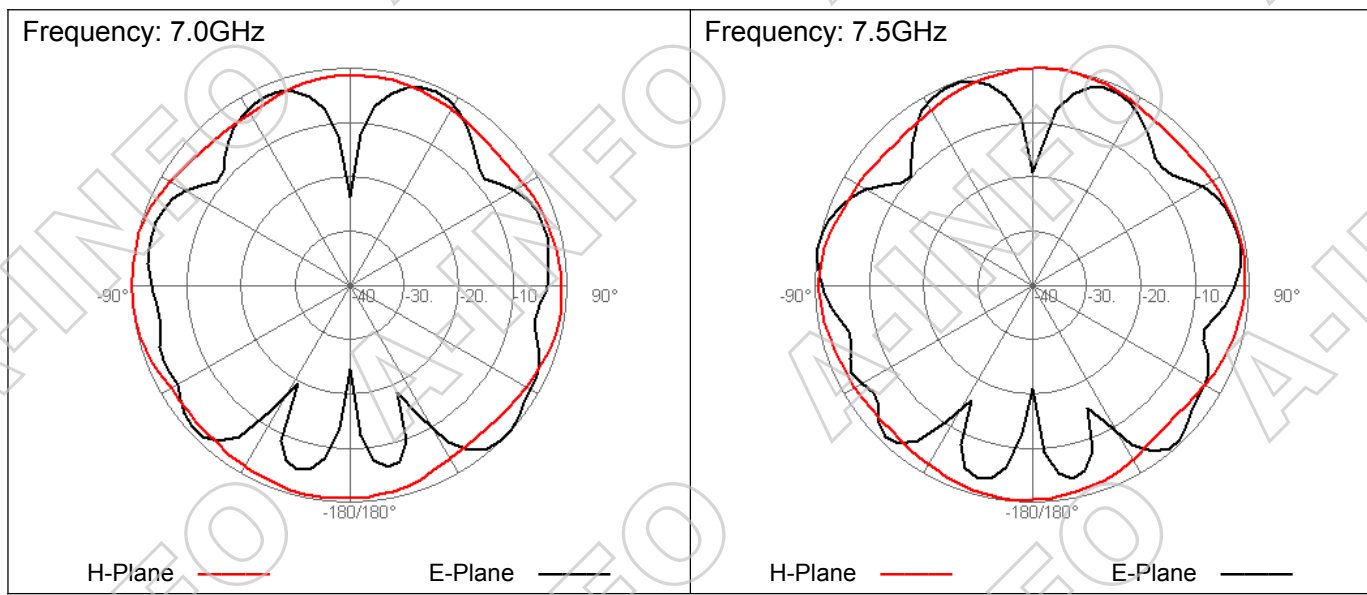
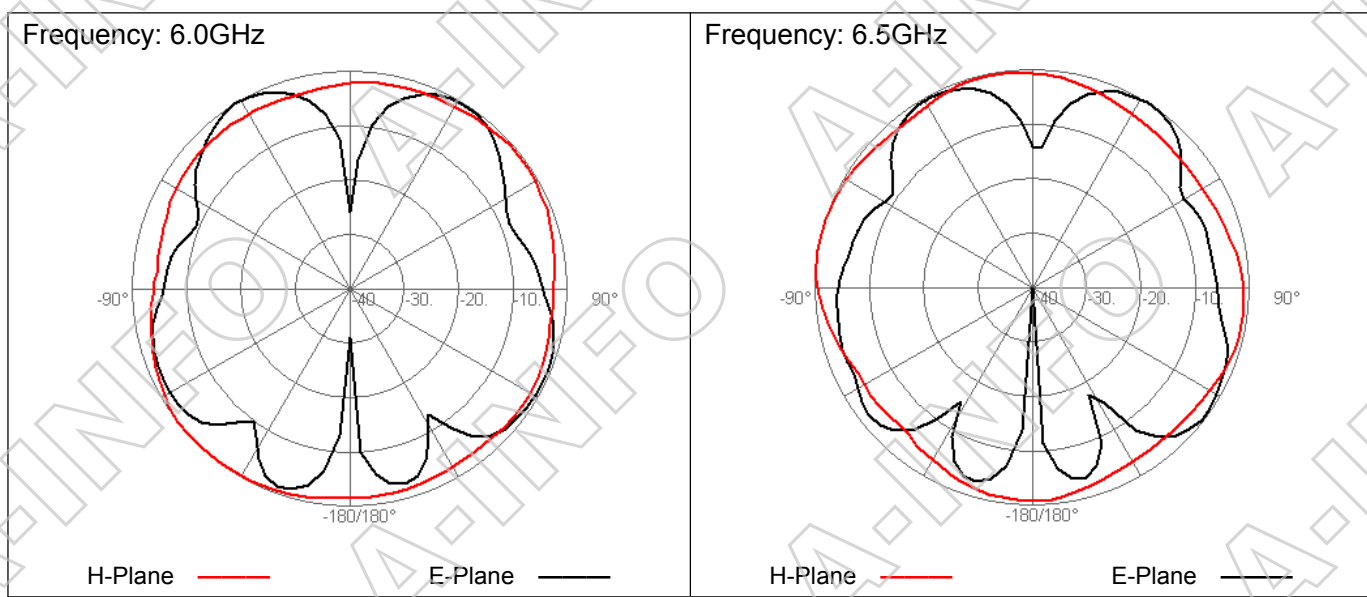


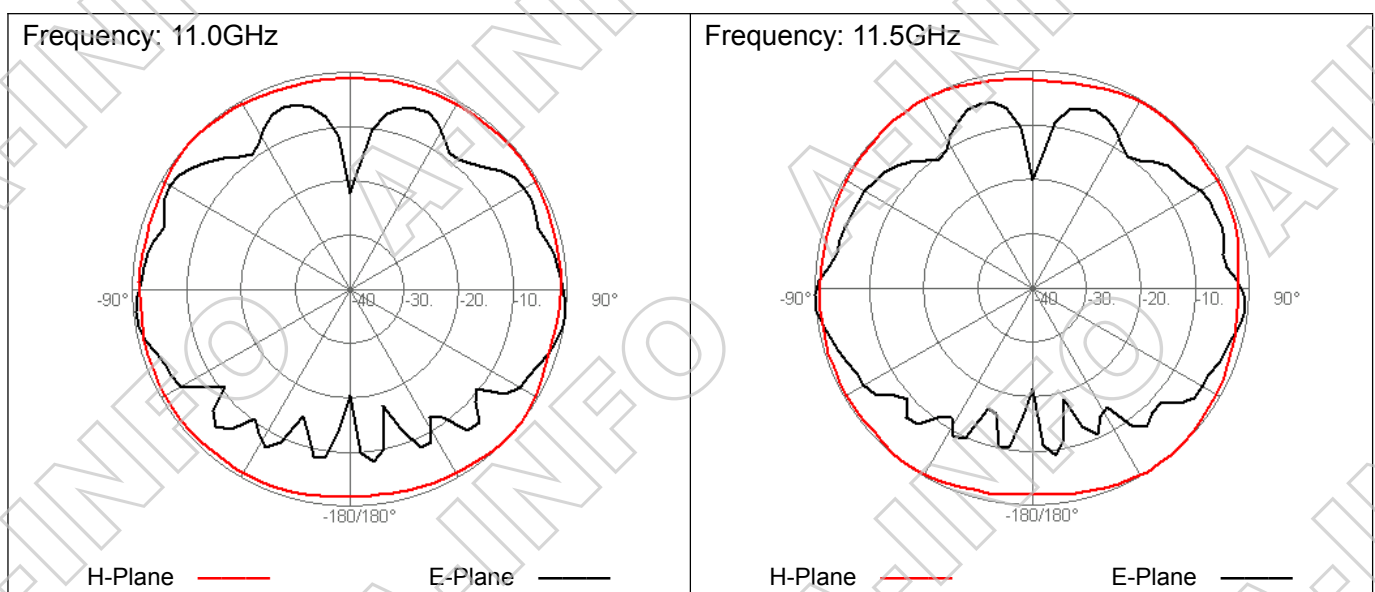
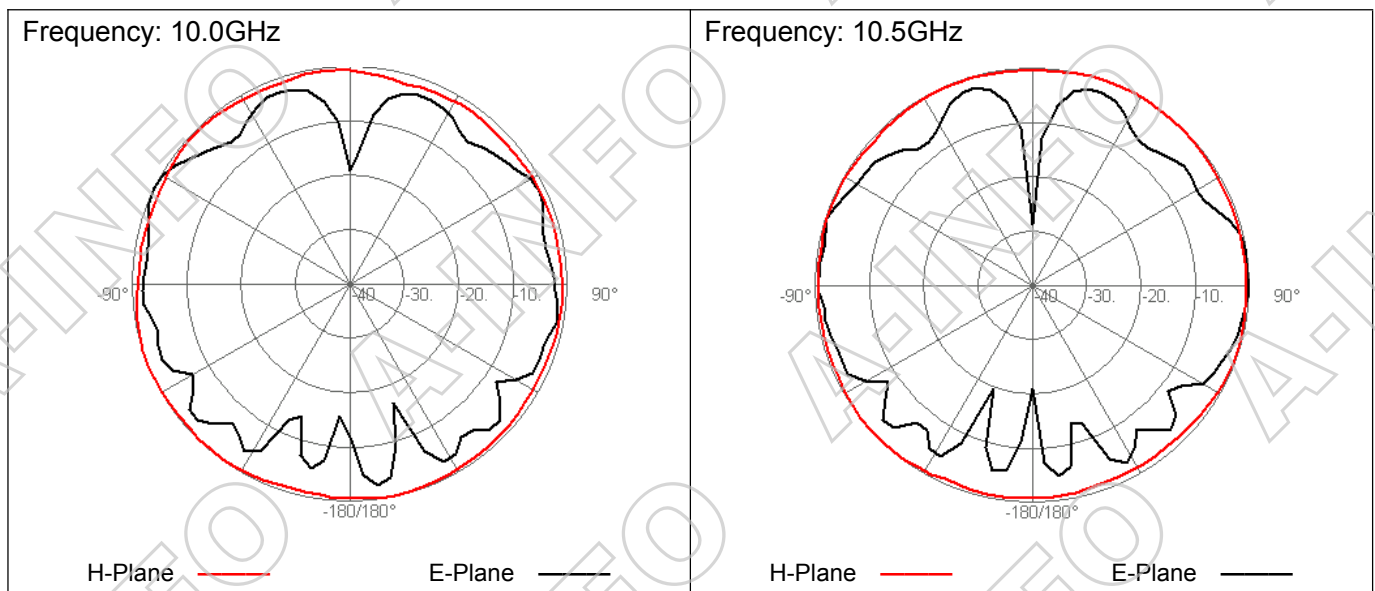
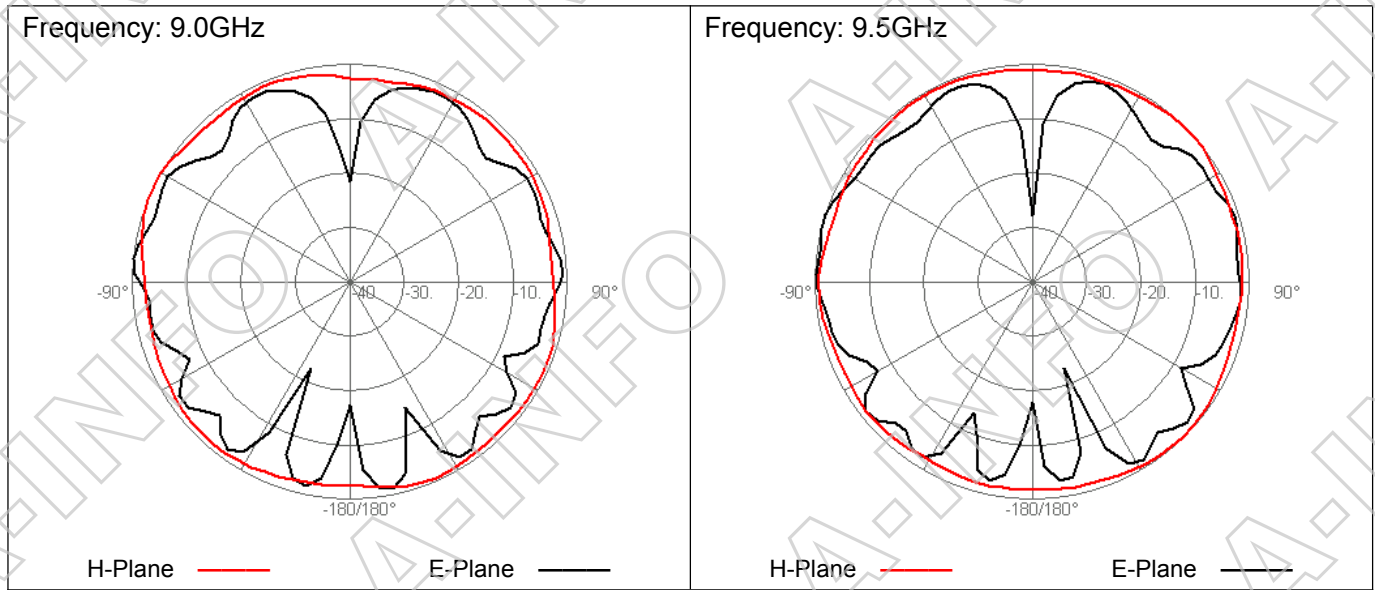
H-Plane ——— E-Plane ———

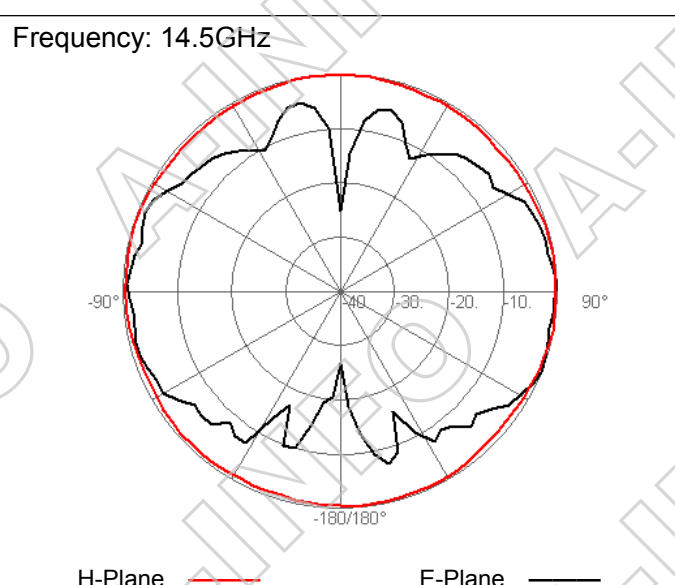
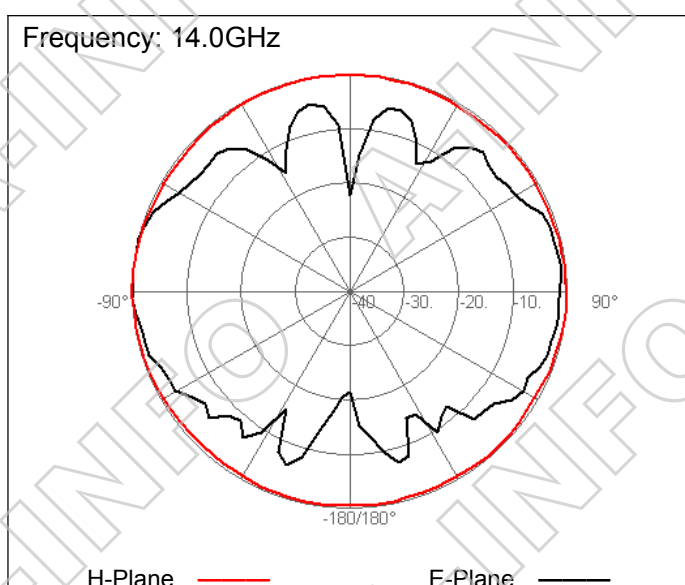
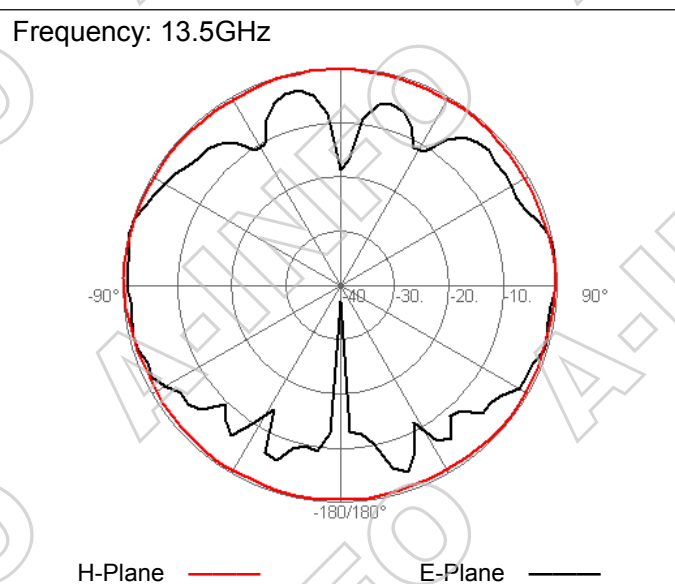
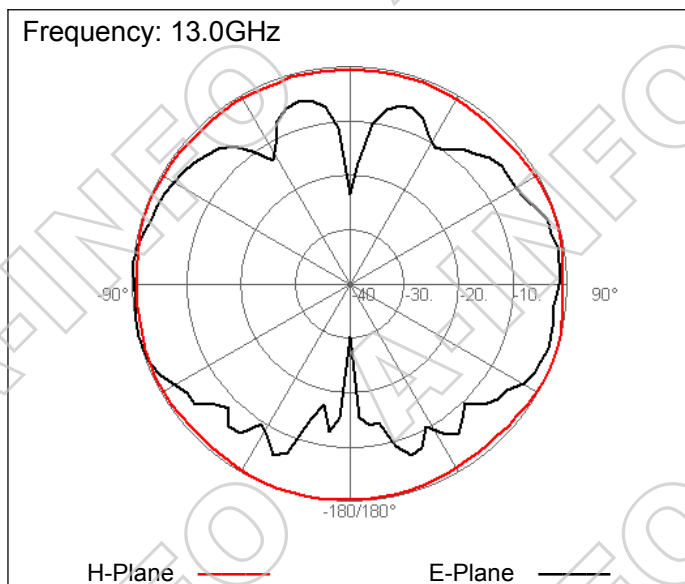
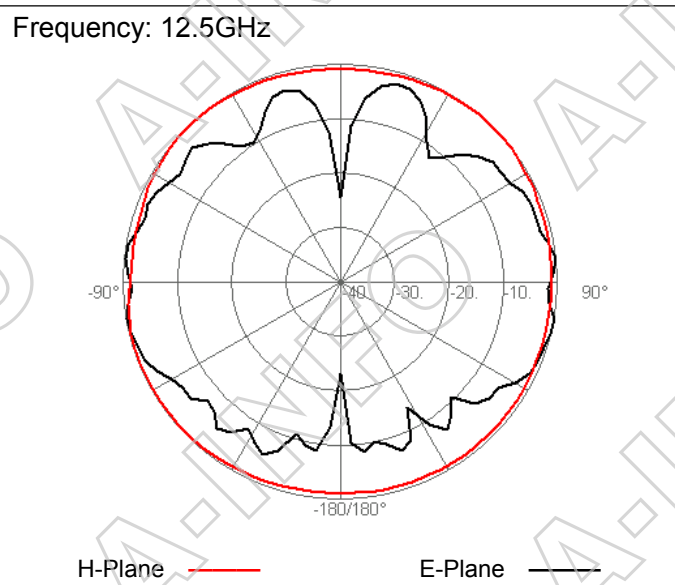
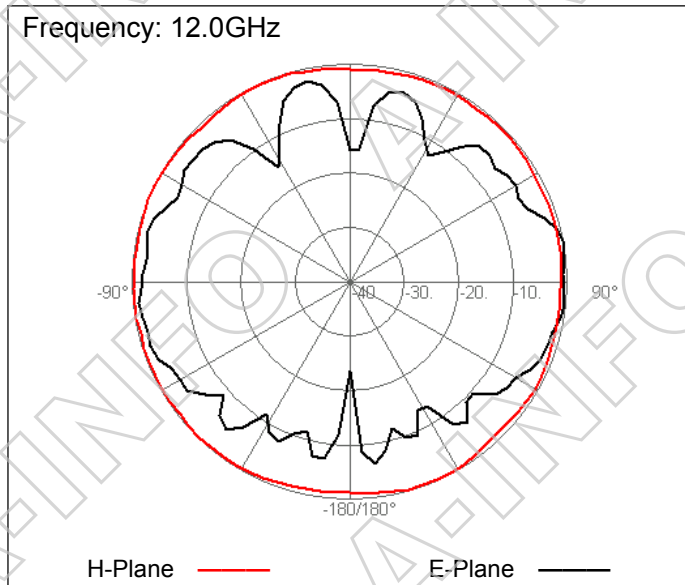
Frequency: 5.5GHz

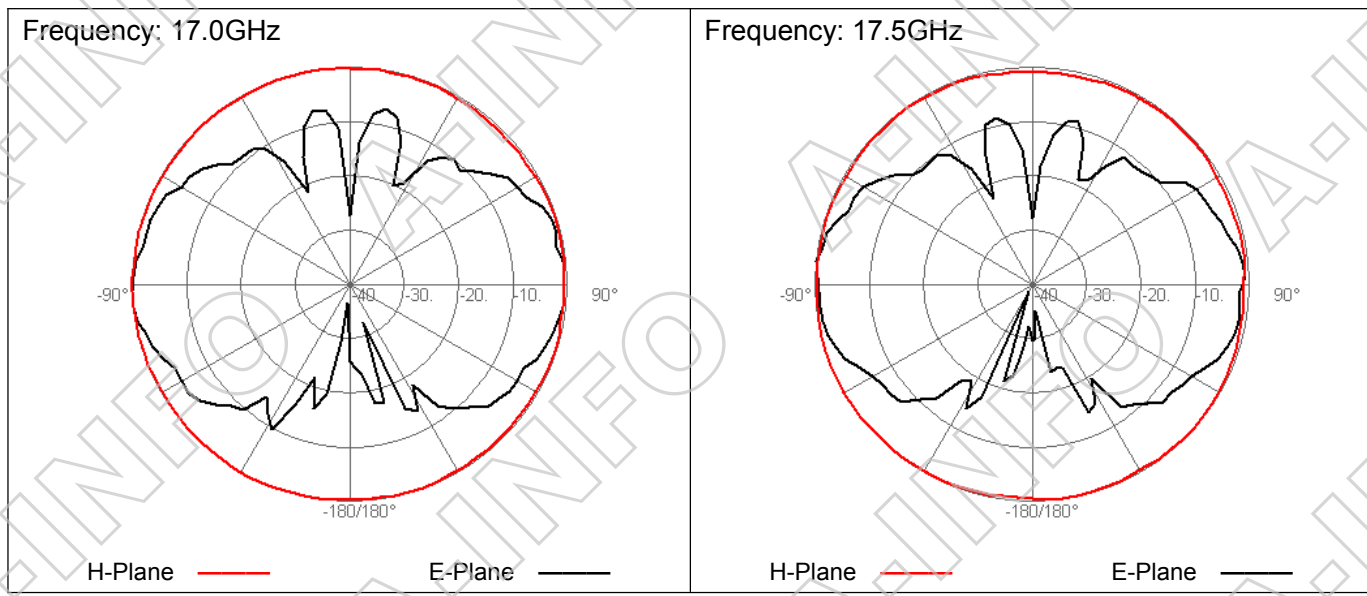
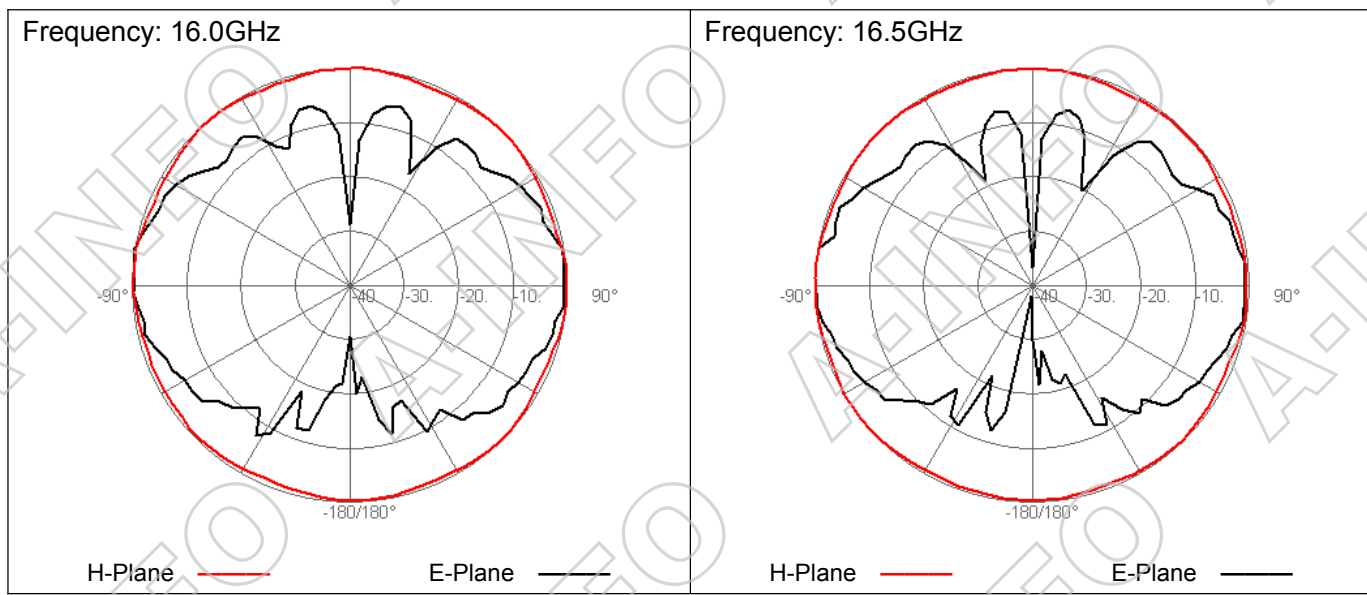
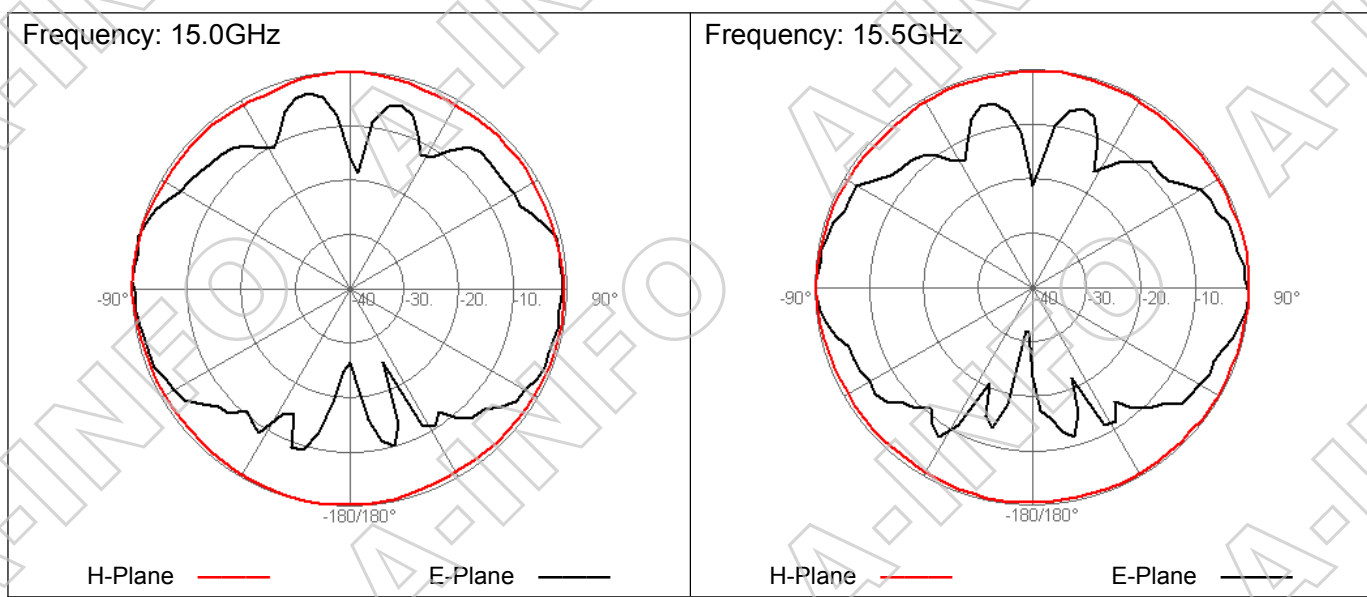


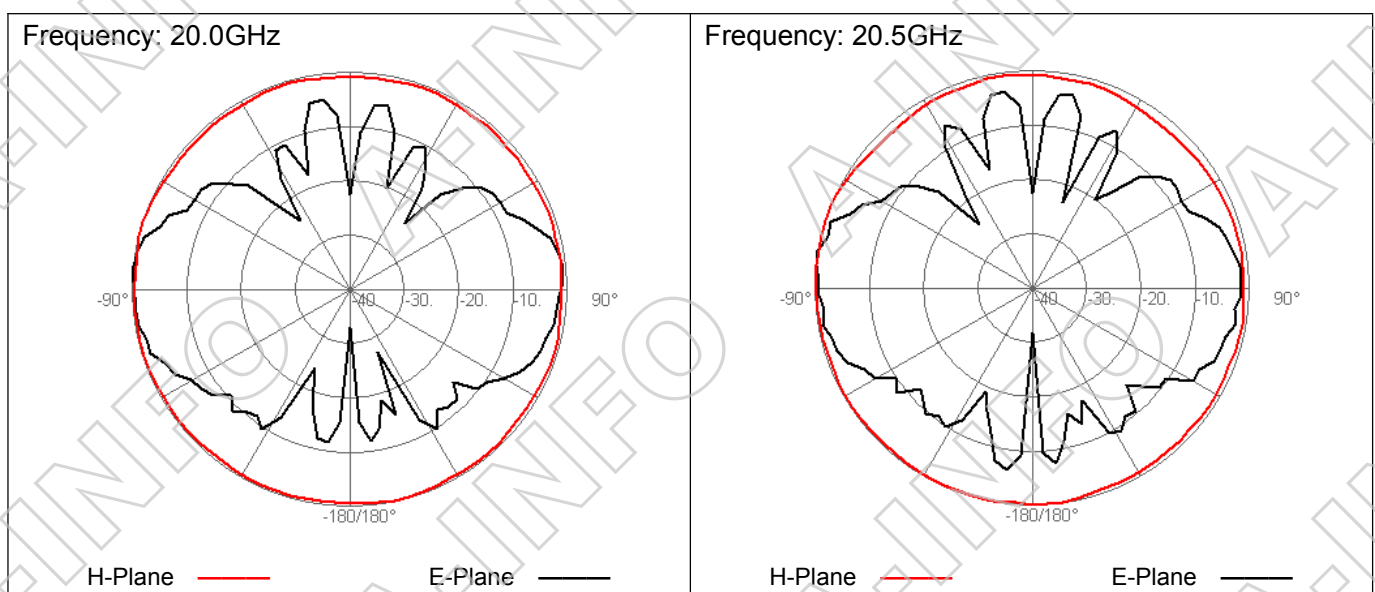
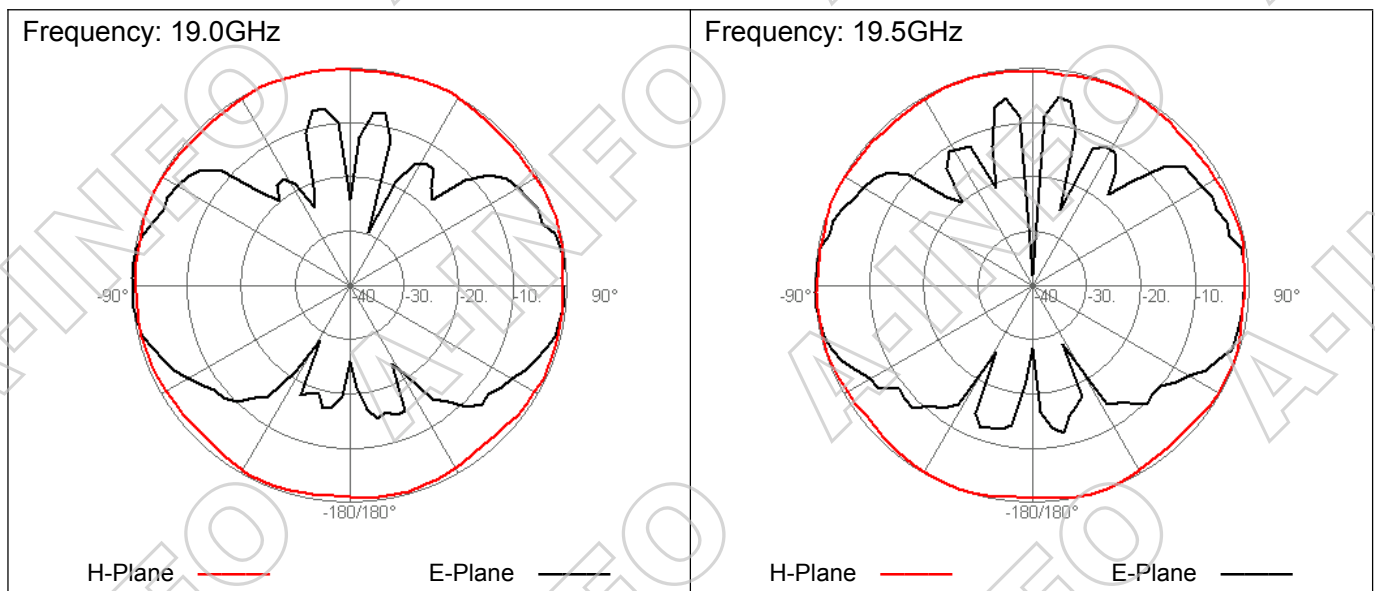
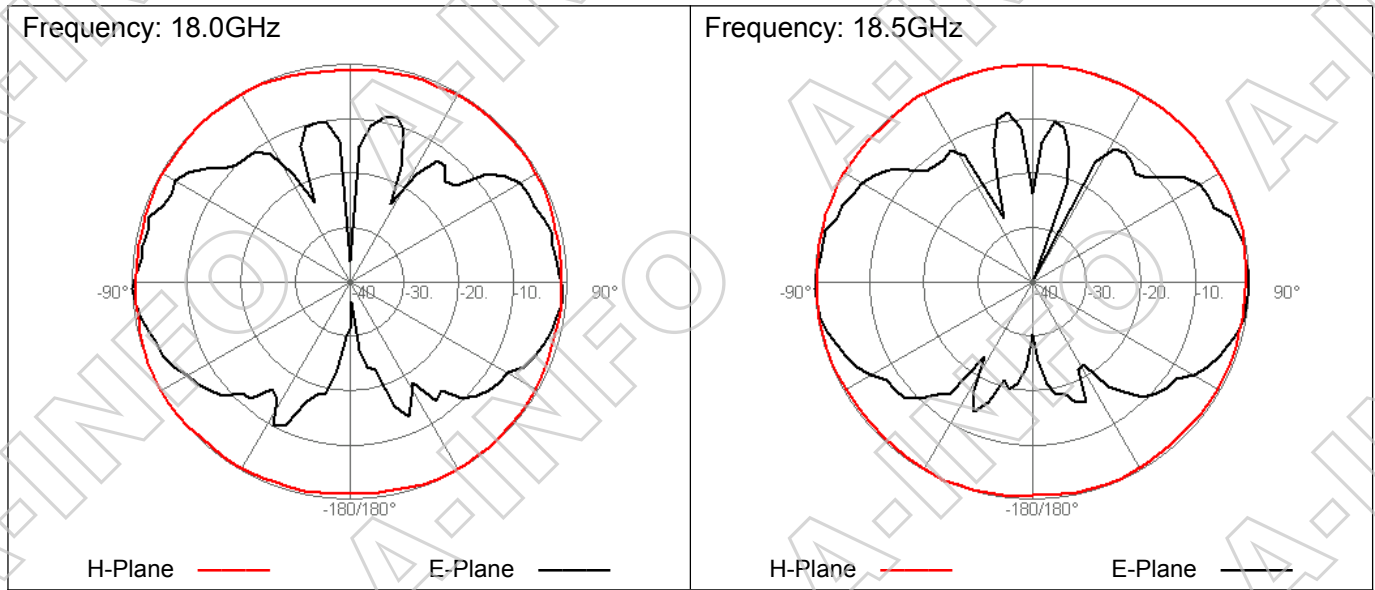
H-Plane ——— E-Plane ———



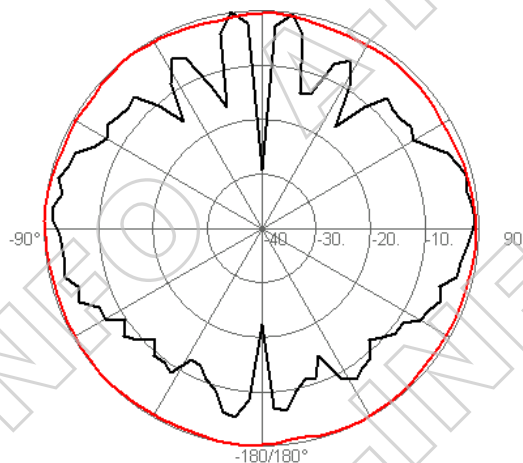






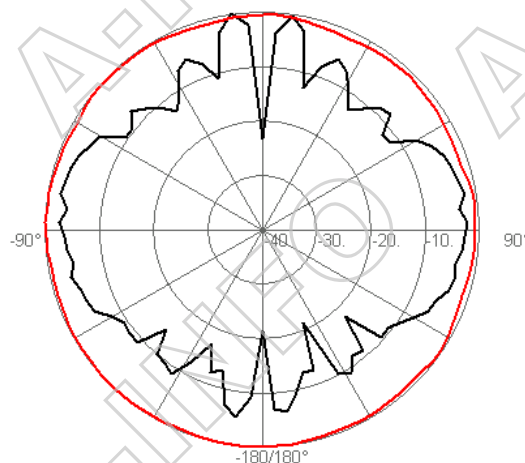


Frequency: 21.0GHz



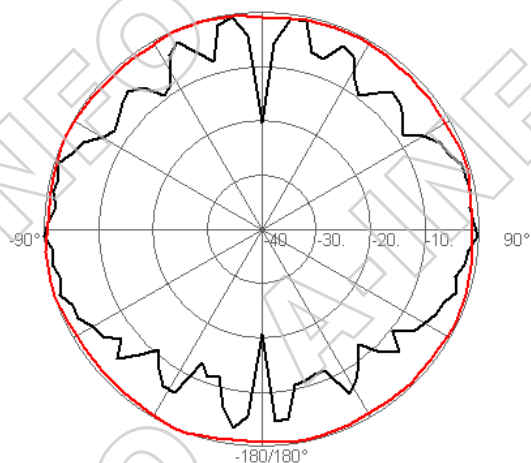
H-Plane — E-Plane —

Frequency: 21.5GHz



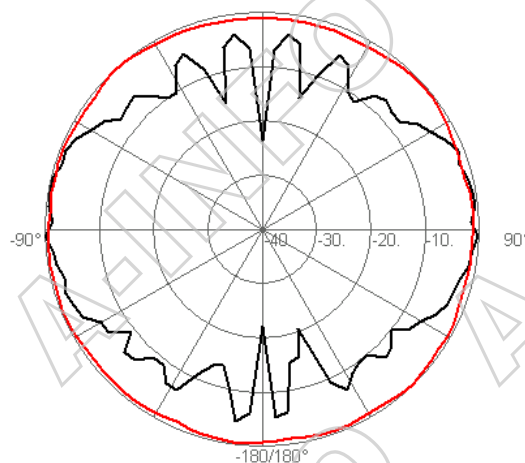
H-Plane — E-Plane —

Frequency: 22.0GHz



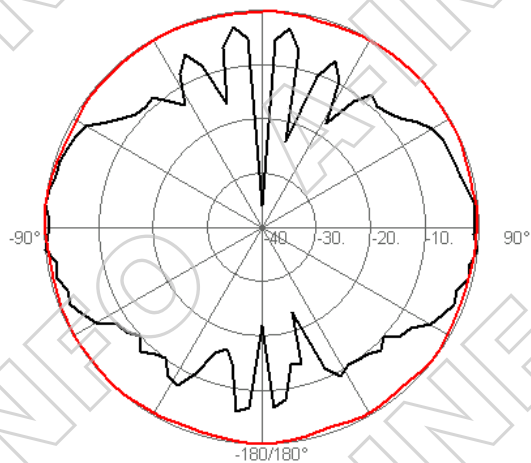
H-Plane — E-Plane —

Frequency: 22.5GHz



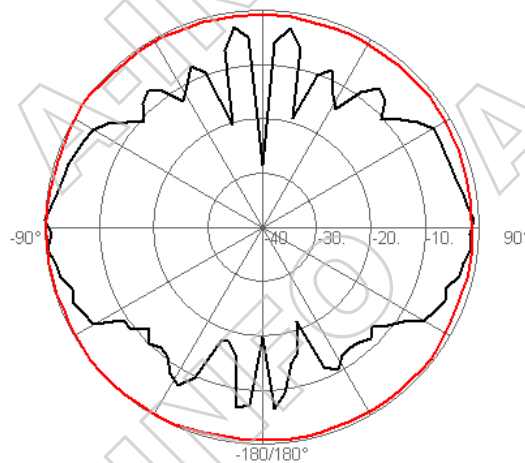
H-Plane — E-Plane —

Frequency: 23.0GHz



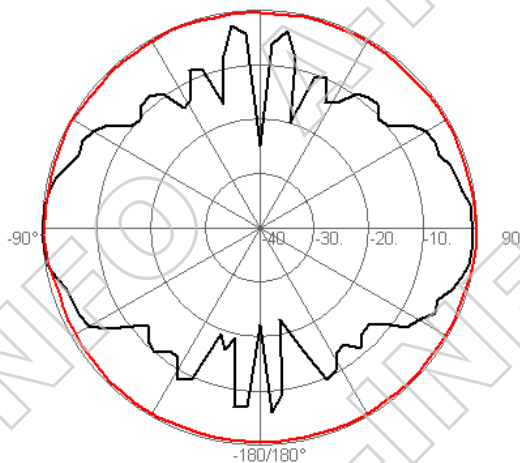
H-Plane — E-Plane —

Frequency: 23.5GHz



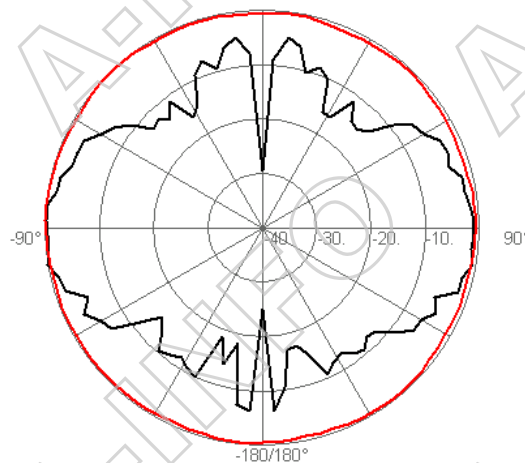
H-Plane — E-Plane —

Frequency: 24.0GHz



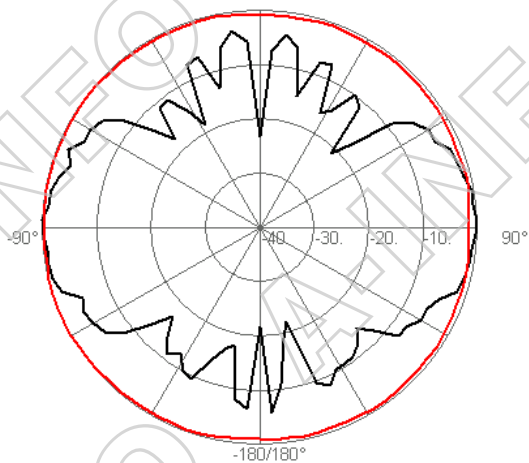
H-Plane — E-Plane —

Frequency: 24.5GHz



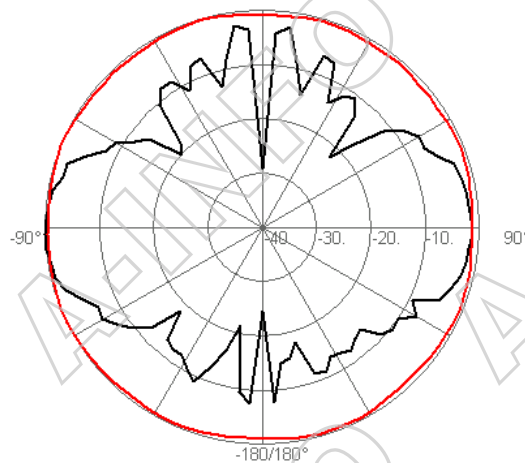
H-Plane — E-Plane —

Frequency: 25.0GHz



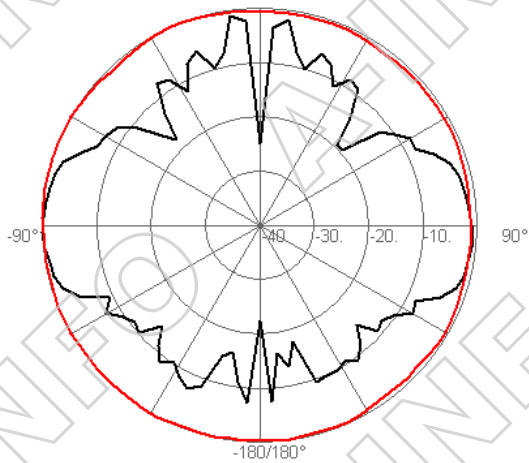
H-Plane — E-Plane —

Frequency: 25.5GHz



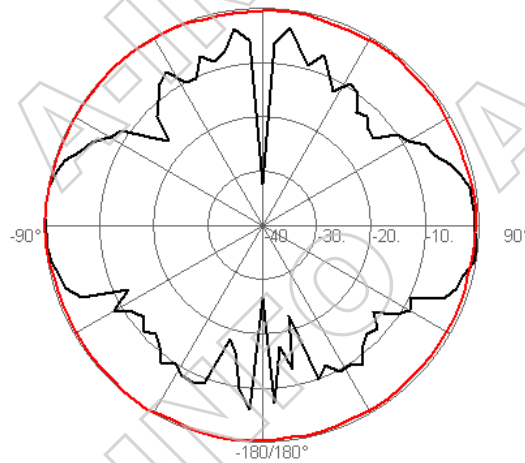
H-Plane — E-Plane —

Frequency: 26.0GHz

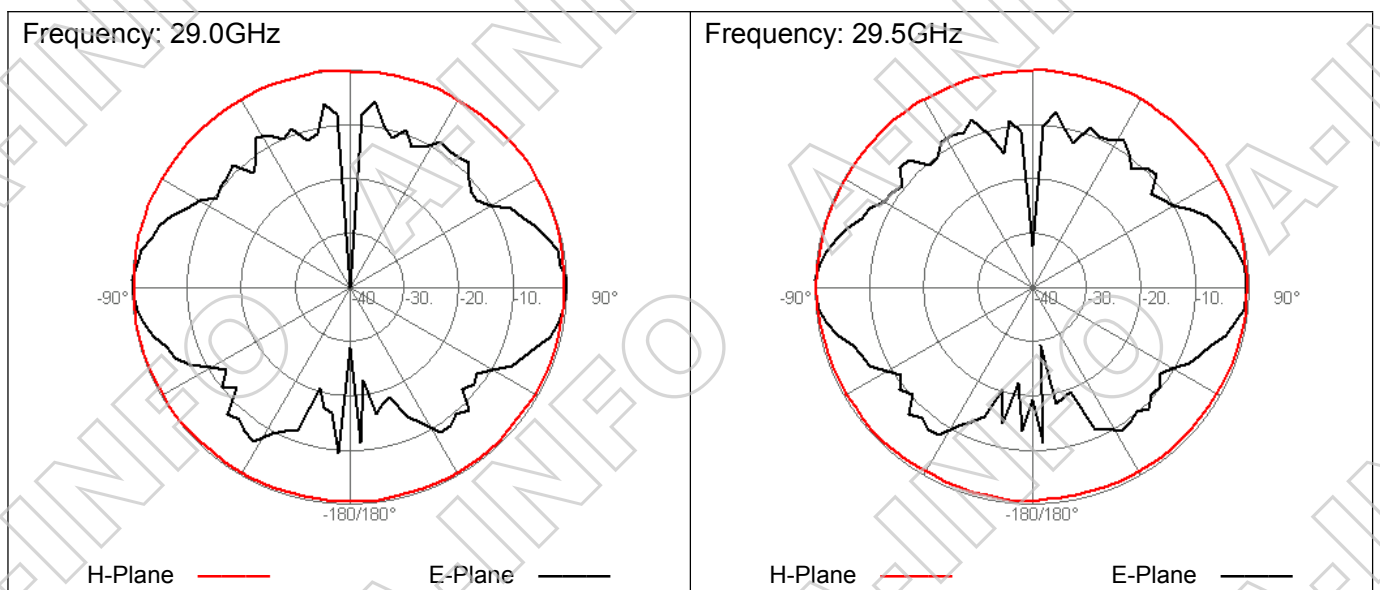
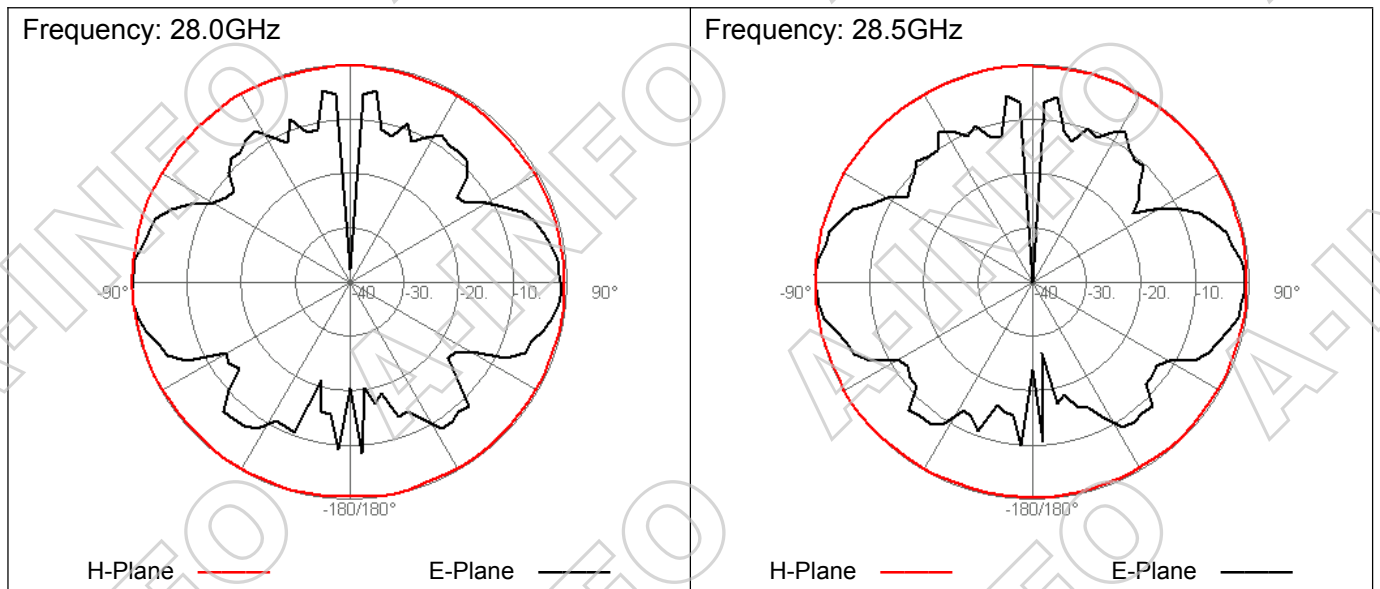
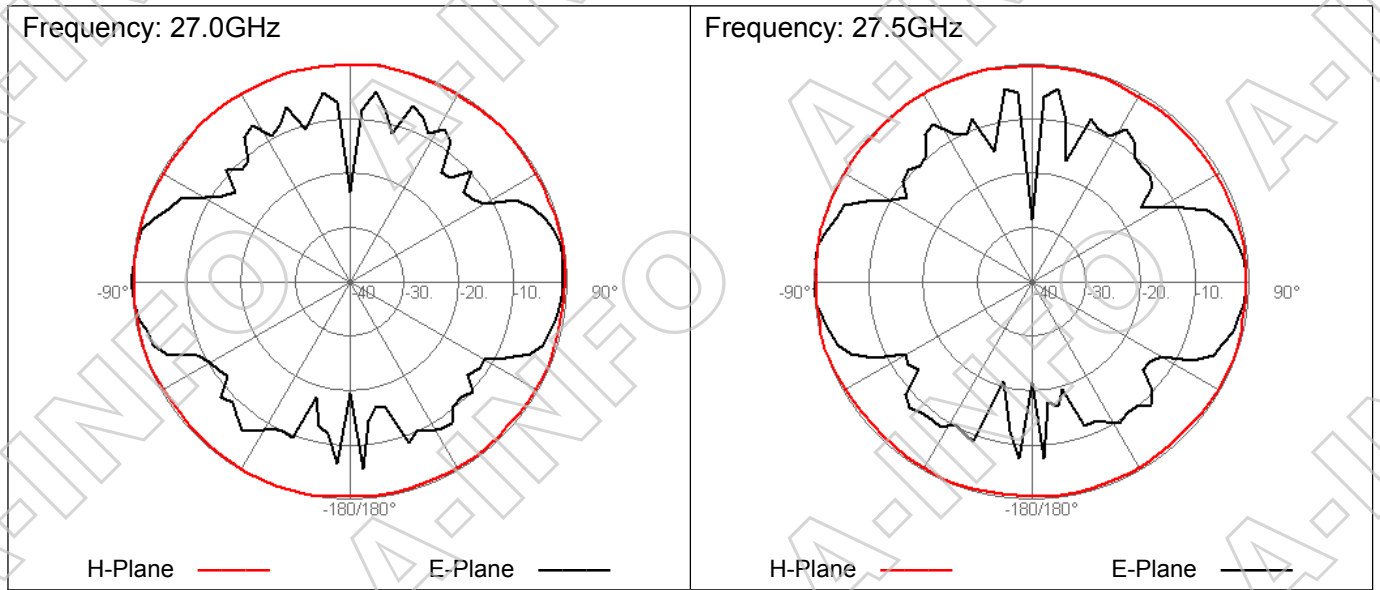


H-Plane — E-Plane —

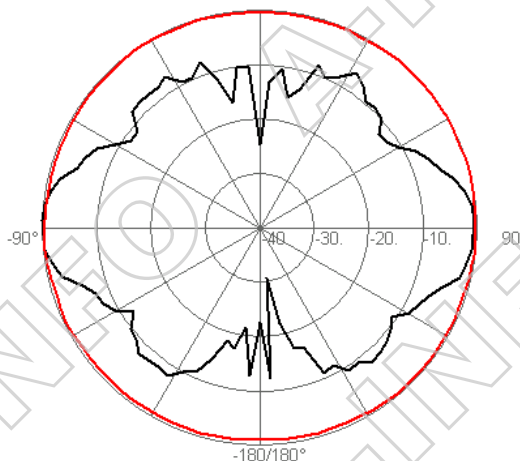
Frequency: 26.5GHz



H-Plane — E-Plane —

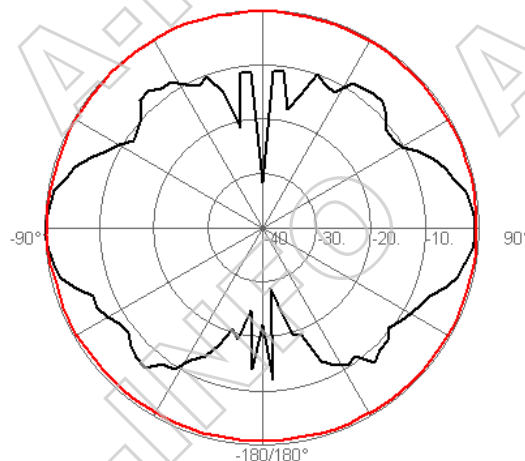


Frequency: 30.0GHz



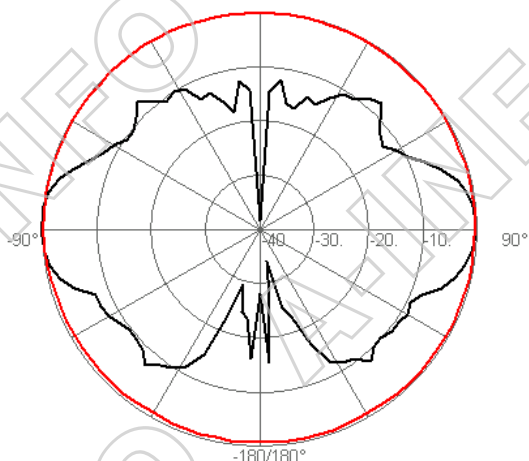
H-Plane — E-Plane —

Frequency: 30.5GHz



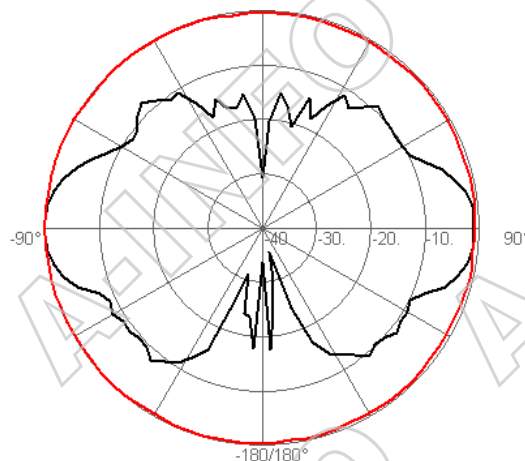
H-Plane — E-Plane —

Frequency: 31.0GHz



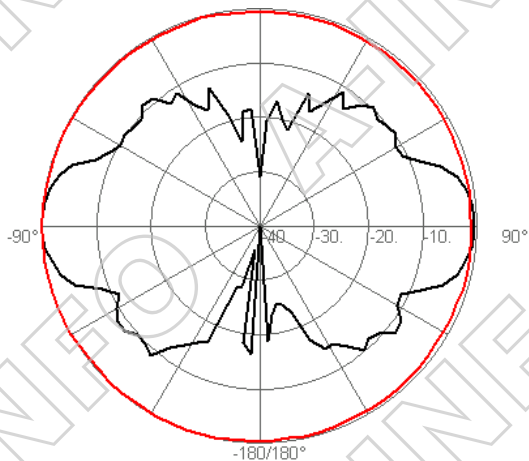
H-Plane — E-Plane —

Frequency: 31.5GHz



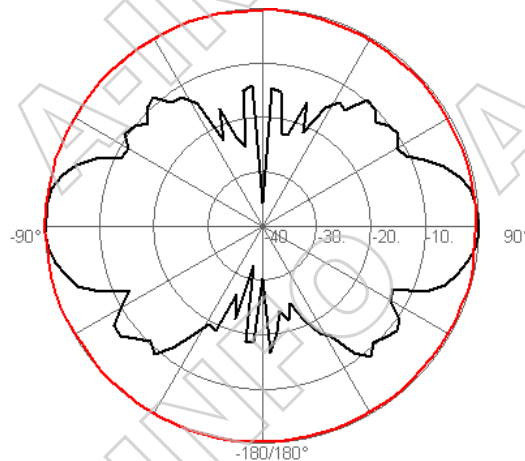
H-Plane — E-Plane —

Frequency: 32.0GHz



H-Plane — E-Plane —

Frequency: 32.5GHz



H-Plane — E-Plane —

