

19WET_Cu WR19 Waveguide E-Plane Tee 40-60GHz with Three Rectangular Waveguide Interfaces

WR19 Waveguide E-Plane Tee Operating From 40 to 60GHz with Three Rectangular Waveguide Interfaces



Product Information

SKU	19WET_Cu
-----	----------

Description

Waveguide E-plane tee 19WET_Cu, operating from 40 to 60GHz with a 0.5dB insertion loss and low VSWR 1.50:1. 19WET_Cu is a three-ports waveguide connector. All the ports have standard WR19 waveguides with the same flanges FUGP500(UG-383/U-M). The waveguide E-plane tees are used to separate the signal at E plane rectangular port into the collinear arm with the two rectangular waveguide ports or synthesize the signal from the two ports of the collinear arm into the E plane port.

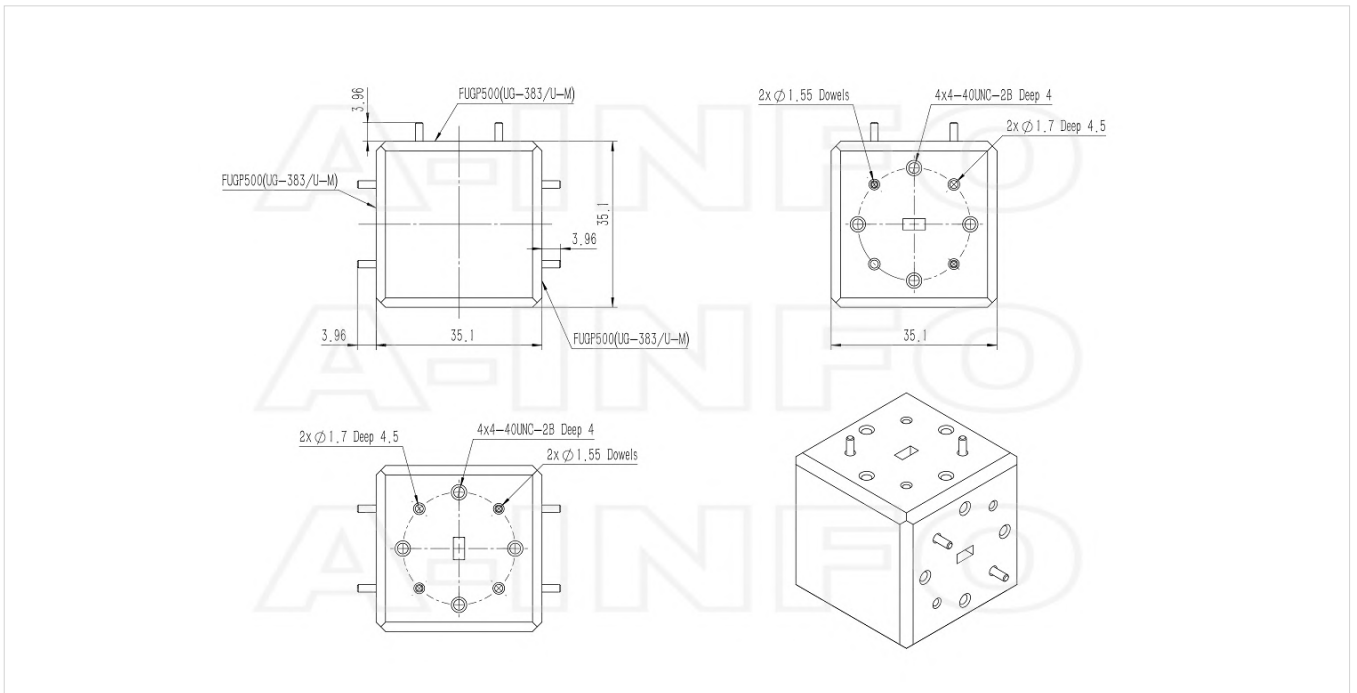
Technical Specification

Electrical Specification		Interface	
WG Tee Type	E-Plane Tee	Flange 3 Style	Round
Waveguide Band	U	Flange 3 Type	Cover
Waveguide Type	Rectangular	Flange 3 Designation	FUGP500(UG-383/U-M)
Waveguide Size EIA WR	WR19	Mechanical Specification	
Frequency, Min (GHz)	40	Body Material	Cu
Frequency, Max (GHz)	60	Finish	Gold Plated
I.L., Typ (dB)	0.5	Size, L (mm)	35.1
I.L., Max (dB)	0.8	Size, W (mm)	35.1
VSWR, Typ	1.50:1	Size, H (mm)	35.1
Amplitude Balance, Max (\pm dB)	0.4	Weight, (kg)	0.34
Phase Balance, Max (Deg.)	5	Pressure Sealed	No
Power Handling, CW, (W)	18	Environmental Specification	
Power Handling, Peak, (KW)	10	Operating Temp. Low ($^{\circ}$ C)	-55
Interface		Operating Temp. High ($^{\circ}$ C)	85
Flange 1 Style	Round	Storage Temp. Low ($^{\circ}$ C)	-60
Flange 1 Type	Cover	Storage Temp. High ($^{\circ}$ C)	90
Flange 1 Designation	FUGP500(UG-383/U-M)		
Flange 2 Style	Round		
Flange 2 Type	Cover		
Flange 2 Designation	FUGP500(UG-383/U-M)		

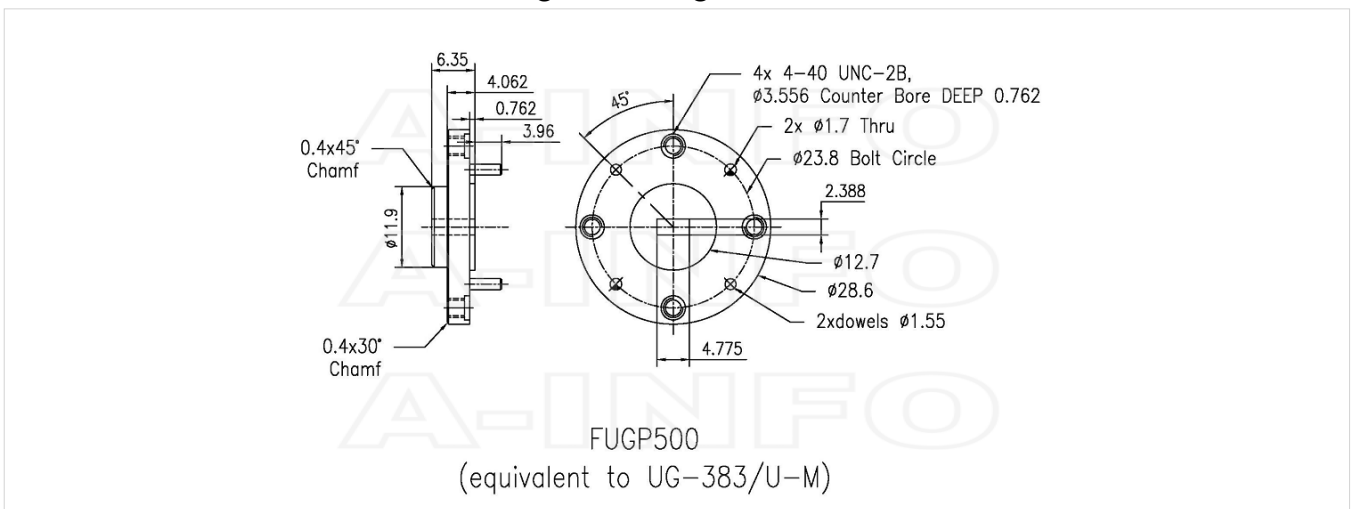
Additional Information

Application	General Purpose Indoor & Outdoor, Fixed
-------------	---

Outline Drawing(Size: mm)

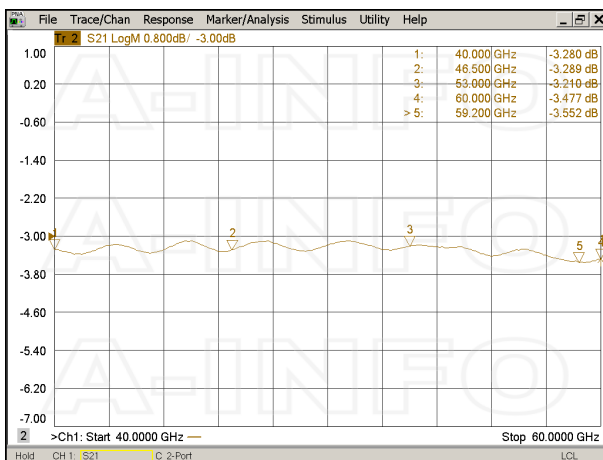


Flange Drawing(Size: mm)

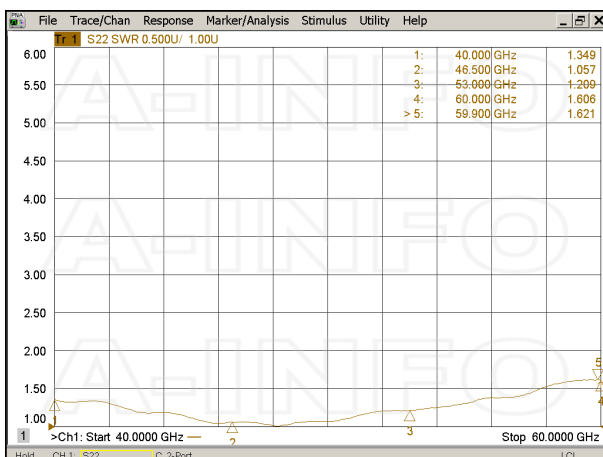


Typical Test Results

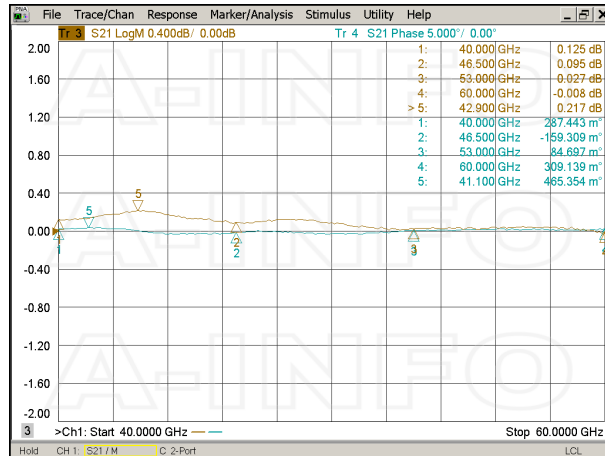
Insertion Loss(Including the theoretical loss 3.0dB)



VSWR



Amplitude Balance & Phase Balance



Similar Products



19WMT_Cu WR19 Waveguide Magic Tee 40-60GHz with Four Rectangular Waveguide Interfaces



22WMT_Cu WR22 Waveguide Magic Tee 33-50GHz with Four Rectangular Waveguide Interfaces



22WET_Cu WR22 Waveguide E-Plane Tee 33-50GHz with Three Rectangular Waveguide Interfaces



15WMT_Cu WR15 Waveguide Magic Tee 50-75GHz with Four Rectangular Waveguide Interfaces



15WET_Cu WR15 Waveguide E-Plane Tee 50-75GHz with Three Rectangular Waveguide Interfaces

About this Datasheet

<ul style="list-style-type: none">● Product Information Product Link: https://www.ainfoinc.com/19wet-cu-wr19-waveguide-e-plane-tee-40-60-ghz-fugp500-ug-383-u-m Data subject to change without notice. © A-INFO INC. 2024. All Rights Reserved	<ul style="list-style-type: none">● Contact Us Address: 60 Tesla, Irvine, CA 92618, USA Website: www.ainfoinc.com Email: sales@ainfoinc.com	<ul style="list-style-type: none">● Phone & Fax Phone: +1-949-639-9688 +1-949-639-9608 Fax: +1-949-639-9670
--	--	--