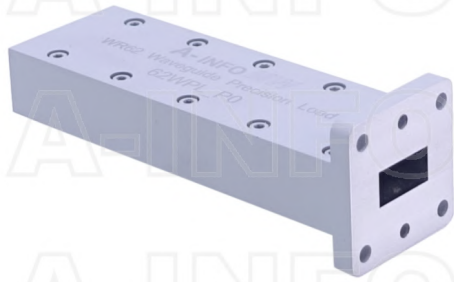


62WPL_P0 WR62 Waveguide Precision Load 12.4-18GHz with Rectangular Waveguide Interface

WR62 Waveguide Precision Load Operating From 12.4 to 18GHz with Rectangular Waveguide Interface



Product Information

SKU	62WPL_P0
-----	----------

Description

Waveguide precision load 62WPL_P0, operating from 12.4 to 18GHz and low VSWR 1.02:1. 62WPL_P0 covers the 62WPL_P0 sub waveguide band and comes with one flange APF62. It can handle 1.5W continuously and 1.5KW peak power. A-INFO Precision Flange(APF) is available for this series. The WPL series low power waveguide fixed terminations are precision, low VSWR terminations suited to a wide variety of precision laboratory applications. The typical applications include full band one-Interface calibration and full two-Interface, isolation calibration. TRM (Thru-Reflect-Match) and SSLT (Short-Short-Load- Thru) calibration methods are supInterfaceed.

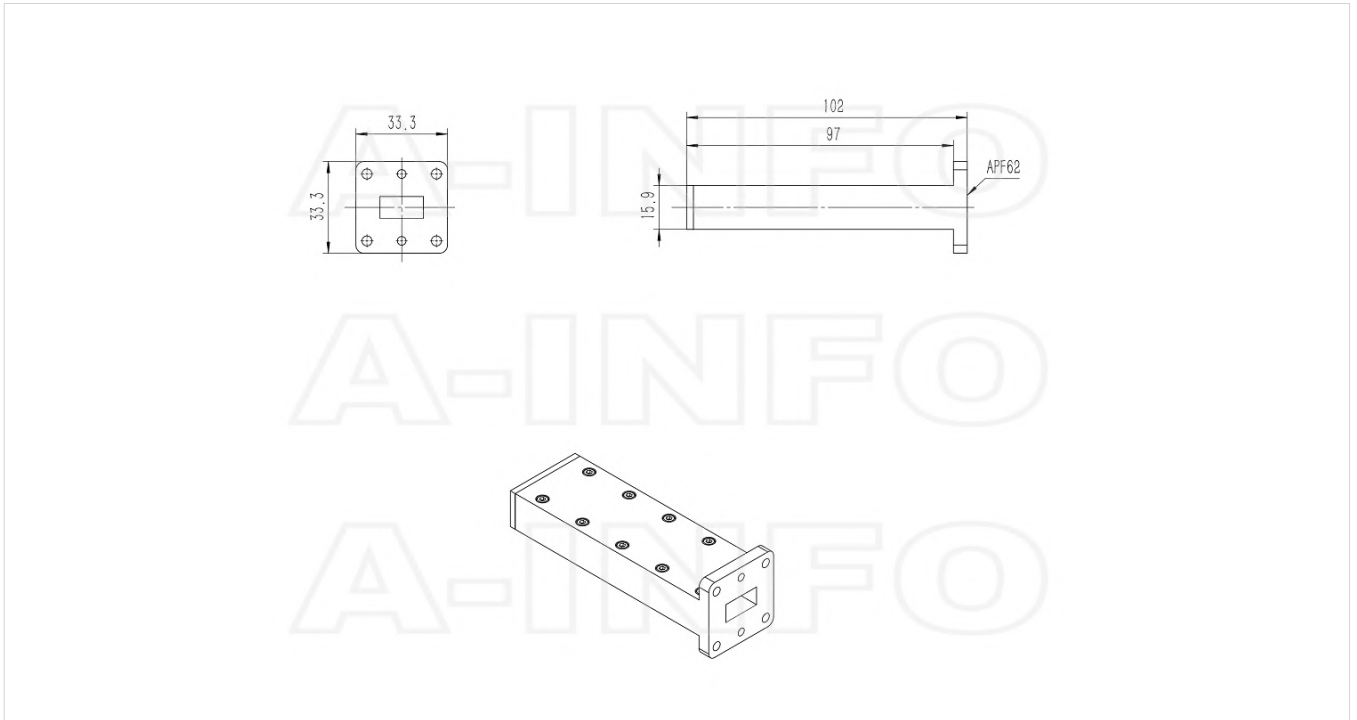
Technical Specification

Electrical Specification		Mechanical Specification	
WG Load Type	Precision	Body Material	Al
Waveguide Band	Ku	Size, L (mm)	102
Waveguide Type	Rectangular	Size, W (mm)	33.3
Waveguide Size EIA WR	WR62	Size, H (mm)	33.3
Frequency, Min (GHz)	12.4	Weight, (kg)	0.13
Frequency, Max (GHz)	18	Pressure Sealed	No
VSWR, Typ	1.015:1	Environmental Specification	
VSWR, Max	1.02:1	Operating Temp. Low (°C)	-55
Power Handling, CW, (W)	1.5	Operating Temp. High (°C)	85
Power Handling, Peak, (KW)	1.5	Storage Temp. Low (°C)	-60
Interface		Storage Temp. High (°C)	90
Flange Style	Square		
Flange Type	Cover		
Flange Designation	APF62		

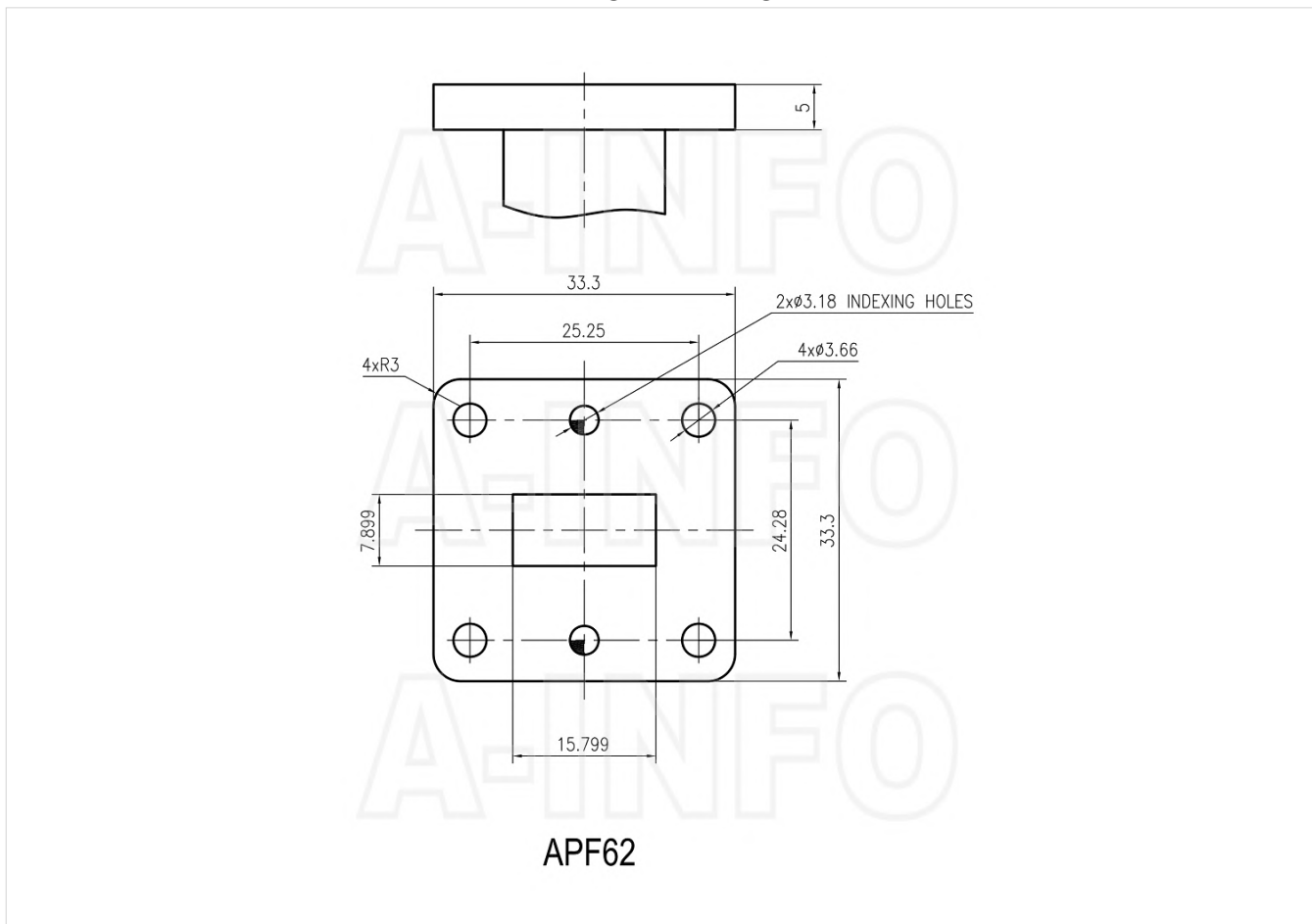
Additional Information

Application	General Purpose Indoor & Outdoor, Fixed
-------------	---

Outline Drawing

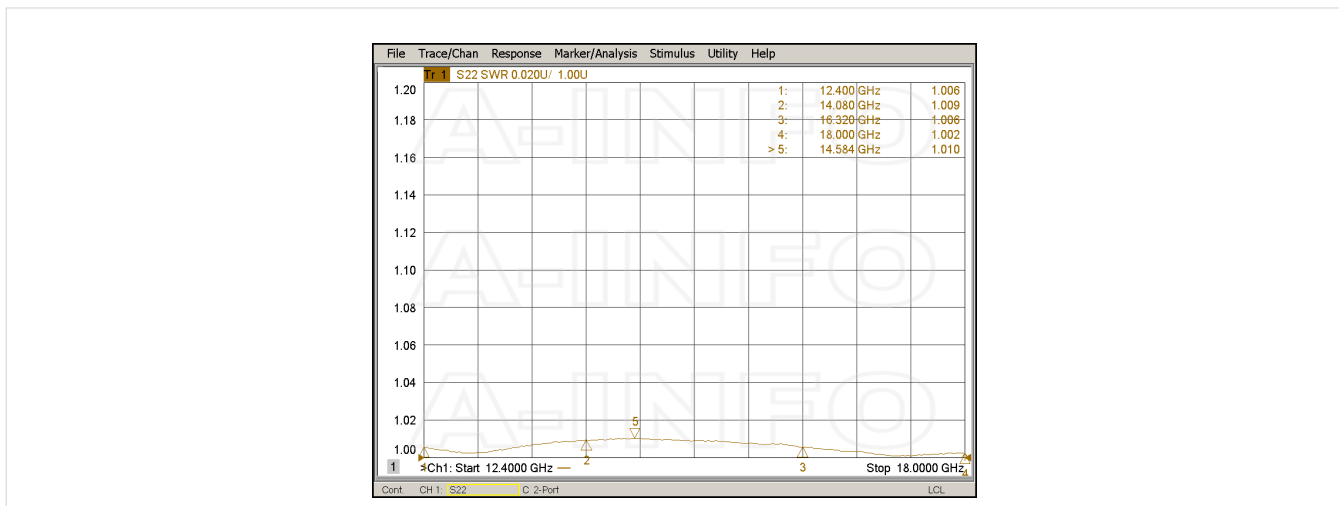


Flange Drawing



Typical Test Results

VSWR



About this Datasheet

<ul style="list-style-type: none">● Product Information Product Link: https://www.ainfoinc.com/62wpl-p0-wr62-waveguide-precision-load-12-4-18-ghz-apf62 Data subject to change without notice. © A-INFO INC. 2024. All Rights Reserved	<ul style="list-style-type: none">● Contact Us Address: 60 Tesla, Irvine, CA 92618, USA Website: www.ainfoinc.com Email: sales@ainfoinc.com	<ul style="list-style-type: none">● Phone & Fax Phone: +1-949-639-9688 +1-949-639-9608 Fax: +1-949-639-9670
---	--	---