



75WMT WR75 Waveguide Magic Tee 10-15GHz with Four Rectangular Waveguide Interfaces

WR75 Waveguide Magic Tee Operating From 10 to 15GHz with Four Rectangular Waveguide Interfaces

Product Information

SKU	75WMT
-----	-------

Description

Waveguide magic tee 75WMT, operating from 10 to 15GHz with a 0.4dB insertion loss, 40dB isolation, H-Plane VSWR 1.30:1 and E-Plane VSWR 1.50:1. 75WMT is a four-ports hybrid coupler or power divider. All the ports have standard WR75 waveguides with the same flanges FBP120(UBR120). The magic tee can be used as a power combiner or a power divider based on the given application's needs.

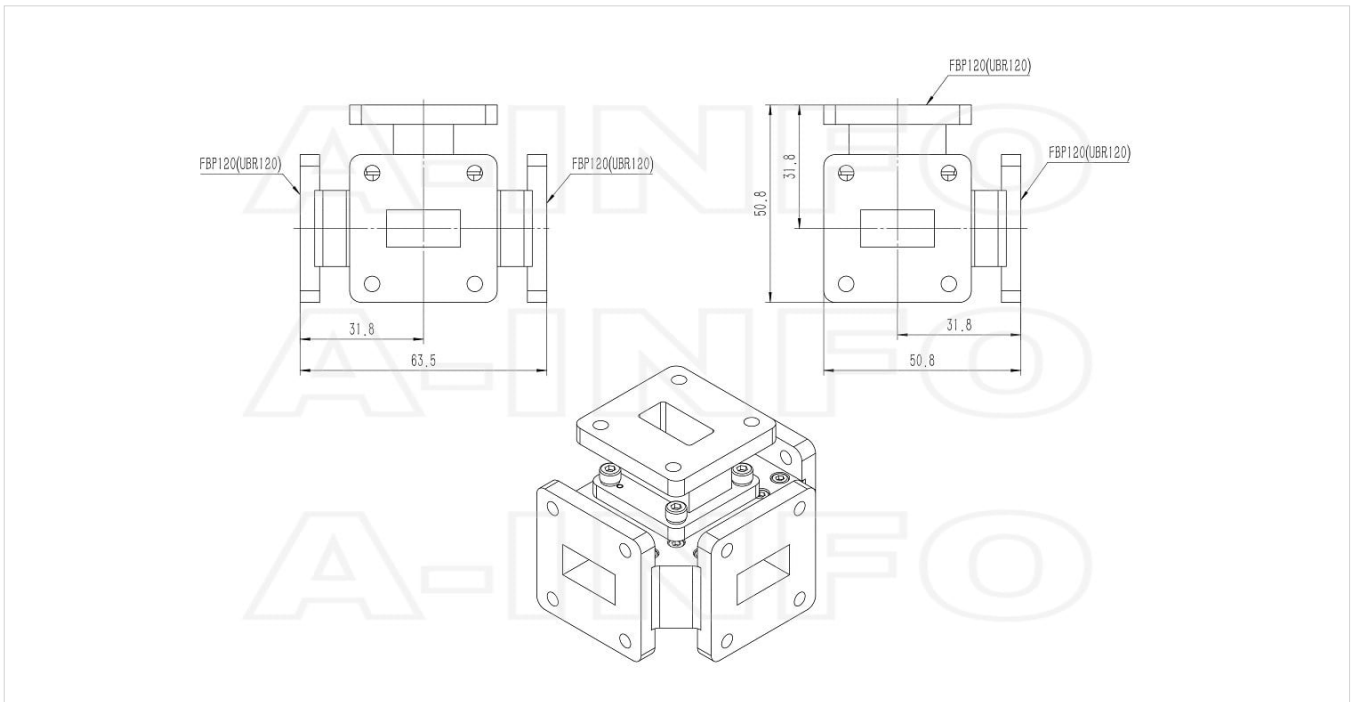
Technical Specification

Electrical Specification		Interface	
WG Tee Type	Magic Tee	Flange 3 Style	Square
Waveguide Band	X Ku	Flange 3 Type	Cover
Waveguide Type	Rectangular	Flange 3 Designation	FBP120(UBR120)
Waveguide Size EIA WR	WR75	Flange 4 Style	Square
Frequency, Min (GHz)	10	Flange 4 Type	Cover
Frequency, Max (GHz)	15	Flange 4 Designation	FBP120(UBR120)
I.L., Typ (dB)	0.4	Mechanical Specification	
I.L., Max (dB)	0.7	Body Material	Al
VSWR, H-Plane, Typ	1.3	Size, L (mm)	63.5
VSWR, H-Plane, Typ	1.30:1	Size, W (mm)	50.8
VSWR, E-Plane, Typ	1.5	Size, H (mm)	50.8
VSWR, E-Plane, Typ	1.50:1	Weight, (kg)	0.18
Isolation, Min (dB)	30	Pressure Sealed	No
Isolation, Typ (dB)	40	Environmental Specification	
Power Handling, CW, (W)	260	Operating Temp. Low (°C)	-55
Power Handling, Peak, (KW)	170	Operating Temp. High (°C)	85
Interface		Storage Temp. Low (°C)	-60
Flange 1 Style	Square	Storage Temp. High (°C)	90
Flange 1 Type	Cover		
Flange 1 Designation	FBP120(UBR120)		
Flange 2 Style	Square		
Flange 2 Type	Cover		
Flange 2 Designation	FBP120(UBR120)		

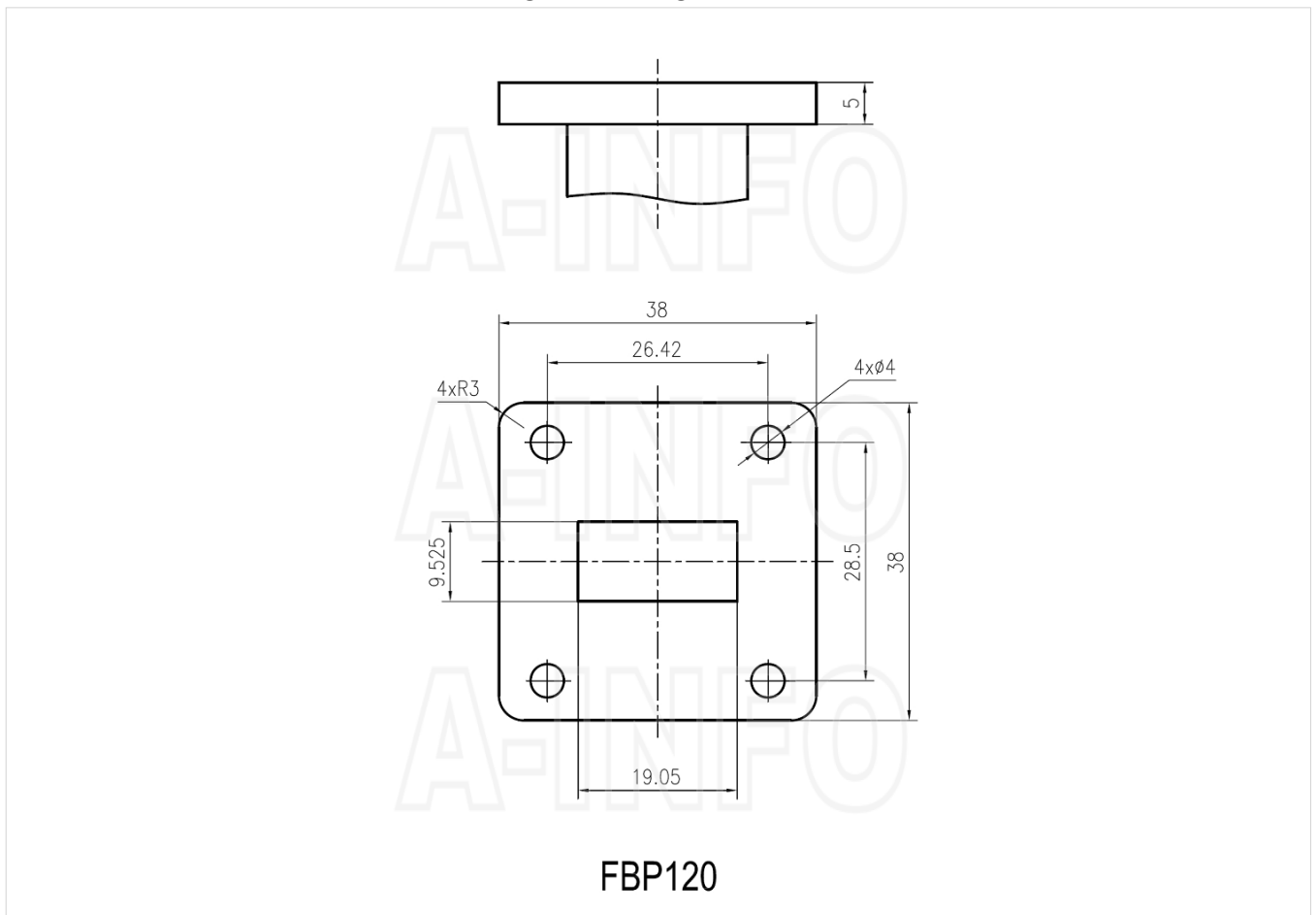
Additional Information

Application	General Purpose Indoor & Outdoor, Fixed
-------------	---

Outline Drawing(Size: mm)



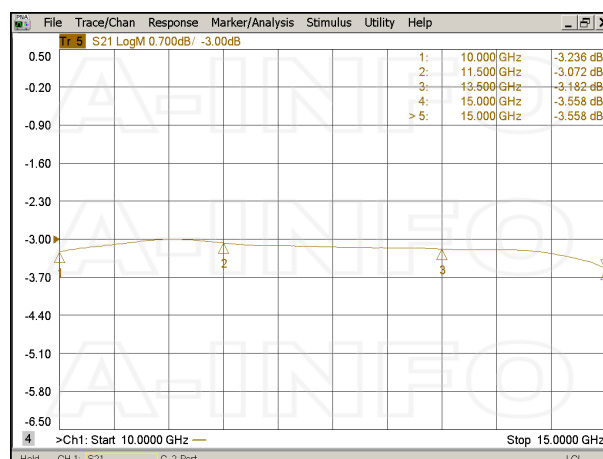
Flange Drawing(Size: mm)



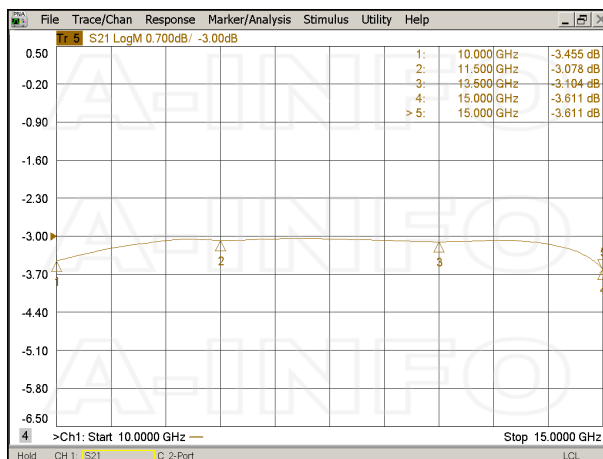
Typical Test Results

Insertion Loss(Including the theoretical loss 3.0dB)

E-Plane

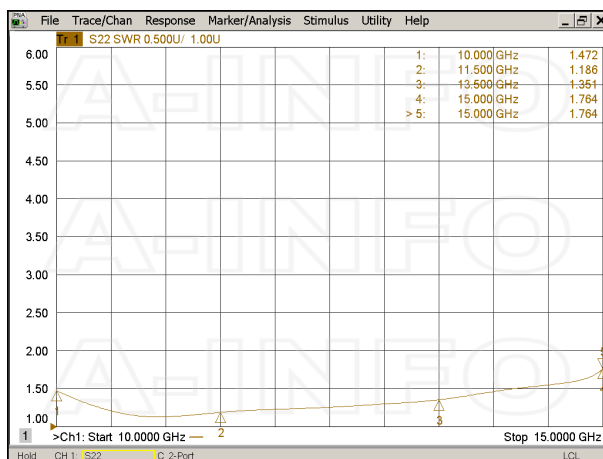


H-Plane

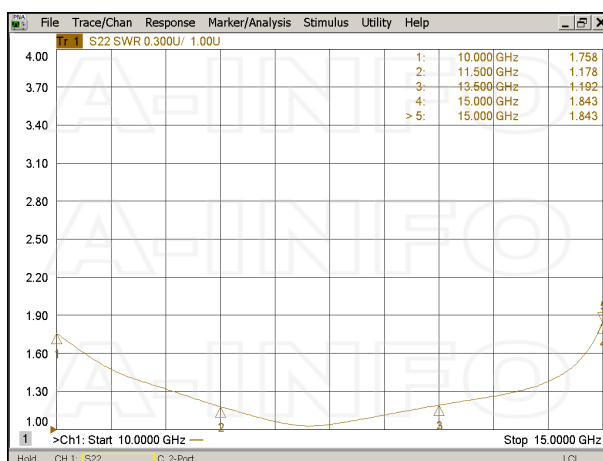


VSWR

E-Plane

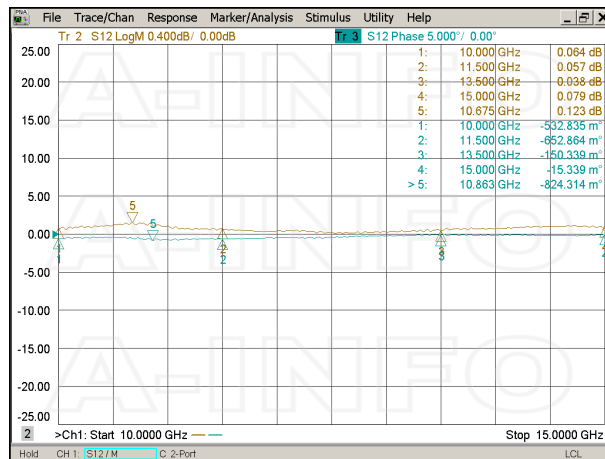


H-Plane

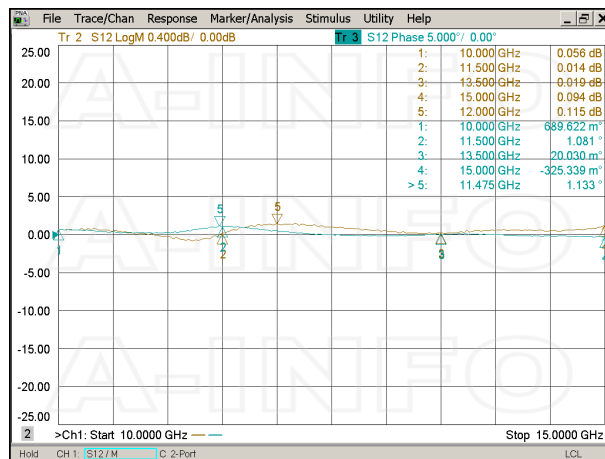


Unbalance

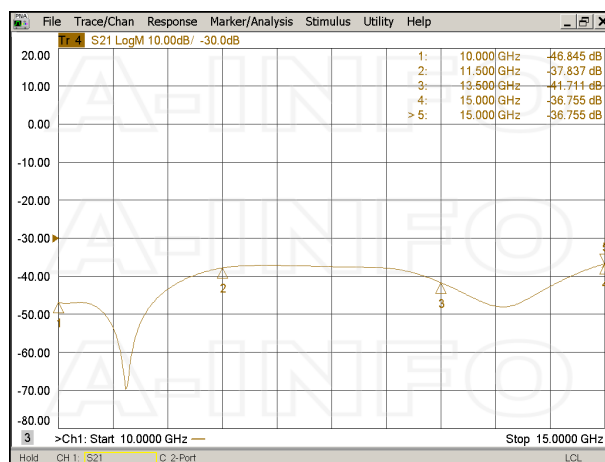
E-Plane



H-Plane



Isolation



Similar Products



62WET WR62 Waveguide E-Plane Tee 12.4-18GHz with Three Rectangular Waveguide Interfaces



62WHT WR62 Waveguide H-Plane Tee 12.4-18GHz with Three Rectangular Waveguide Interfaces



62WMT WR62 Waveguide Magic Tee 12.4-18GHz with Four Rectangular Waveguide Interfaces



62WMT_BMBPBPB WR62 Waveguide Magic Tee 12.4-18GHz with Four Rectangular Waveguide Interfaces



75WET WR75 Waveguide E-Plane Tee 10-15GHz with Three Rectangular Waveguide Interfaces



75WHT WR75 Waveguide H-Plane Tee 10-15GHz with Three Rectangular Waveguide Interfaces



75WHT/C10 WR75 Waveguide H-Plane Tee 10.7-12.75GHz with Three Rectangular Waveguide Interfaces



90WET WR90 Waveguide E-Plane Tee 8.2-12.4GHz with Three Rectangular Waveguide Interfaces



90WHT WR90 Waveguide H-Plane Tee 8.2-12.4GHz with Three Rectangular Waveguide Interfaces



90WMT WR90 Waveguide Magic Tee 8.2-12.4GHz with Four Rectangular Waveguide Interfaces

About this Datasheet

<ul style="list-style-type: none">● Product Information Product Link: https://www.ainfoinc.com/75wmt-wr75-waveguide-magic-tee-10-15-ghz-fbp120-ubr120 Data subject to change without notice. © A-INFO INC. 2024. All Rights Reserved	<ul style="list-style-type: none">● Contact Us Address: 60 Tesla, Irvine, CA 92618, USA Website: www.ainfoinc.com Email: sales@ainfoinc.com	<ul style="list-style-type: none">● Phone & Fax Phone: +1-949-639-9688 +1-949-639-9608 Fax: +1-949-639-9670
---	--	---