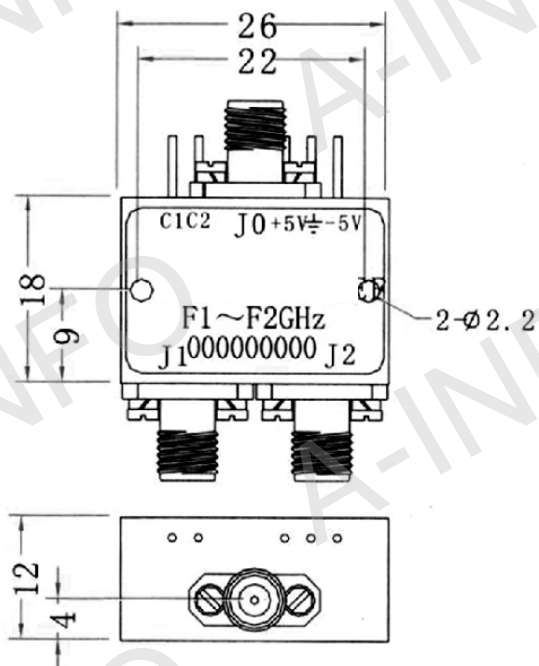


Outline Drawing (Size: mm)



Technical Specification

Item	Technical Specification
Frequency Range(GHz)	0.5-20.0
Insertion Loss(dB)	4.5 Max.
VSWR	2.0 Max.
Isolation(dB)	60 min
Power Handling(W)	0.2
Switching Speed(ns)	50 Max.
Power Supply(V/mA)	+5/50 ; -5/50 Max.
Control	TTL Control
	"0"ON; "1"OFF
TTL Voltage(V)	"0": 0-0.7 "1": 2.5-5
Connector	SMA-Female
Operating Temp.	-55°C ~ +85°C

Test Results

Port	Insertion Loss(dB)	VSWR	Isolation(dB)
J0-J1	3.06	1.78	70.9
J0-J2	3.20	1.77	72.8
J0-J1	2.92	1.87	75.3
J0-J2	3.00	1.92	73.5