



34WMT\_Cu WR34 Waveguide Magic Tee 22-33GHz with Four Rectangular Waveguide Interfaces

WR34 Waveguide Magic Tee Operating From 22 to 33GHz with Four Rectangular Waveguide Interfaces

### Product Information

SKU	34WMT_Cu
-----	----------

### Description

Waveguide magic tee 34WMT\_Cu, operating from 22 to 33GHz with a 0.6dB insertion loss, 40dB isolation, H-Plane VSWR 1.30:1 and E-Plane VSWR 1.50:1. 34WMT\_Cu is a four-ports hybrid coupler or power divider. All the ports have standard WR34 waveguides with the same flanges FBP260(UBR260). The magic tee can be used as a power combiner or a power divider based on the given application's needs.

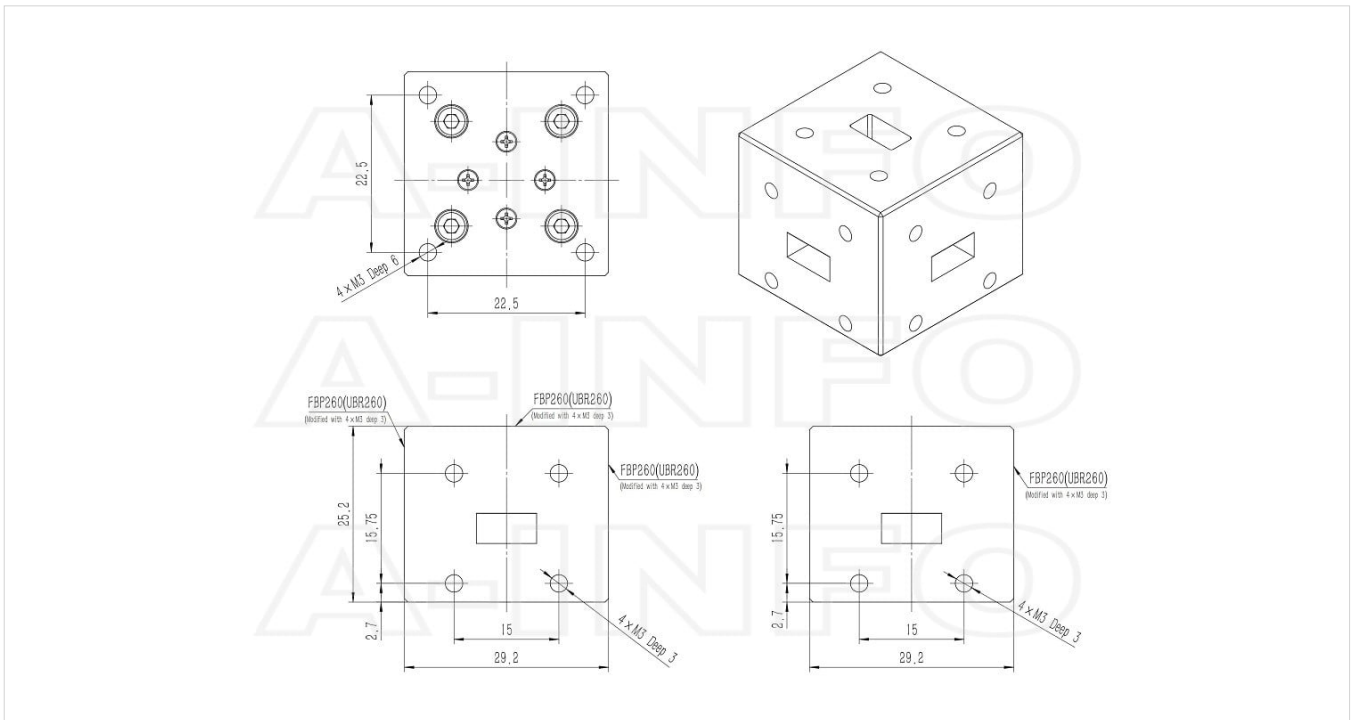
### Technical Specification

Electrical Specification		Interface	
WG Tee Type	Magic Tee	Flange 3 Style	Square
Waveguide Band	K Ka	Flange 3 Type	Cover
Waveguide Type	Rectangular	Flange 3 Designation	FBP260(UBR260)
Waveguide Size EIA WR	WR34	Flange 4 Style	Square
Frequency, Min (GHz)	22	Flange 4 Type	Cover
Frequency, Max (GHz)	33	Flange 4 Designation	FBP260(UBR260)
I.L., Typ (dB)	0.6	Mechanical Specification	
I.L., Max (dB)	1	Body Material	Cu
VSWR, H-Plane, Typ	1.3	Size, L (mm)	29.2
VSWR, H-Plane, Typ	1.30:1	Size, W (mm)	29.2
VSWR, E-Plane, Typ	1.5	Size, H (mm)	25.2
VSWR, E-Plane, Typ	1.50:1	Weight, (kg)	0.2
Isolation, Min (dB)	30	Pressure Sealed	No
Isolation, Typ (dB)	40	Environmental Specification	
Power Handling, CW, (W)	56	Operating Temp. Low (°C)	-55
Power Handling, Peak, (KW)	35	Operating Temp. High (°C)	85
Interface		Storage Temp. Low (°C)	-60
Flange 1 Style	Square	Storage Temp. High (°C)	90
Flange 1 Type	Cover		
Flange 1 Designation	FBP260(UBR260)		
Flange 2 Style	Square		
Flange 2 Type	Cover		
Flange 2 Designation	FBP260(UBR260)		

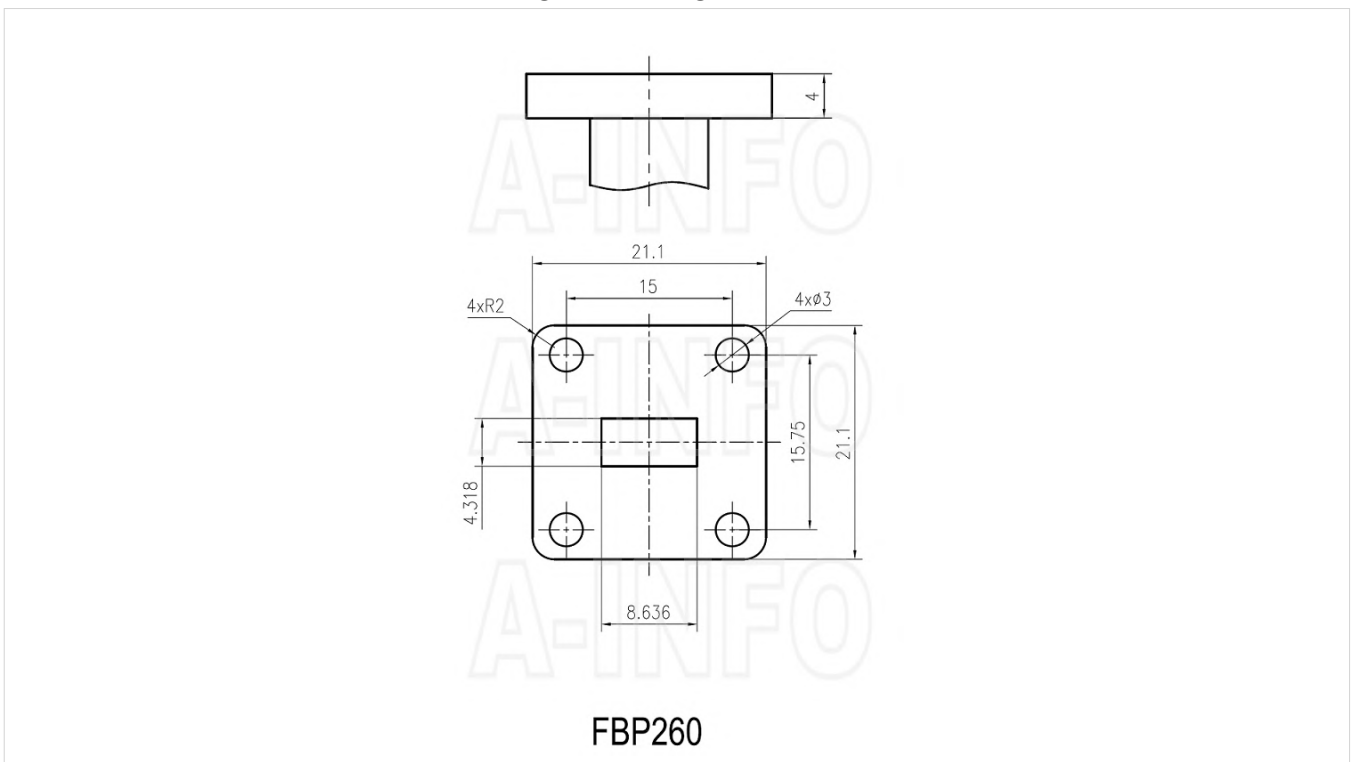
### Additional Information

Application	General Purpose Indoor & Outdoor, Fixed
-------------	---

## Outline Drawing(Size: mm)



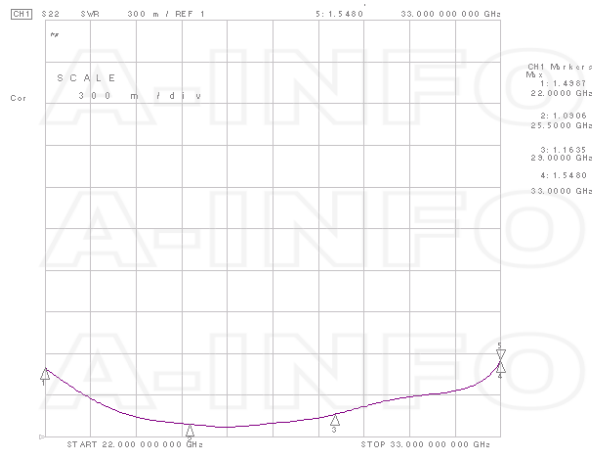
## Flange Drawing(Size: mm)



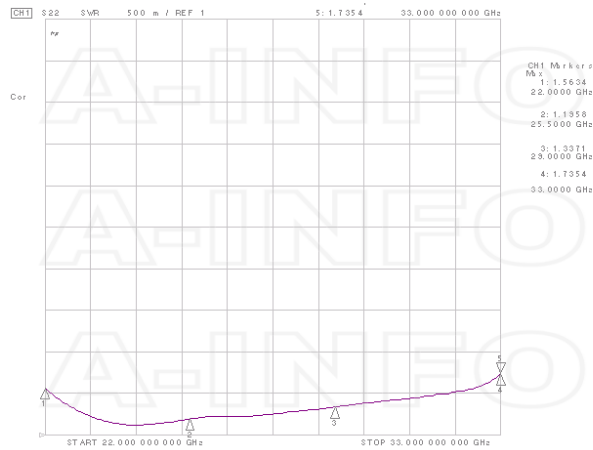
## Typical Test Results

### VSWR

#### H-Plane

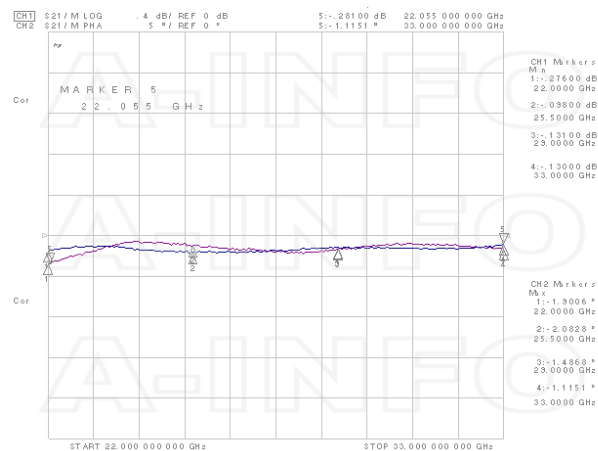


#### E-Plane

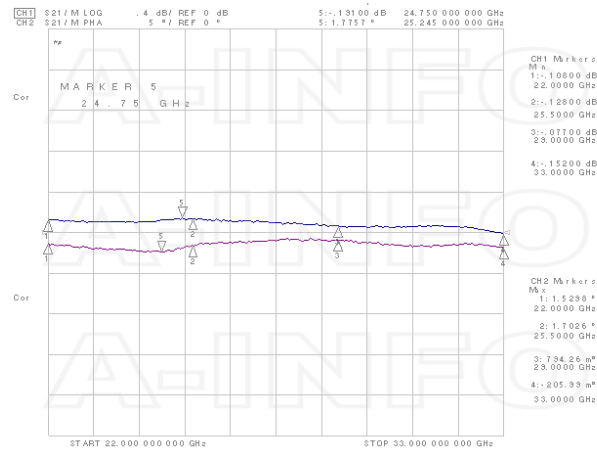


### Unbalance

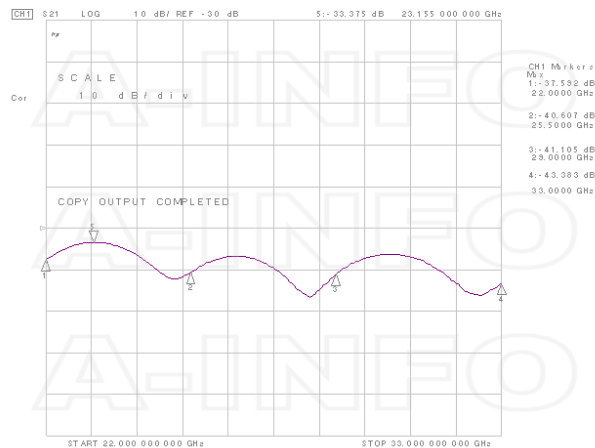
#### H-Plane



### E-Plane



### Isolation



### Similar Products



34WHT\_Cu WR34 Waveguide H-Plane Tee 22-33GHz with Three Rectangular Waveguide Interfaces



34WET\_Cu WR34 Waveguide E-Plane Tee 22-33GHz with Three Rectangular Waveguide Interfaces



42WMT\_Cu WR42 Waveguide Magic Tee 18-26.5GHz with Four Rectangular Waveguide Interfaces



42WHT\_Cu WR42 Waveguide H-Plane Tee 18-26.5GHz with Three Rectangular Waveguide Interfaces



42WET\_Cu WR42 Waveguide E-Plane Tee 18-26.5GHz with Three Rectangular Waveguide Interfaces



28WMT\_Cu WR28 Waveguide Magic Tee 26.5-40GHz with Four Rectangular Waveguide Interfaces



28WHT\_Cu WR28 Waveguide H-Plane Tee 26.5-40GHz with Three Rectangular Waveguide Interfaces



28WET\_Cu WR28 Waveguide E-Plane Tee 26.5-40GHz with Three Rectangular Waveguide Interfaces

## About this Datasheet

<ul style="list-style-type: none"> <li>• <b>Product Information</b> Product Link: <a href="https://www.ainfoinc.com/34wmt-cu-wr34-waveguide-magic-tee-22-33-ghz-fbp260-ubr260">https://www.ainfoinc.com/34wmt-cu-wr34-waveguide-magic-tee-22-33-ghz-fbp260-ubr260</a> Data subject to change without notice. © A-INFO INC. 2024. All Rights Reserved</li> </ul>	<ul style="list-style-type: none"> <li>• <b>Contact Us</b> Address: 60 Tesla, Irvine, CA 92618, USA Website: <a href="http://www.ainfoinc.com">www.ainfoinc.com</a> Email: <a href="mailto:sales@ainfoinc.com">sales@ainfoinc.com</a></li> </ul>	<ul style="list-style-type: none"> <li>• <b>Phone &amp; Fax</b> Phone: +1-949-639-9688 +1-949-639-9608 Fax: +1-949-639-9670</li> </ul>
---	--	--