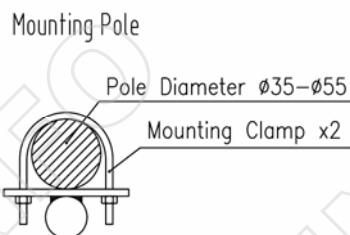
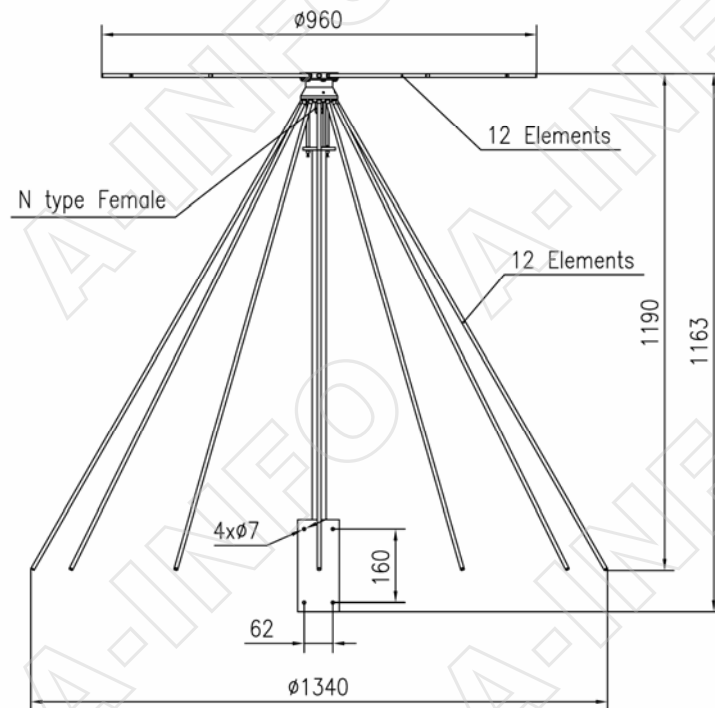


Technical Specification



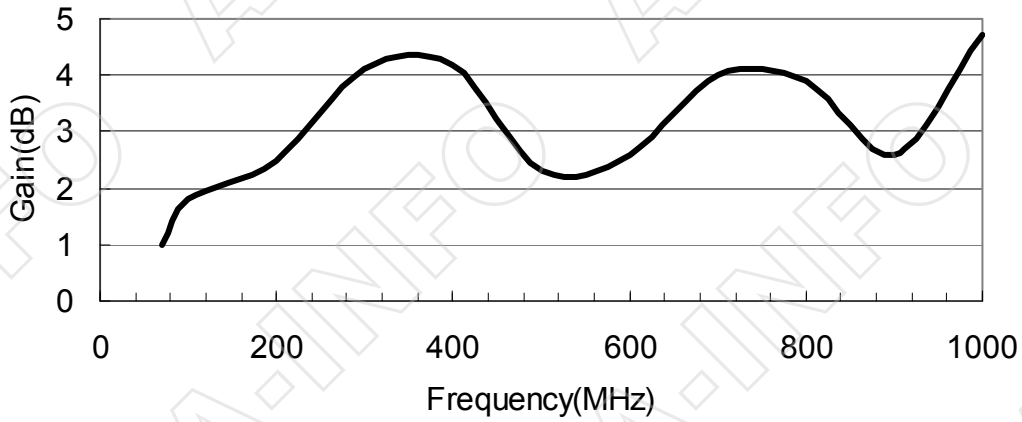
Frequency Range(MHz)	70 - 1000
Gain(dB)	3 Typ.
Polarization	Linear
VSWR	2.0:1 Typ.
Power(W)	300 CW
Connector	N-Female
Size(mm) Φ x H	Φ 1340 x 1163
Net Weight(Kg)	3.5 Around

Outline Drawing (Size: mm)

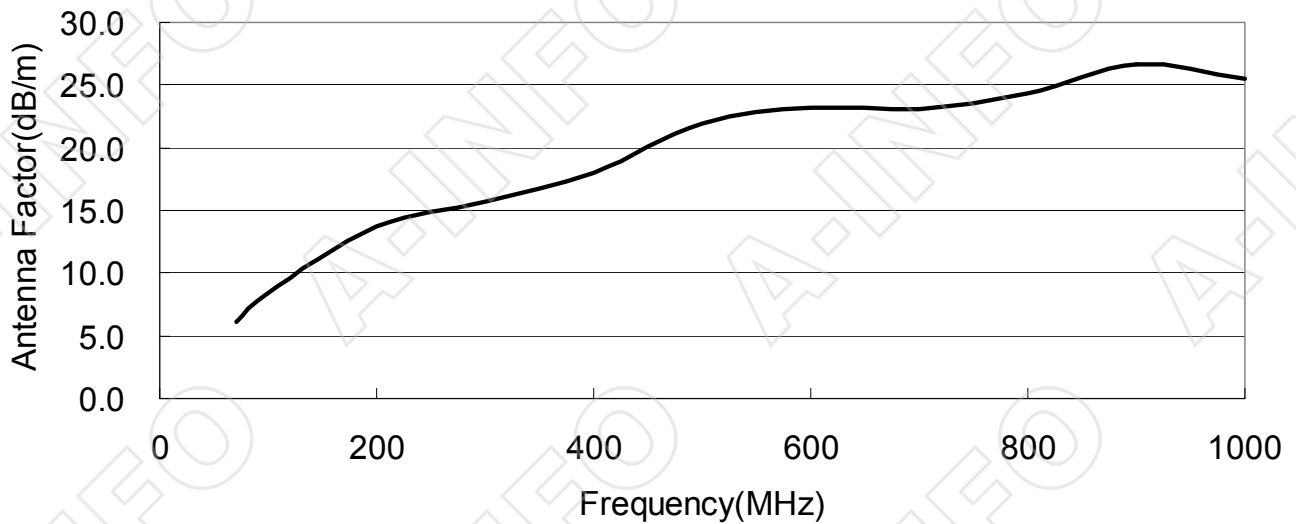


Test Results

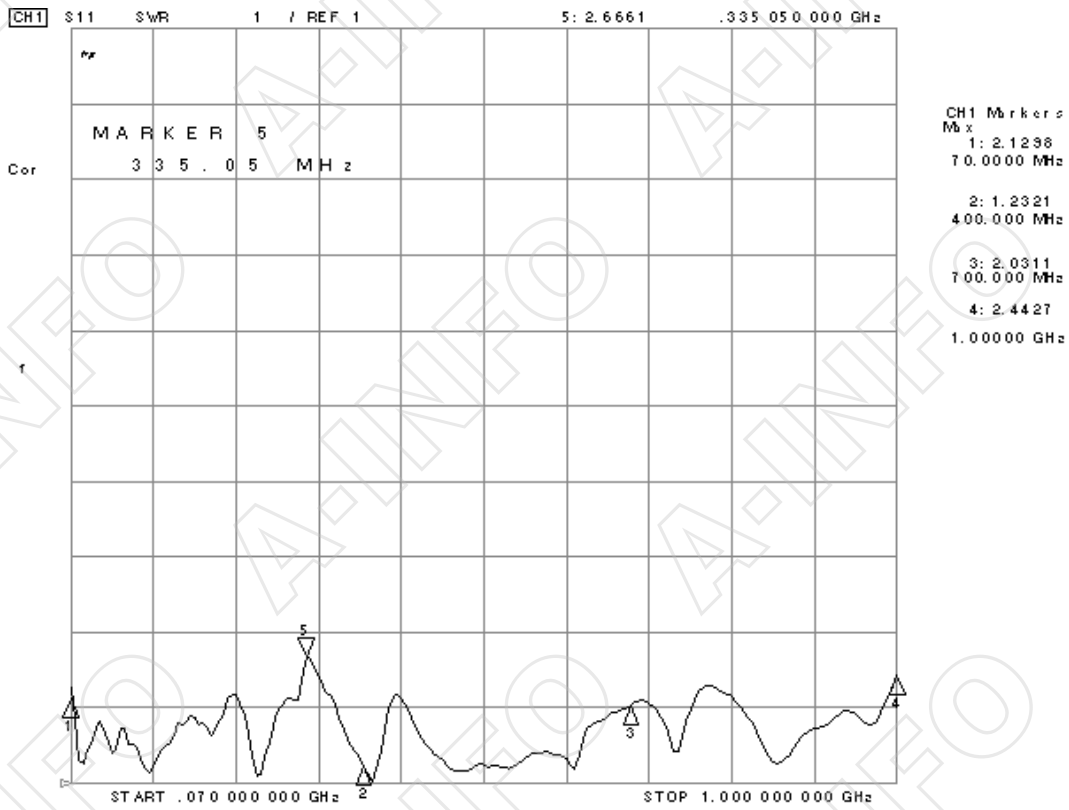
1. Gain



2. Antenna Factor



3. VSWR



4. Pattern

