

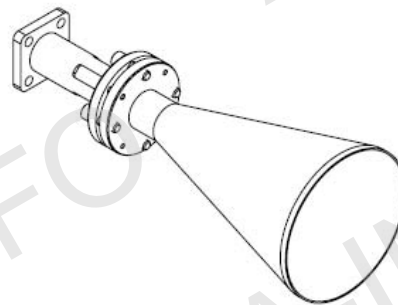
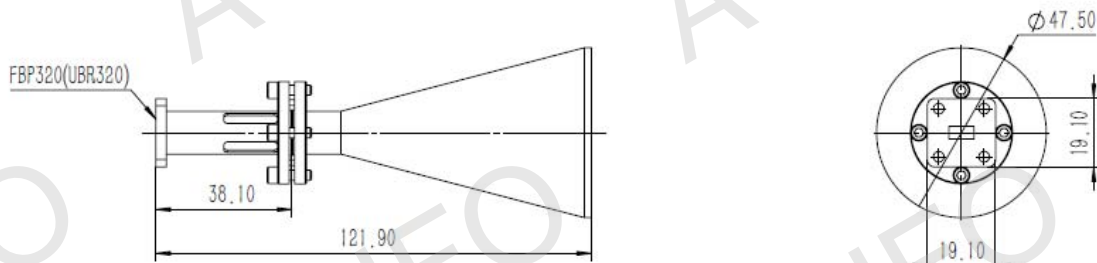
## Technical Specification



Frequency Range(GHz)	26.5 - 40.0
Waveguide	WR28
Gain(dB)	20 Typ.
3dB Beamwidth(deg)	E Plane: 15 Typ.
	H Plane: 13 Typ.
Polarization	Linear
Cross Pol. Isolation(dB)	-30 Typ.
VSWR	A Type: 1.25 Max.
	C Type: 1.5 Max.
Material	Cu
Output	A Type: FBP320(UBR320)
	C Type: 2.92mm-Female or 2.4mm-Female
Size(mm)	A Type: $\Phi 47.5 \times 121.9$
	C Type: $\Phi 47.5 \times 145.9$
Net Weight(Kg)	A Type: 0.12 Around
	C Type: 0.16 Around

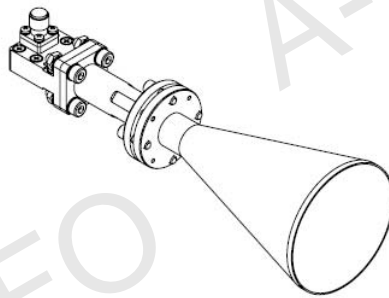
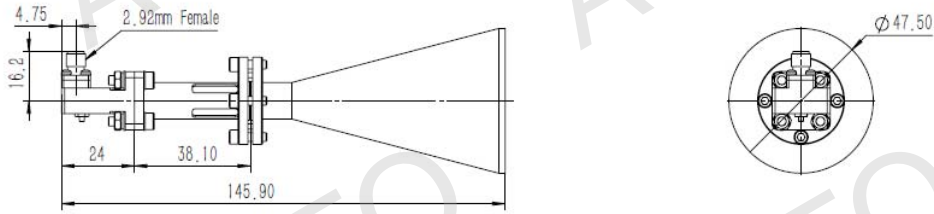
## Outline Drawing (Size: mm)

A Type(With FBP320 Output)



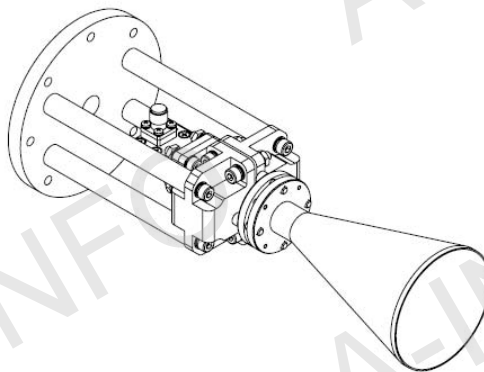
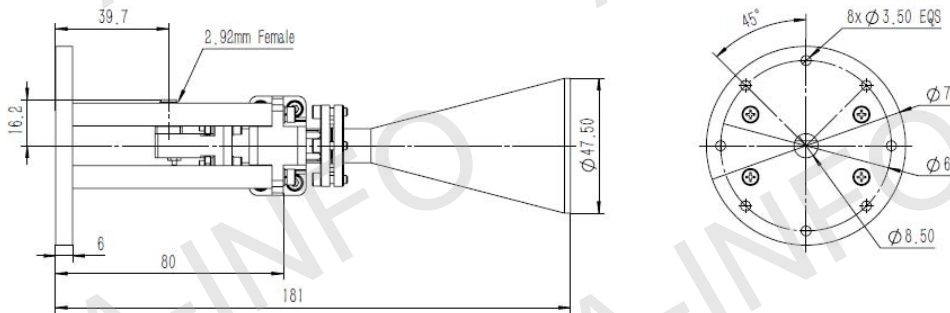
## C Type (With 2.92mm-Female Output)

For 2.4mm-Female output outline drawing, please contact A-INFO.

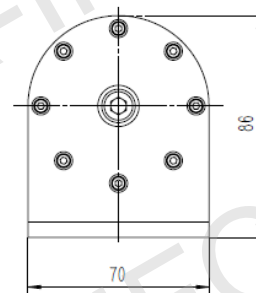
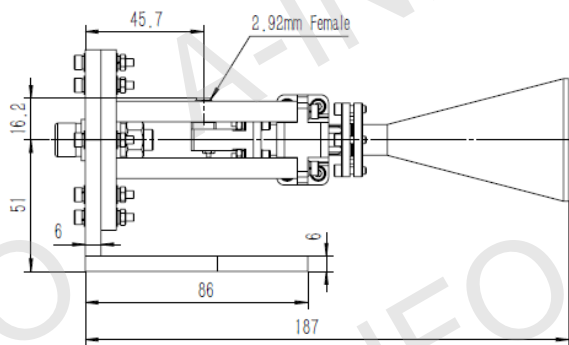
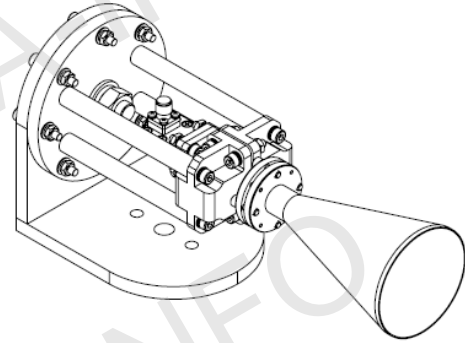
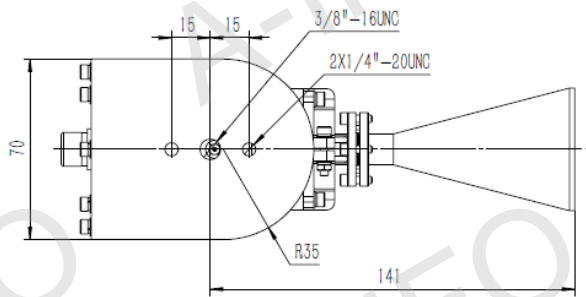


## C Type (With 2.92mm-Female Output & Round Mounting Bracket)

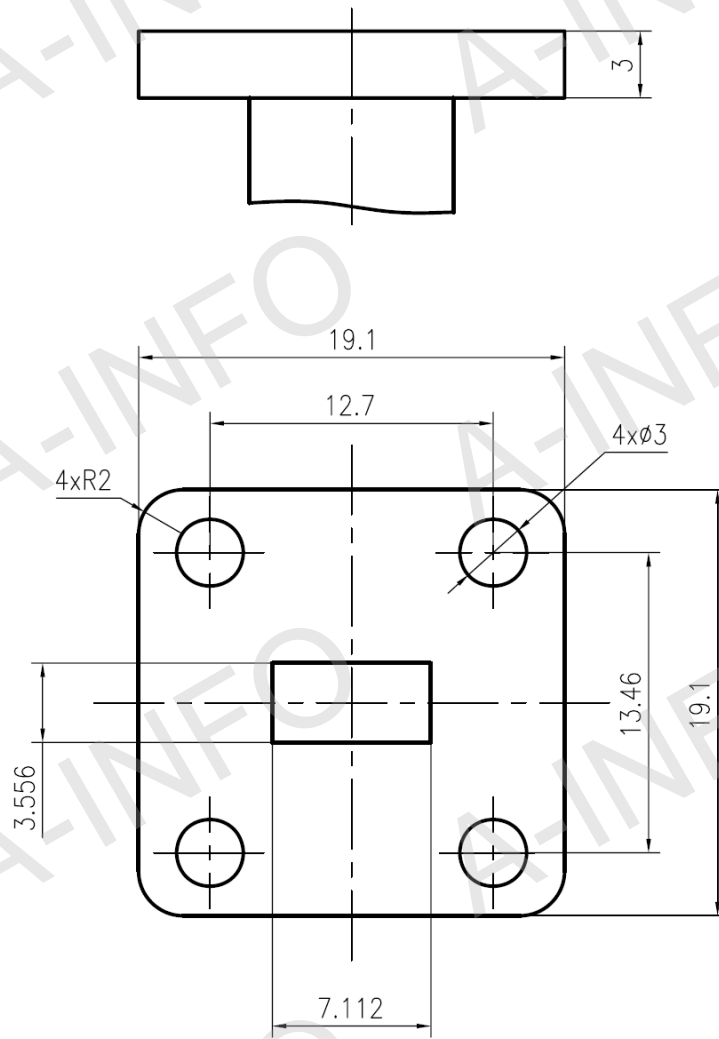
For 2.4mm-Female output outline drawing, please contact A-INFO.



C Type (With 2.92mm-Female Output & L Type Mounting Bracket)  
For 2.4mm-Female output outline drawing, please contact A-INFO.



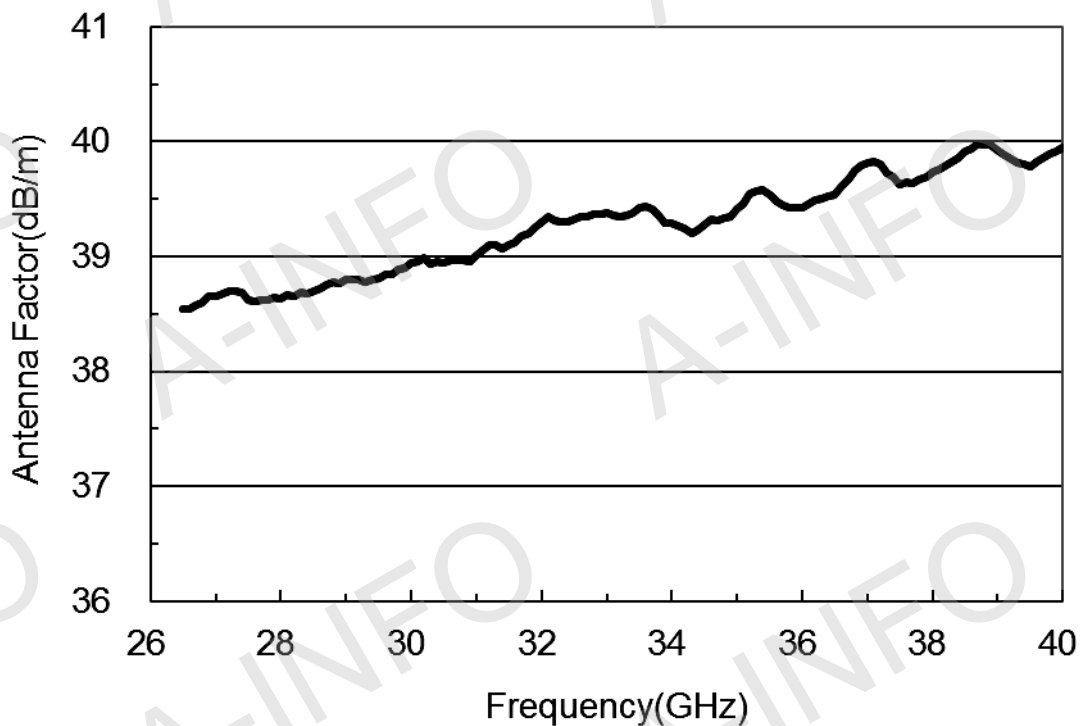
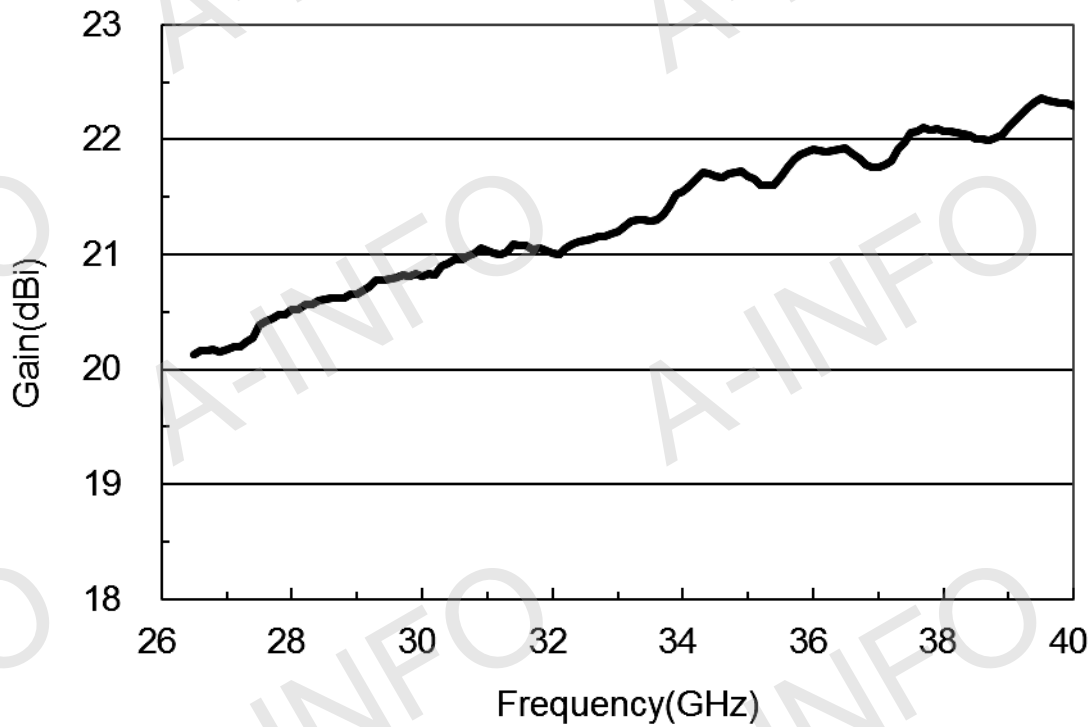
## Flange Drawing (Size: mm)



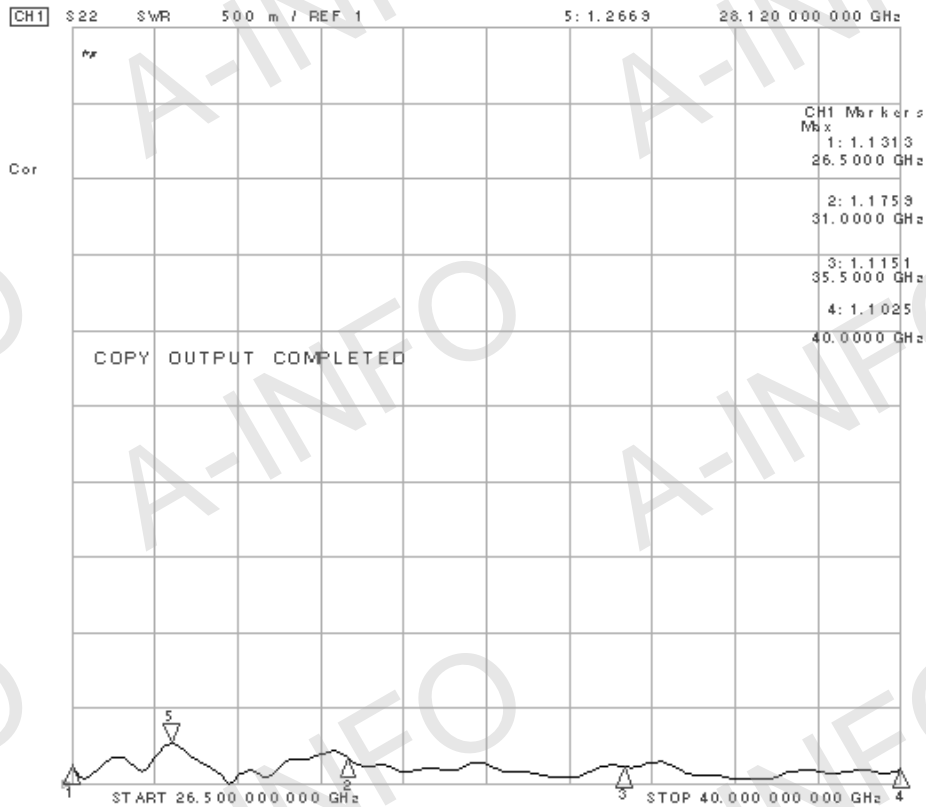
FBP320

## Test Results

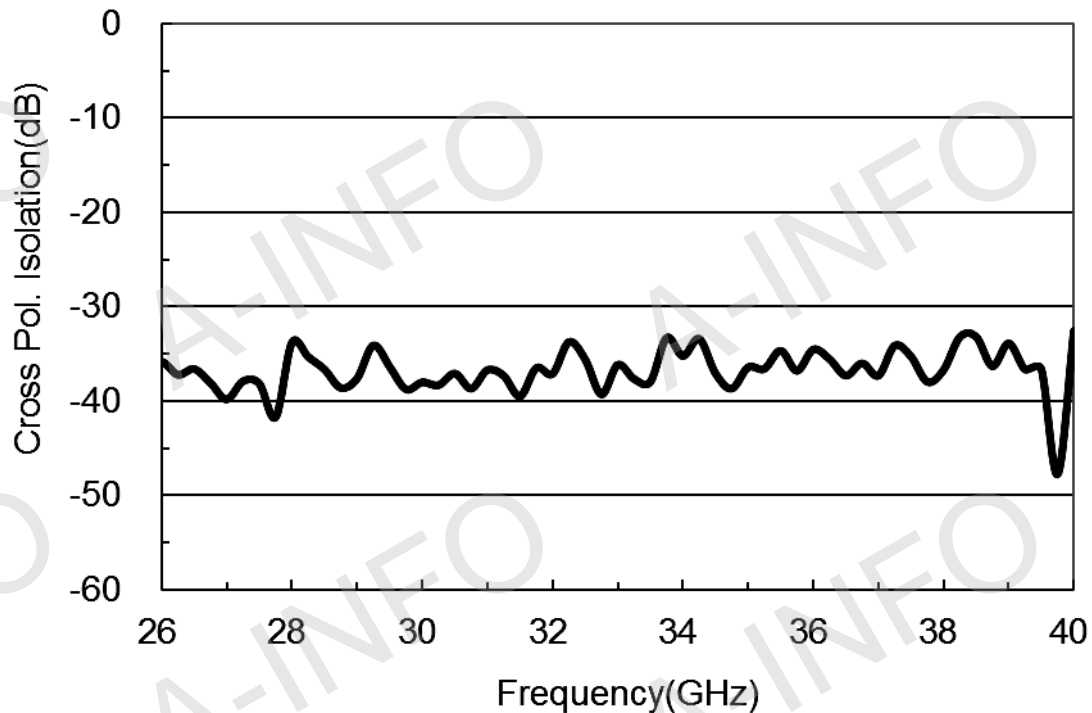
### 1. Gain and Antenna Factor



## 2. VSWR



## 3. Cross Polarization Isolation



## 4. Pattern

