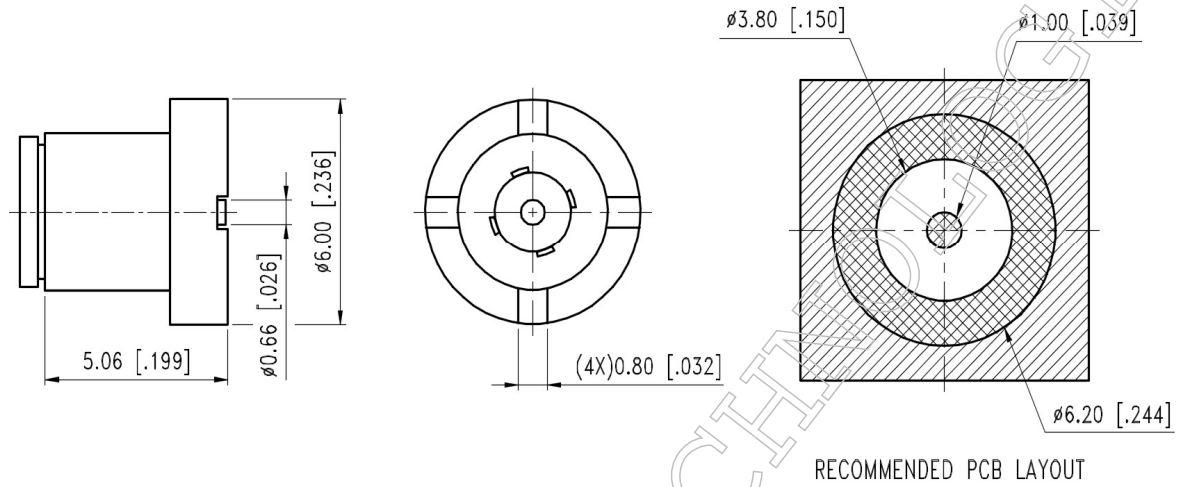


▪ **Outline Dimension Drawing**

Dimensions: mm[inch]



▪ **Material Specification**

Description	Material	Plating
Body	Brass	Gold
Contact	BeCu	Gold
Dielectric	PTFE	

In the effort to improve our products, we reserve the right to make changes judged to be necessary



▪ **Electrical Specification**

Description		Description	
Impedance	50 Ω	Insulation Resistance	5000 MΩ Min.
Frequency	12 GHz	Inner Contact Resistance	6 mΩ Max.
VSWR	1.3 Max.	Outer Contact Resistance	2 mΩ Max.
Insertion Loss	0.4 dB Max.		
Voltage Rating	335 Vrms Max.		
Dielectric Withstanding Voltage	500 Vrms Max.		

▪ **Mechanical Specification**

Description			
Engagement Force			
Smooth Bore	2 lbs. Max.		
Disengagement Force			
Smooth Bore	0.5 lbs. Min.		
Connector Durability	1000 matings min.		
Center Contact			
Axial Force-Mating End	1.5 lbs.		
Axial Force-Opposite End	1.5 lbs.		
Weight	N/A g		

▪ **Environmental Specification**

Description			
Temperature Min.	-55 °C		
Temperature Max.	125 °C		
Hermetic Seal	N/A		

In the effort to improve our products, we reserve the right to make changes judged to be necessary