

284WLPL WR284 Waveguide Low Power Load 2.6-3.95GHz with Rectangular Waveguide Interface



WR284 Waveguide Low Power Load Operating From 2.6 to 3.95GHz with Rectangular Waveguide Interface

Product Information

SKU	284WLPL
-----	---------

Description

Waveguide low power load 284WLPL, operating from 2.6 to 3.95GHz and low VSWR 1.05:1 284WLPL covers the WR284 sub waveguide band and comes with one flange FDP32(UDR32). It can handle 10W continuously and 10KW peak power. The WLPL series are for general version, low VSWR terminations for system application. The typical applications include system or test bench set-ups and small moderate power dummy loads.

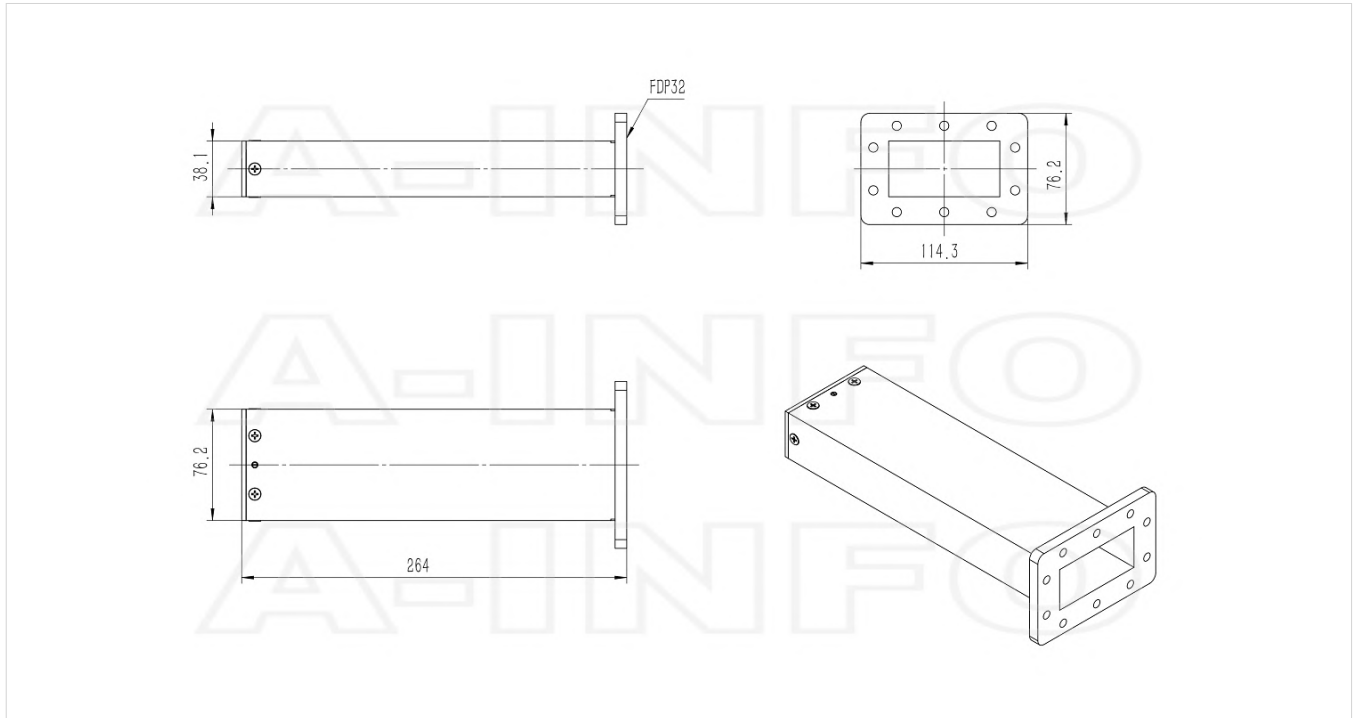
Technical Specification

Electrical Specification		Mechanical Specification	
WG Load Type	Low Power	Body Material	Al
Waveguide Band	S	Finish	Chemical Conversion Coating, Gray Paint
Waveguide Type	Rectangular	Size, L (mm)	264
Waveguide Size EIA WR	WR284	Size, W (mm)	114.3
Frequency, Min (GHz)	2.6	Size, H (mm)	76.2
Frequency, Max (GHz)	3.95	Weight, (kg)	0.9
VSWR, Typ	1.04:1	Pressure Sealed	No
VSWR, Max	1.05:1	Environmental Specification	
Power Handling, CW, (W)	10	Operating Temp. Low (°C)	-55
Power Handling, Peak, (KW)	10	Operating Temp. High (°C)	85
Interface		Storage Temp. Low (°C)	-60
Flange Style	Rectangular	Storage Temp. High (°C)	90
Flange Type	Cover		
Flange Designation	FDP32(UDR32)		

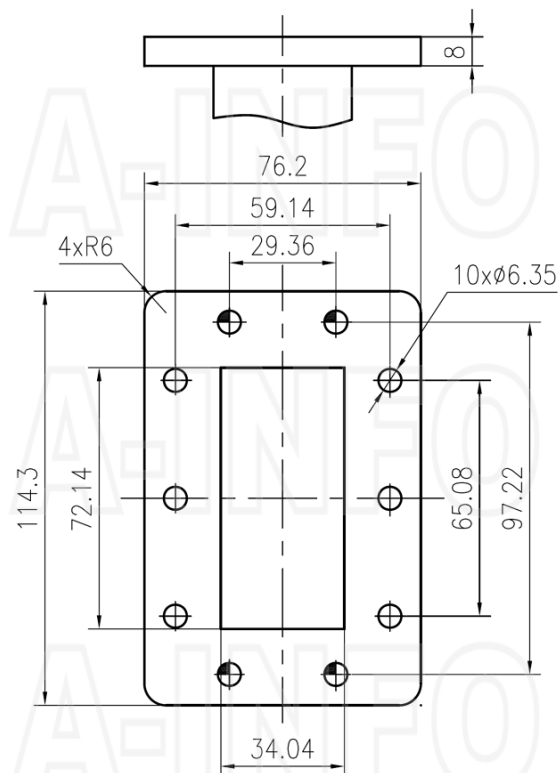
Additional Information

Application	General Purpose Indoor & Outdoor, Fixed
-------------	---

Outline Drawing



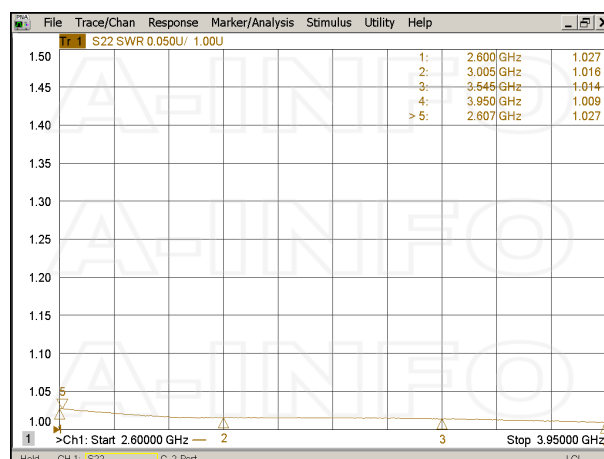
Flange Drawing



FDP32

Typical Test Results

VSWR



About this Datasheet

<ul style="list-style-type: none">● Product Information <p>Product Link: https://www.ainfoinc.com/284wlp-wr284-waveguide-low-power-load-2-6-3-95-ghz-fdp32-udr32 Data subject to change without notice. © A-INFO INC. 2024. All Rights Reserved</p>	<ul style="list-style-type: none">● Contact Us <p>Address: 60 Tesla, Irvine, CA 92618, USA</p> <p>Website: www.ainfoinc.com</p> <p>Email: sales@ainfoinc.com</p>	<ul style="list-style-type: none">● Phone & Fax <p>Phone: +1-949-639-9688 +1-949-639-9608</p> <p>Fax: +1-949-639-9670</p>
--	---	--