

340WPL WR340 Waveguide Precision Load 2.2-3.3GHz with Rectangular Waveguide Interface



WR340 Waveguide Precision Load Operating From 2.2 to 3.3GHz with Rectangular Waveguide Interface

### Product Information

SKU	340WPL
-----	--------

### Description

Waveguide precision load 340WPL, operating from 2.2 to 3.3GHz and low VSWR 1.025:1. 340WPL covers the 340WPL sub waveguide band and comes with one flange FDP26(UDR26). It can handle 12 continuously and 12 peak power. A-INFO Precision Flange(APF) is available for this series. The WPL series low power waveguide fixed terminations are precision, low VSWR terminations suited to a wide variety of precision laboratory applications. The typical applications include full band one-Interface calibration and full two-Interface, isolation calibration. TRM (Thru-Reflect-Match) and SSLT (Short-Short-Load- Thru) calibration methods are supInterfaceed.

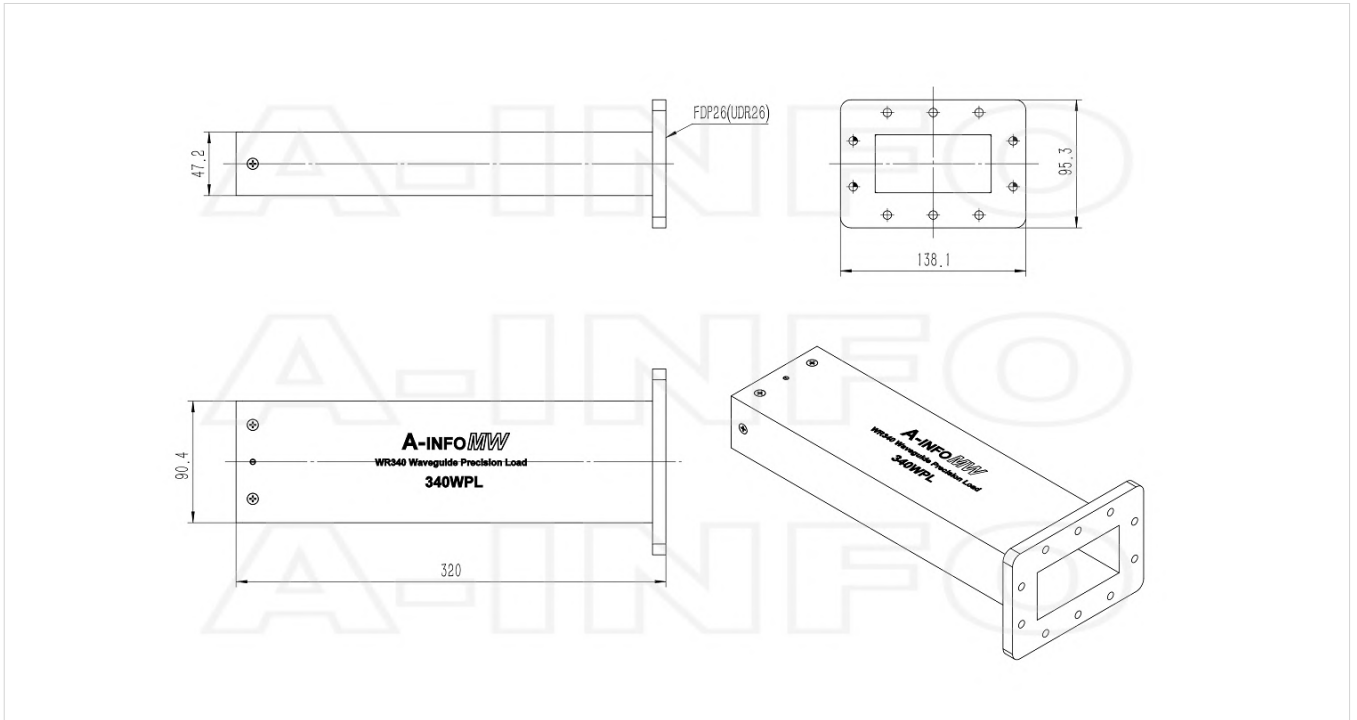
### Technical Specification

Electrical Specification		Mechanical Specification	
WG Load Type	Precision	Body Material	Al
Waveguide Band	S	Size, L (mm)	320
Waveguide Type	Rectangular	Size, W (mm)	138.1
Waveguide Size EIA WR	WR340	Size, H (mm)	95.3
Frequency, Min (GHz)	2.2	Weight, (kg)	1.5
Frequency, Max (GHz)	3.3	Pressure Sealed	No
VSWR, Typ	1.02:1	Environmental Specification	
VSWR, Max	1.025:1	Operating Temp. Low (°C)	-55
Power Handling, CW, (W)	12	Operating Temp. High (°C)	85
Power Handling, Peak, (KW)	12	Storage Temp. Low (°C)	-60
Interface		Storage Temp. High (°C)	90
Flange Style	Rectangular		
Flange Type	Cover		
Flange Designation	FDP26(UDR26)		

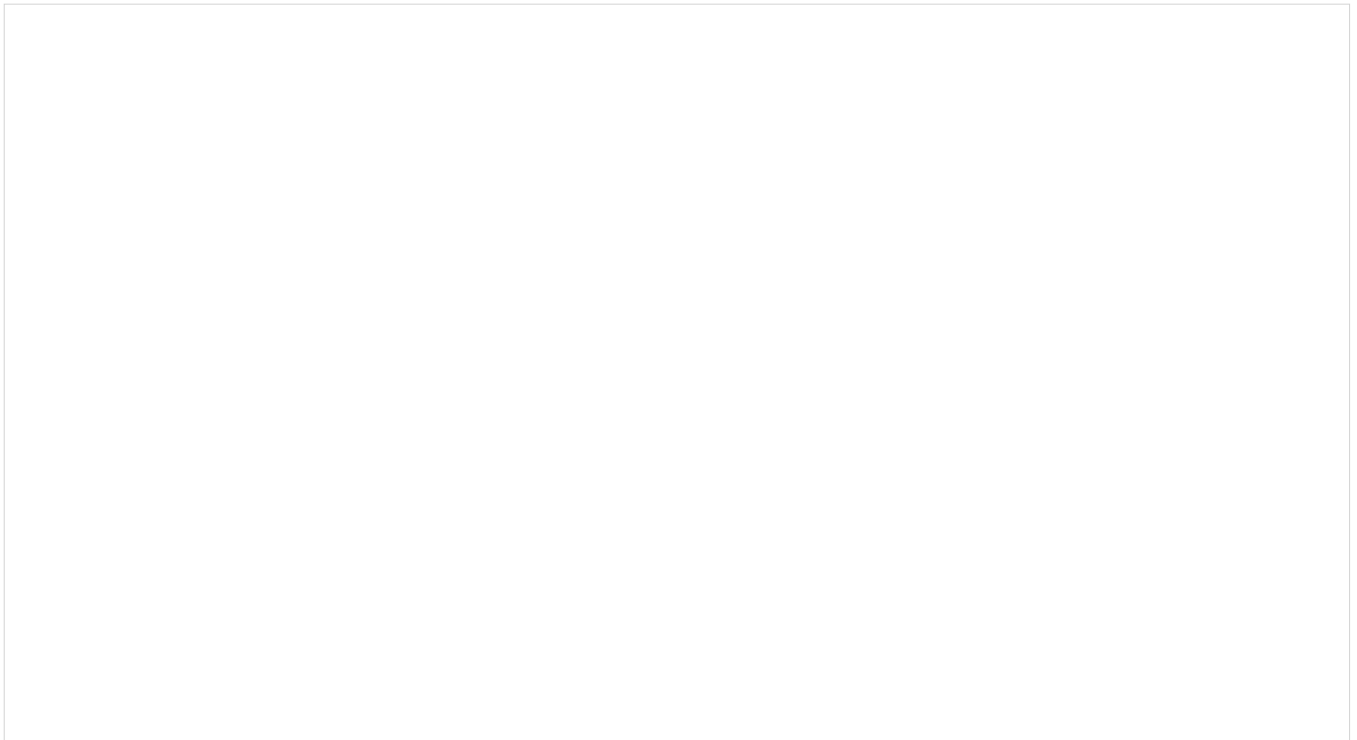
## Additional Information

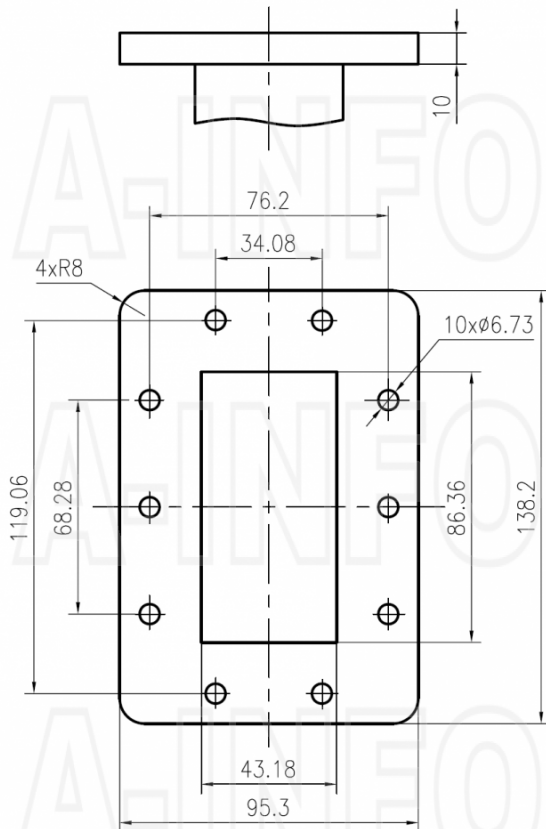
Application	General Purpose Indoor & Outdoor, Fixed
-------------	---

## Outline Drawing



## Flange Drawing

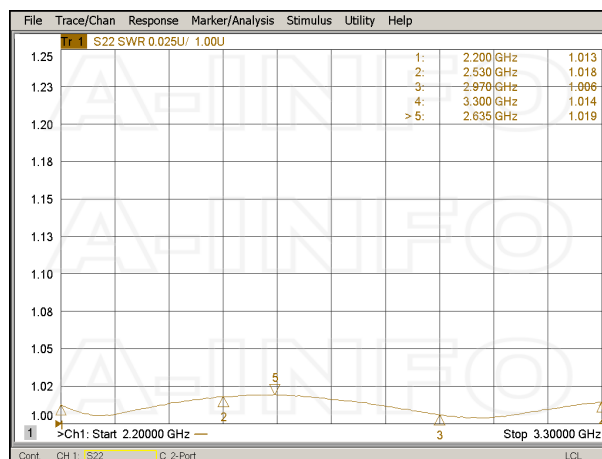




FDP26

### Typical Test Results

#### VSWR



## About this Datasheet

<ul style="list-style-type: none"><li>● Product Information</li></ul> Product Link: <a href="https://www.ainfoinc.com/340wpl-wr340-waveguide-precision-load-2-2-3-3-ghz-fdp26-udr26">https://www.ainfoinc.com/340wpl-wr340-waveguide-precision-load-2-2-3-3-ghz-fdp26-udr26</a> Data subject to change without notice. © A-INFO INC. 2024. All Rights Reserved	<ul style="list-style-type: none"><li>● Contact Us</li></ul> Address: 60 Tesla, Irvine, CA 92618, USA  Website: <a href="http://www.ainfoinc.com">www.ainfoinc.com</a>  Email: <a href="mailto:sales@ainfoinc.com">sales@ainfoinc.com</a>	<ul style="list-style-type: none"><li>● Phone &amp; Fax</li></ul> Phone: +1-949-639-9688 +1-949-639-9608  Fax: +1-949-639-9670
---	---	---