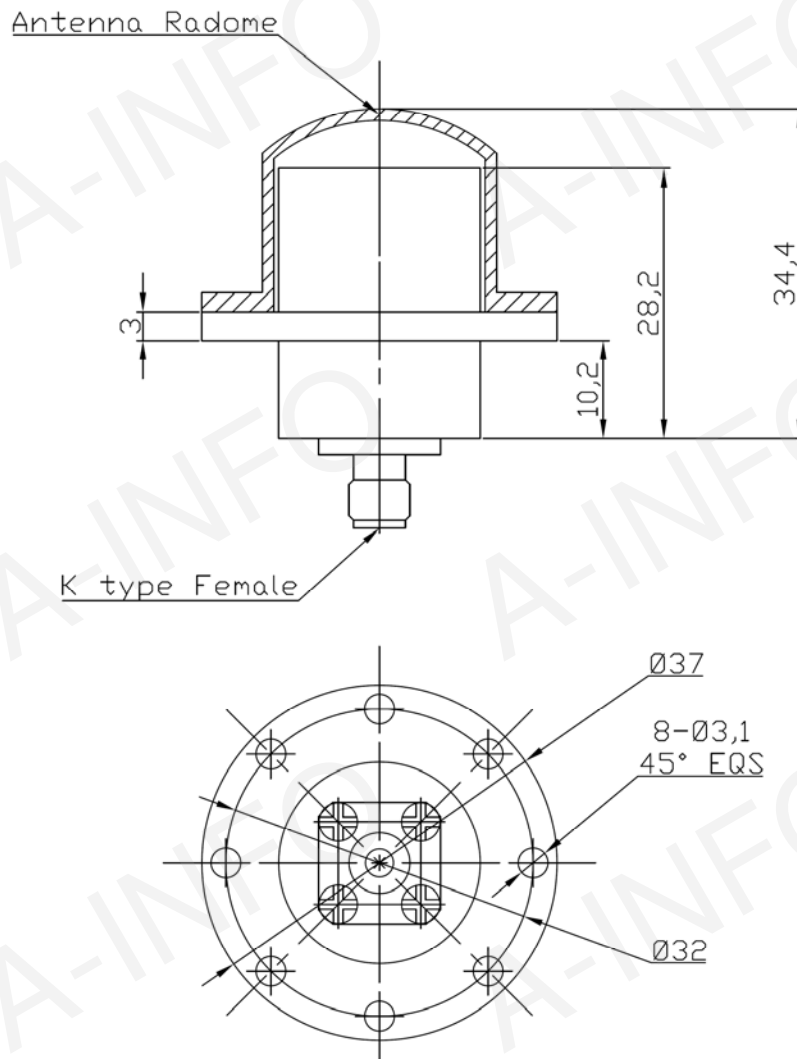


Technical Specification



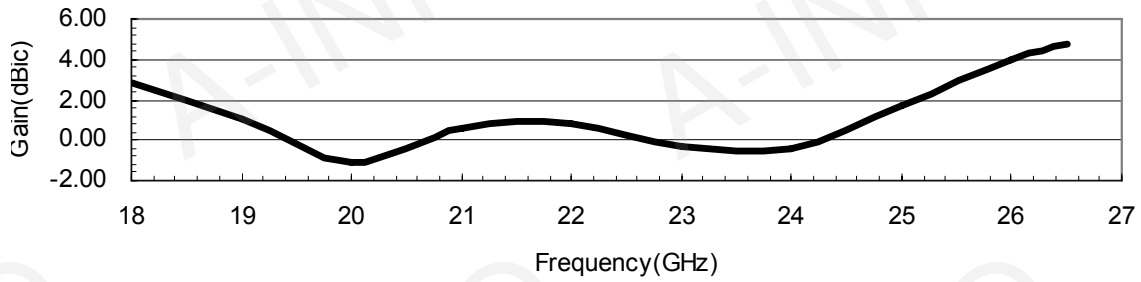
Polarization	LHCP or RHCP
Frequency Range(GHz)	18.0 - 26.5
Gain(dBic)	2.84 @ 18GHz
	0.85 @ 22GHz
	4.73 @ 26.5GHz
Axial Ratio(dB)	3.5 Max
3dB Beamwidth(deg)	E: 100 - 45
	H: 90 - 55
VSWR	2.0 : 1 Typ.
	3.0 : 1 Max
Connector	2.92mm-Female
Size(mm)	Φ37 x 34.4
Net Weight(Kg)	0.05 Around

Outline Drawing (Size: mm)

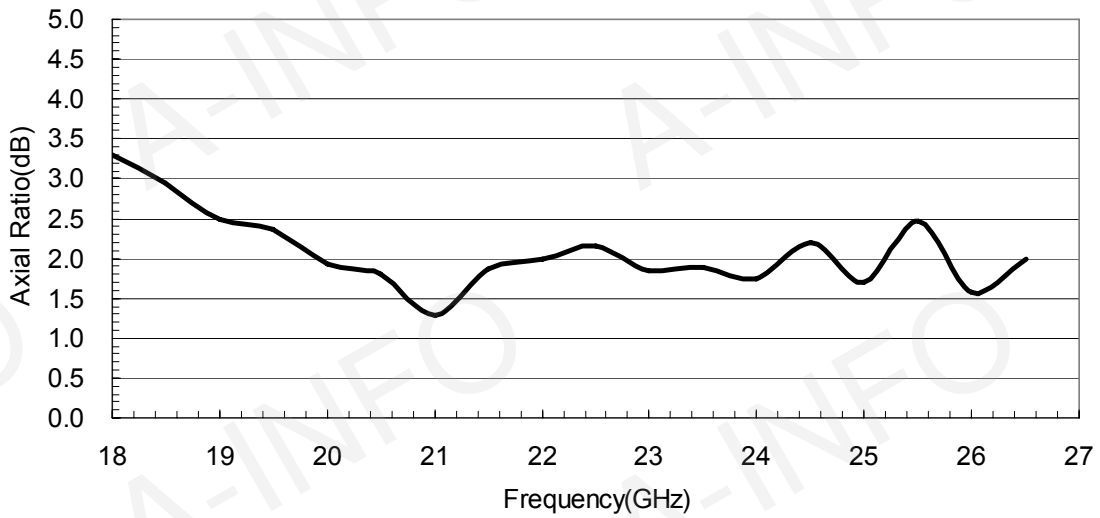


Test Results

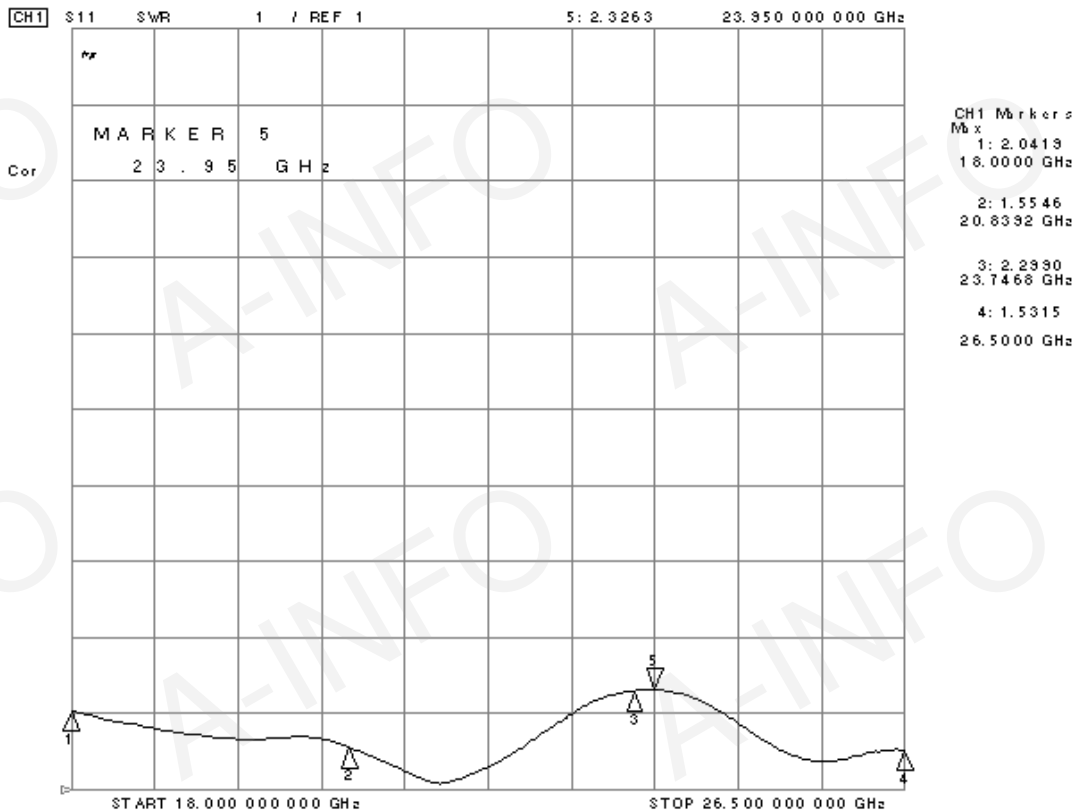
1. Gain



2. Axial Ratio



3. VSWR



4. Pattern

