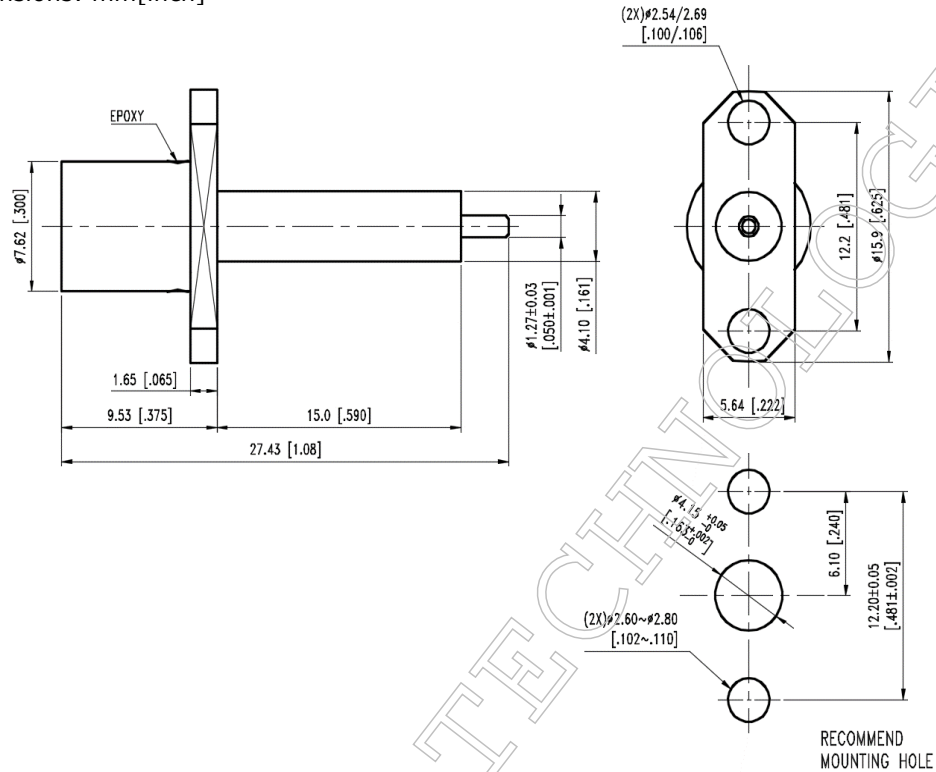


▪ **Outline Dimension Drawing**

Dimensions: mm[inch]



▪ **Material Specification**

Description	Material	Plating
Body	Stainless Steel	Passivate
Contact	BeCu	Gold
Contact Hood	Brass	Gold
Dielectric	PTFE	
Spring Fingers	BeCu	Gold

In the effort to improve our products, we reserve the right to make changes judged to be necessary



▪ **Electrical Specification**

Description		Description	
Impedance	50 Ω	Insulation Resistance	5000 MΩ Min.
Frequency	18 GHz	Inner Contact Resistance	6 mΩ Max.
VSWR	1.3 Max.	Outer Contact Resistance	2 mΩ Max.
Insertion Loss	0.25 dB Max.		
Voltage Rating	375 Vrms Max.		
Dielectric Withstanding Voltage	1500 Vrms Max.		

▪ **Mechanical Specification**

Description		Description	
Center Contact Retention	6 lbs. Min.		
Engagement Force	3 lbs. Max.		
Disengagement Force	1.5 lbs. Max.		
Connector Durability	500 matings min.		
Weight	N/A g		

▪ **Environmental Specification**

Description		Description	
Temperature Min.	-65 °C		
Temperature Max.	125 °C		
Hermetic Seal	N/A		

In the effort to improve our products, we reserve the right to make changes judged to be necessary